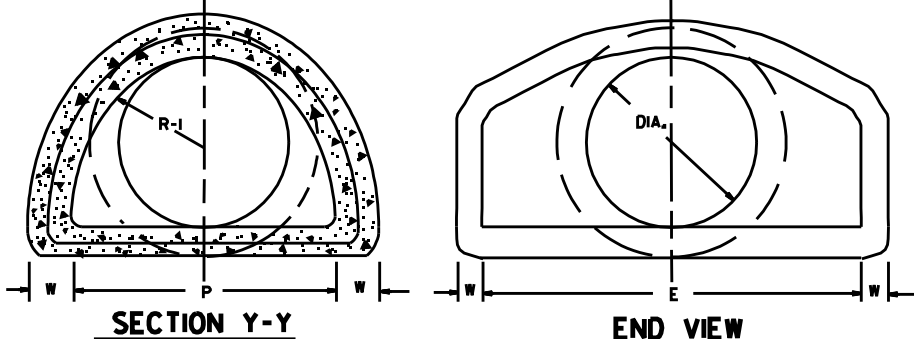


END SECTION FOR REINFORCED CONCRETE PIPE CULVERTS

TABLE OF DIMENSIONS

DIA.	WALL	A	B	C	D	E	S	DIA. + 1"	P	R-1	R-2	G-T	WT.	h
18"	2 1/2"	9"	2'-3"	3'-10"	6'-1"	3'-0"	3#1	19"	29"	15 1/2"	12"	2"	1000	1'-0 1/2"
24"	3"	9 1/2"	3'-7 1/2"	2'-6"	6'-1 1/2"	4'-0"	3#1	25"	33 3/8"	16 1/4"	14"	2 1/2"	1600	1'-1 1/2"
30"	3 1/2"	1'-0"	4'-6"	1'-7 1/2"	6'-1 3/4"	5'-0"	3#1	31"	37"	18 1/2"	15"	3 1/4"	1940	1'-4 1/2"
36"	4"	1'-3"	5'-3"	2'-10 1/4"	8'-1 1/2"	6'-0"	3#1	37"	47 1/4"	24 1/4"	20"	3 1/2"	4100	1'-8"
42"	4 1/2"	1'-9"	5'-3"	2'-11"	8'-2"	6'-6"	3#1	43"	53 1/2"	27 1/2"	22"	3 1/2"	5380	2'-2 1/2"
48"	5"	2'-0"	6'-0"	2'-2"	8'-2"	7'-0"	3#1	49"	56 1/2"	28 1/2"	22"	3 1/2"	6550	2'-6"
54"	5 1/2"	2'-4"	6'-6"	1'-10"	8'-4"	7'-6"	3#1	55"	65 1/2"	33 1/8"	24"	4"	8750	2'-10 1/2"
60"	6"	2'-10"	6'-6"	1'-10"	8'-4"	8'-0"	3#1	61"	72 1/2"	36 1/4"	24"	4"	9270	3'-5"
72"	7"	3'-10"	6'-6"	1'-10"	8'-4"	9'-0"	3#1	73"	77 1/4"	38 3/4"	24"	5"	13250	4'-6"



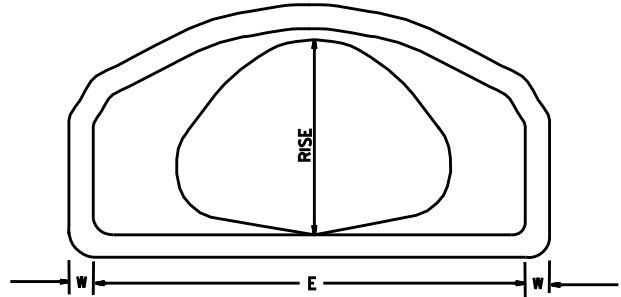
SECTION Y-Y **END VIEW**

NOTE: TONGUE END ON UPSTREAM SECTION
GROOVE END ON DOWNSTREAM SECTION

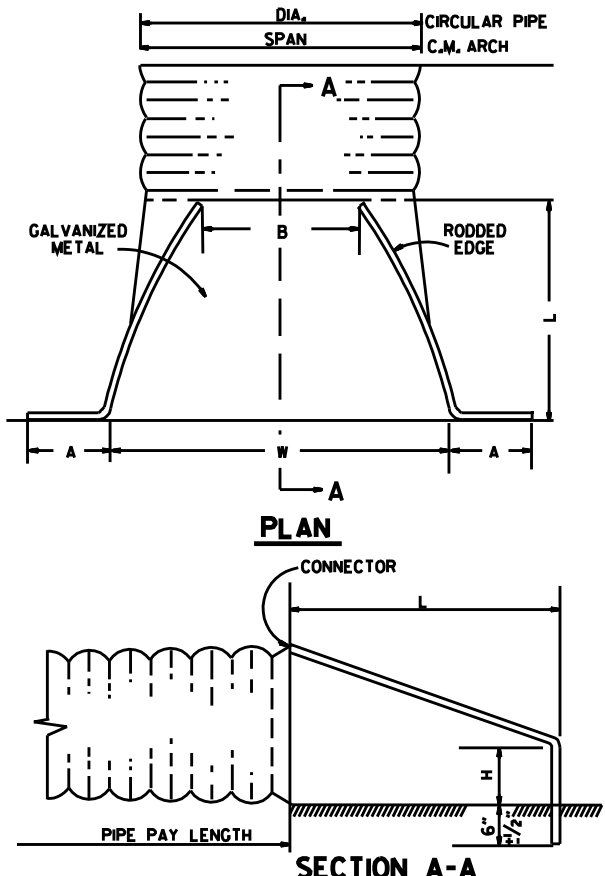
ARCH PIPE

EQUIV. DIA.	SPAN		RISE		W	A	B	C	D	E	P	R2	G-T	S
	AASHTO M 206	AHD NOMINAL	AASHTO M 206	AHD NOMINAL										
15	18	18	11	11	2"	4"	2'-0"	4'-0"	6'-0"	3'-0"	29"	12"	1 1/2"	2 1/2#1
18	22	22	13 1/2	14	2 1/2"	5"	2'-0"	4'-1"	6'-1"	3'-6"	32 1/8"	13"	2 1/2"	2 1/2#1
21	26	26	15 1/2	16	3"	7"	2'-3"	3'-10"	6'-1"	4'-0"	34 1/8"	14"	2 1/2"	2 1/2#1
24	28 1/2	29	18	18	3"	9"	2'-3"	3'-10"	6'-1"	5'-0"	36 1/8"	15"	2 1/2"	2 1/2#1
30	36 1/4	36	22 1/2	23	3 1/2"	10"	3'-1"	3'-0 1/2"	6'-1 1/2"	6'-0"	47 1/4"	20"	3"	2 1/2#1
36	43 1/4	44	26 1/2	27	4"	10 1/2"	4'-0"	2'-1 1/2"	6'-1 1/2"	6'-6"	54 1/4"	22"	3 1/2"	2 1/2#1
42	51 1/8	51	31 1/2	31	4 1/2"	11 1/2"	4'-7"	1'-10 1/4"	6'-5 1/4"	7'-2"	59 1/2"	23"	3 3/4"	2 1/2#1
48	58 1/2	59	36	36	5"	1'-3"	5'-3"	2'-10 1/4"	8'-1 1/4"	7'-10"	70 1/4"	24"	4 1/4"	2 1/2#1
54	65	65	40	40	5 1/2"	1'-7"	5'-3"	2'-11"	8'-2"	8'-6"	72 1/4"	24"	4 1/4"	2 1/2#1
60	73	73	45	45	6"	1'-10"	5'-6"	2'-8"	8'-2"	9'-0"	77 1/4"	24"	5"	2 1/2#1

* THE MEASURED SPAN AND RISE SHALL NOT VARY MORE THAN ± 2 PER CENT FROM THE VALUES SPECIFIED BY AASHTO M 206.



END VIEW CONCRETE ARCH PIPE



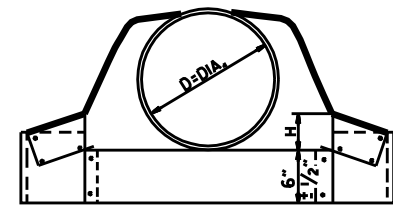
SECTION A-A

NOTE: ALTERNATE CONNECTIONS TO THE PIPE CULVERTS, IN ACCORDANCE WITH MANUFACTURER'S STANDARD PRACTICES, MAY BE MADE SUBJECT TO THE APPROVAL OF THE ENGINEER.

END SECTIONS FOR CORRUGATED METAL PIPE CULVERTS

CIRCULAR PIPE

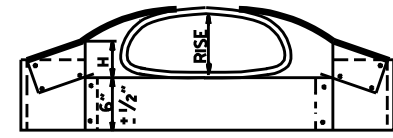
D. DIA.	GAUGE	A	B. MAX.	H	L	W	S
12	16	6	6	6	21	24	2 1/2#1
15	16	7	8	6	26	30	2 1/2#1
18	16	8	10	6	31	36	2 1/2#1
21	16	9	12	6	36	42	2 1/2#1
24	16	10	13	6	41	48	2 1/2#1
30	14	12	16	8	51	60	2 1/2#1
36	14	14	19	9	60	72	2 1/2#1
42	12	16	22	11	69	84	2 1/2#1
48	12	18	27	12	78	90	2 1/2#1
54	12	18	30	12	84	102	2#1
60	12	18	33	12	87	114	1 1/2#1
66	12	18	36	12	87	120	1 1/2#1
72	12	18	39	12	87	126	1 1/3#1



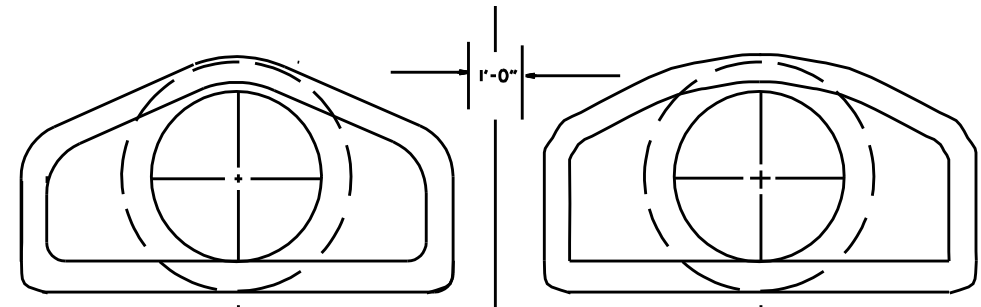
CIRCULAR PIPE

C.M. ARCH PIPE

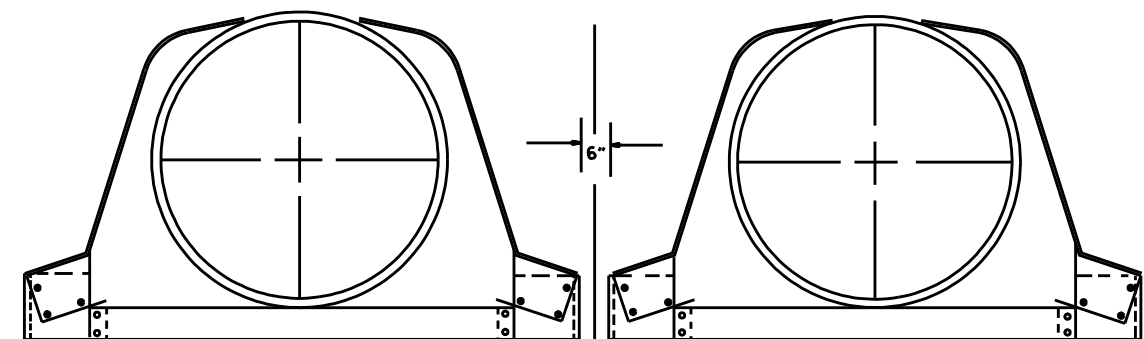
EQUIV. DIA.	SPAN	RISE	A	B MAX.	H	L	W	S	GAUGE
15"	17	13	7	9	6	19	30	2 1/2#1	16
18"	21	15	7	10	6	23	36	2 1/2#1	16
21"	24	18	8	12	6	28	42	2 1/2#1	16
24"	28	20	9	14	6	32	48	2 1/2#1	16
30"	35	24	10	16	6	39	60	2 1/2#1	14
36"	42	29	12	18	8	46	75	2 1/2#1	14
42"	49	33	13	21	9	53	85	2 1/2#1	12
48"	57	38	18	26	12	63	90	2 1/2#1	12
54"	64	43	18	30	12	70	102	2 1/2#1	12
60"	71	47	18	33	12	77	114	2 1/2#1	12



C.M. ARCH PIPE



MULTIPLE R.C. PIPE CULVERTS



MULTIPLE C.M. PIPE CULVERTS

10-18-96	REVISED ASTM REF. TO AASHTO		
5-15-80	REVISED DISTANCE BETWEEN MULTIPLE R.C.P. F.E.S.	664-5-15-80	ARKANSAS STATE HIGHWAY COMMISSION
7-14-78	C.M. ARCH SIZES TO CONFORM WITH AASHTO SIZES	752-7-14-78	
8-22-75	ADDED MULTIPLE PIPE CULVERTS	517-8-22-75	FLARED END SECTION
12-5-74	REMOVED NOTE RE REINF. FOR R.C. F.E.S.	500-12-5-74	
5-24-73	CMP END SECTION, SHOW PIPE PAY LENGTH	627-5-24-73	
10-2-72	REVISED AND REDRAWN	760-10-2-72	STANDARD DRAWING FES-2
DATE	REVISION	FIG. NO.	