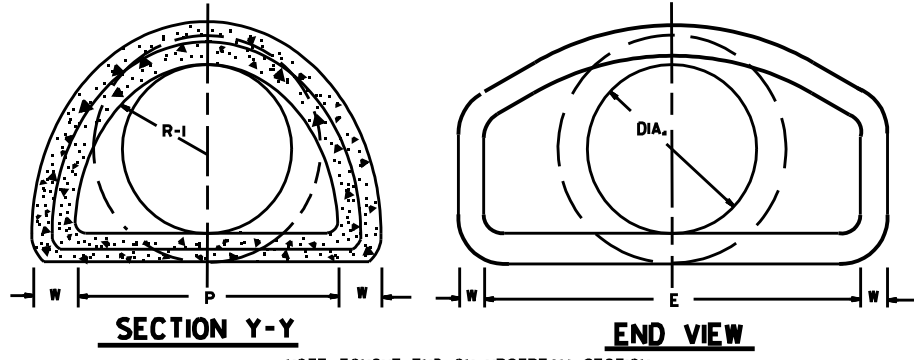


TABLE OF DIMENSIONS

DIA. mm	WALL	A	B	C	D	E	S	DIA. + 25mm	P	R-1	R-2	G-T	WT. Kg	h
450	63	225	675	1150	1825	900	1/3	475	725	388	300	50	455	313
600	75	238	1088	750	1838	1200	1/3	625	830	420	350	63	727	338
750	88	300	1350	494	1844	1500	1/3	775	925	463	375	81	882	416
900	100	375	1575	869	2444	1800	1/3	925	1195	608	500	88	1864	500
1050	113	525	1575	875	2450	1950	1/3	1075	1347	688	550	88	2445	663
1200	125	600	1800	650	2450	2100	1/3	1225	1413	713	550	88	2977	750
1350	138	700	1950	550	2500	2250	1/3	1375	1638	828	600	100	3977	863
1500	150	850	1950	550	2500	2400	1/3	1525	1813	917	600	100	4214	1025
1800	175	1150	1950	550	2500	2700	1/3	1825	1945	973	600	125	6023	1350

ALL DIMENSIONS ARE IN MILLIMETERS.

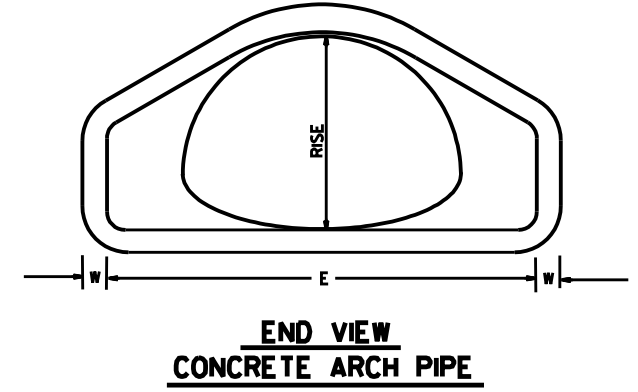


NOTE: TONGUE END ON UPSTREAM SECTION
GROOVE END ON DOWNSTREAM SECTION

ARCH PIPE

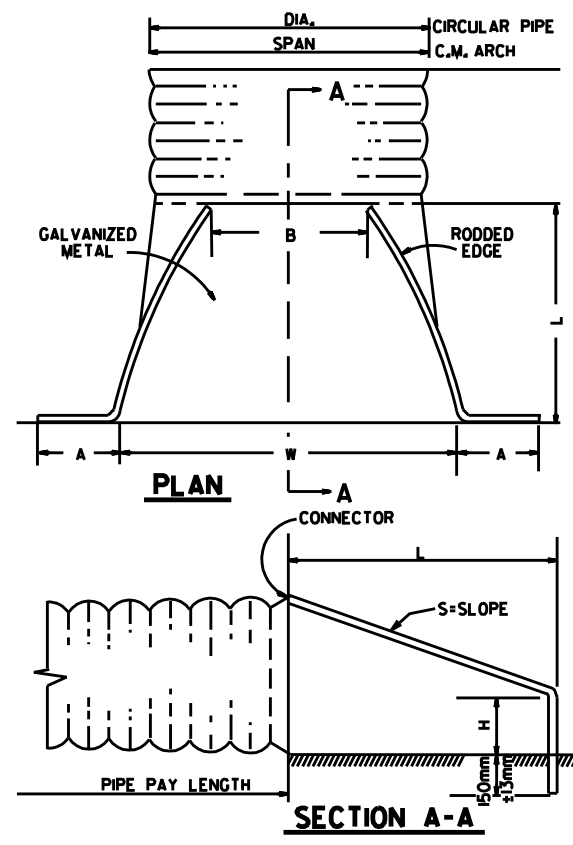
EQUIV. DIA.	SPAN		RISE		W	A	B	C	D	E	P	R2	G-T	S
	AASHTO M 206	NOMINAL	AASHTO M 206	NOMINAL										
millimeters														
375	460	450	280	275	50	100	600	1200	1800	900	725	300	38	1/2 1/2
450	560	550	345	350	63	125	600	1225	1825	1050	803	325	63	1/2 1/2
600	725	725	460	450	75	225	675	1150	1825	1500	920	375	63	1/2 1/2
750	920	900	570	575	88	250	925	913	1838	1800	1195	500	75	1/2 1/2
900	1100	1100	675	675	100	263	1200	638	1838	1950	1358	550	88	1/2 1/2
1050	1300	1275	795	775	113	288	1375	556	1931	2150	1488	575	94	1/2 1/2
1200	1485	1475	915	900	125	375	1575	869	2444	2350	1758	600	106	1/2 1/2
1350	1650	1625	1015	1000	138	475	1575	875	2450	2550	1802	600	119	1/2 1/4
1500	1855	1825	1145	1125	150	550	1650	800	2450	2700	1945	600	125	1/2 1/4

* THE MEASURED SPAN AND RISE SHALL NOT VARY MORE THAN ± 2 PER CENT FROM THE VALUES SPECIFIED BY AASHTO M 206.



END SECTION FOR REINFORCED CONCRETE PIPE CULVERTS

END VIEW CONCRETE ARCH PIPE

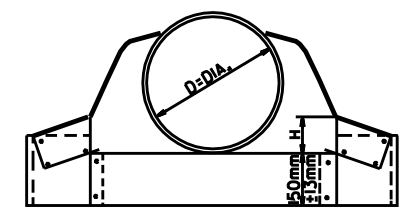


NOTE: ALTERNATE CONNECTIONS TO THE PIPE CULVERTS, IN ACCORDANCE WITH MANUFACTURER'S STANDARD PRACTICES, MAY BE MADE SUBJECT TO THE APPROVAL OF THE ENGINEER.

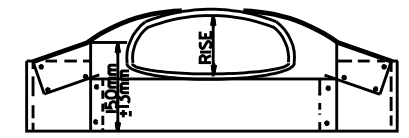
END SECTIONS FOR CORRUGATED METAL PIPE CULVERTS

CIRCULAR PIPE

D. DIA.	THICK- NESS	A 25mm ±	B. MAX.	H 25mm ±	L 38mm ±	W 50mm ±	S
300	1.63	150	150	150	525	600	1/2 1/2
375	1.63	175	200	150	650	750	1/2 1/2
450	1.63	200	250	150	775	900	1/2 1/2
600	1.63	250	325	150	1025	1200	1/2 1/2
750	2.01	300	400	200	1275	1500	1/2 1/2
900	2.01	350	475	225	1500	1800	1/2 1/2
1050	2.77	400	550	275	1725	2100	1/2 1/2
1200	2.77	450	675	300	1950	2250	1/2 1/4
1350	2.77	450	750	300	2100	2550	1/2
1500	2.77	450	825	300	2175	2850	1/2 1/4
1650	2.77	450	900	300	2175	3000	1/2 1/2
1800	2.77	450	975	300	2175	3150	1/2 1/3



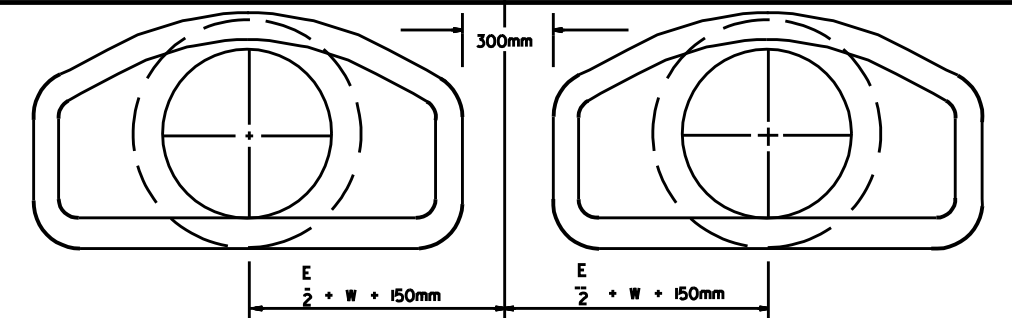
CIRCULAR PIPE



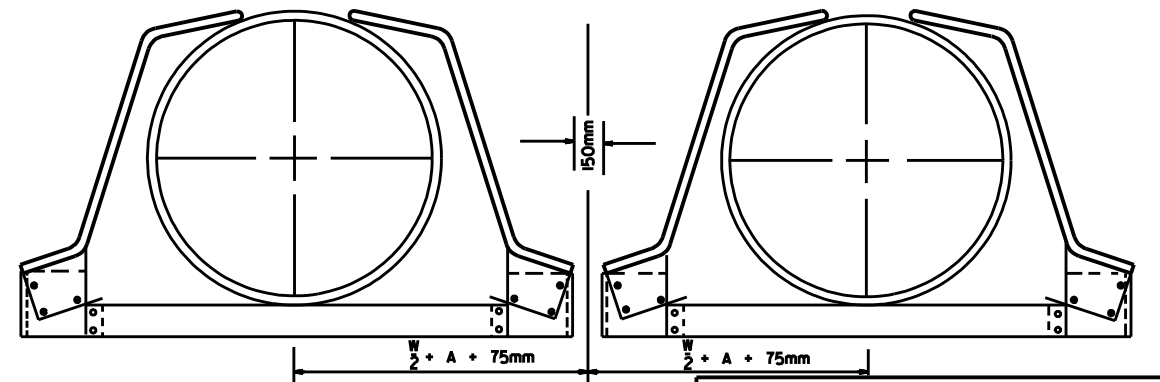
C.M. ARCH PIPE

C.M. ARCH PIPE

EQUIV. DIA.	SPAN	RISE	A 25mm ±	B MAX.	H 25mm ±	L 38mm ±	W 50mm ±	S	GAUGE
375	430	330	175	225	150	475	750	1/2 1/2	16
450	530	380	175	250	150	575	900	1/2 1/2	16
600	710	510	225	350	150	800	1200	1/2 1/2	16
750	885	610	250	400	150	975	1500	1/2 1/2	14
900	1060	740	300	450	200	1150	1875	1/2 1/2	14
1050	1240	840	325	525	225	1325	2125	1/2 1/2	12
1200	1440	970	450	650	300	1575	2250	1/2 1/2	12
1350	1620	1100	450	750	300	1750	2550	1/2 1/4	12
1500	1800	1200	450	825	300	1925	2850	1/2 1/4	12



MULTIPLE R.C. PIPE CULVERTS



MULTIPLE C.M. PIPE CULVERTS

NOTE: ALL DIMENSIONS ARE IN mm'S, UNLESS OTHERWISE NOTED.

ARKANSAS STATE HIGHWAY COMMISSION

FLARED END SECTION

STANDARD DRAWING FES-2 (M)

10-8-95	REVISED AS PER REF. TO AASHTO
1-22-95	CONVERTED TO ENGLISH VERSION
7-20-95	CONVERTED TO METRIC

