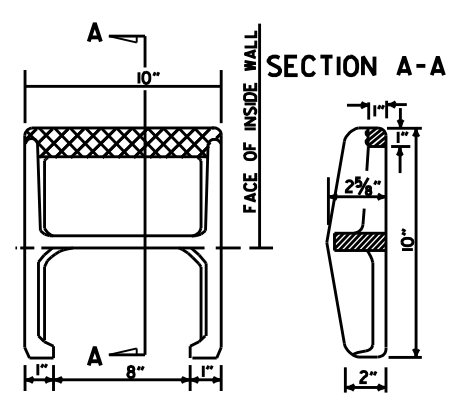
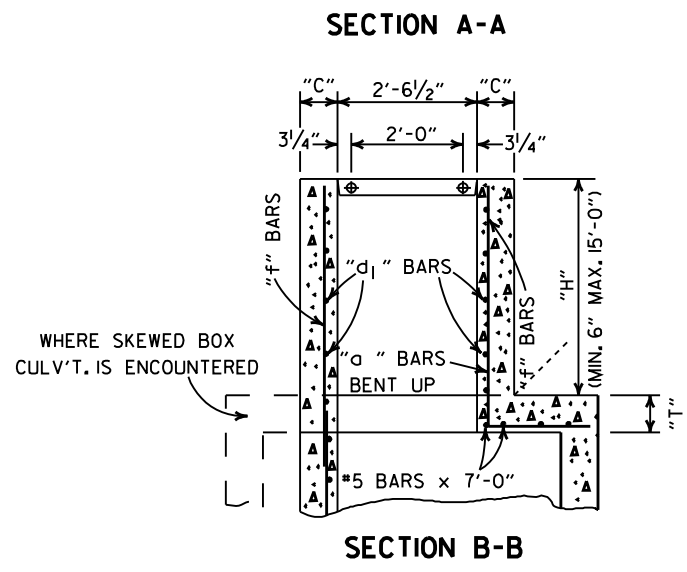
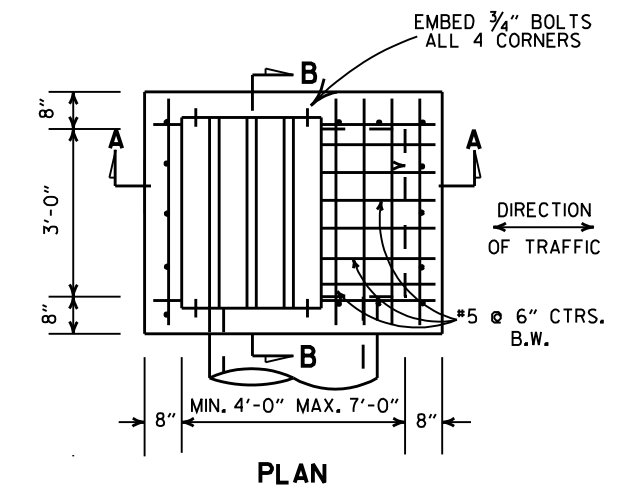
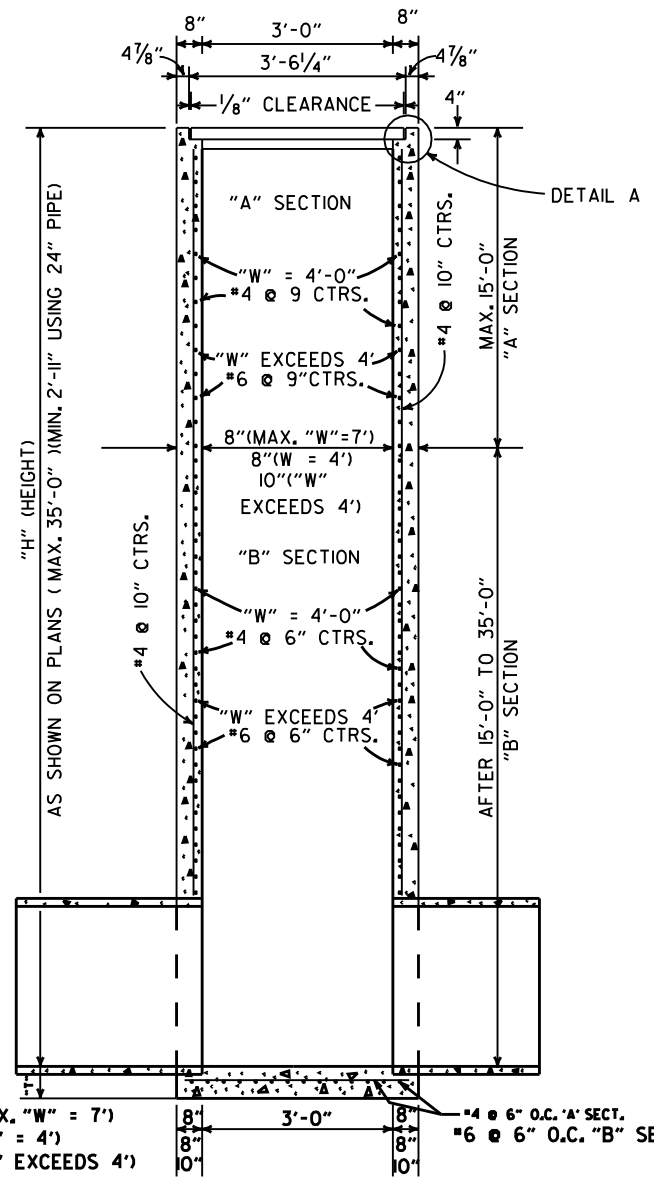
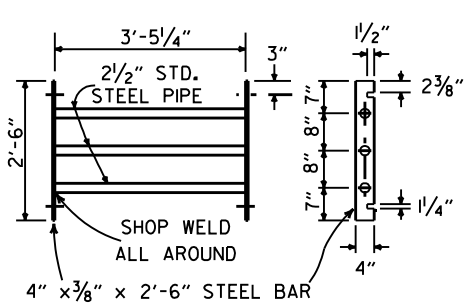
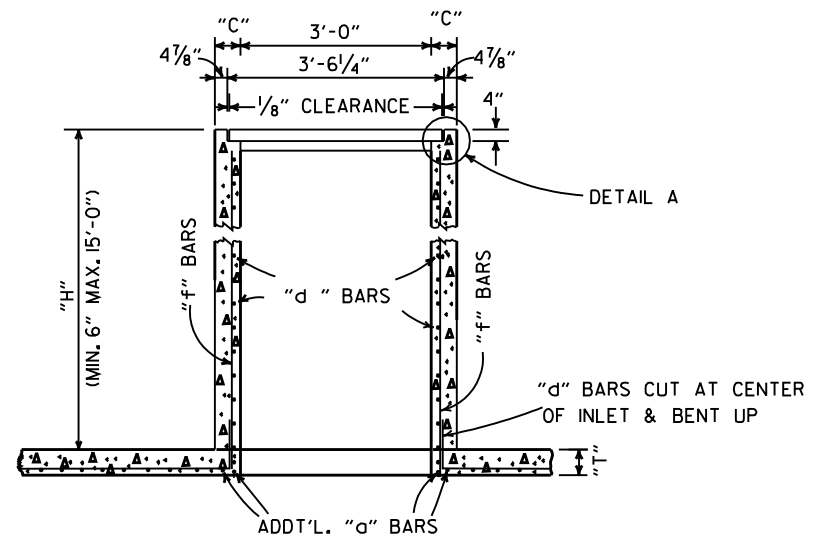


- GENERAL NOTES:**
1. STEEL PIPE FOR GRATES AND BOLTS SHALL CONFORM TO THE REQUIREMENTS OF SECTION 807. BOLTS SHALL CONFORM TO ONE OF THE FOLLOWING: ASTM A193, GRADE B8 CLASS 10R 2, ASTM A307 OR AASHTO M 164.
  2. STEEL PIPE FOR GRATES SHALL BE "STANDARD WEIGHT" PIPE CONFORMING TO ASTM A53 NATIONAL STANDARD PIPE.
  3. BOLTS, NUTS, WASHERS SHALL BE GALVANIZED IN ACCORDANCE WITH AASHTO M 232 OR AASHTO M 298, CLASS 40 OR 50.
  4. ALL EXPOSED CORNERS TO HAVE 3/4" CHAMFER.
  5. ALL #4 AND #5 REINFORCING BARS TO HAVE 1/2" COVER, LARGER SIZES TO HAVE 2" COVER.
  6. THE COMPLETE PIPE GRATE SHALL BE PAINTED IN ACCORDANCE WITH THE STANDARD SPECIFICATIONS.

**TABLE OF "W" DIMENSIONS**

I.D. PIPE	SKEW OF CROSS DRAIN		
	STRAIGHT	30°	45°
24"	4'-0"	4'-0"	4'-0"
30"	4'-0"	4'-0"	4'-5"
36"	4'-0"	4'-3"	5'-3"
42"	4'-3"	4'-11"	6'-1"
48"	4'-10"	5'-7"	6'-11"

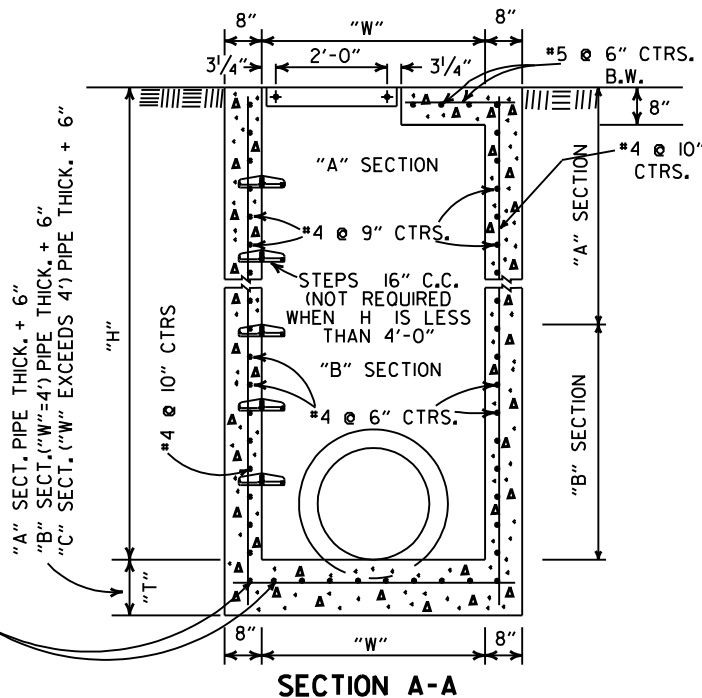
NOTE: DIMENSIONS SHOWN ABOVE ARE FOR PIPES INTERSECTING DROP INLET ON ONE SIDE ONLY. FOR SKEWED PIPES INTERSECTING BOTH SIDES OF DROP INLET, "W" WILL NEED TO BE INCREASED OR AXIS OF INTERSECTING PIPES WILL NEED TO BE SHIFTED.



APPROX. WEIGHT = 11 LBS. (CAST IRON)  
PLAN

NOTE: THIS DETAIL IS TYPICAL. OTHERS MAY BE USED WITH PRIOR APPROVAL OF THE ENGINEER.

**DETAIL OF STEP FOR DROP INLET**



"A" SECT. (MAX. "W" = 7')  
"B" SECT. ("W" = 4')  
"C" SECT. ("W" EXCEEDS 4')

**SECTION B-B DROP INLET (TYPE RM)**

8-22-02	ADDED & REVISED DIMENSION TO SECTION A-A	
1-12-00	CORRECTED DIMENSION ON SECTION B-B	
11-06-97	ADDED DIMENSION TO SECTION A-A	
10-18-96	REVISED ASTM REF. TO AASHTO AND ADDED NOTE TO TABLE OF "W" DIMENSIONS	
10-1-92	ADDED DIRECTION OF TRAFFIC	10-1-92
8-15-91	ADDED NOTE ABOUT PAINTING OF GRATE	8-15-91
11-30-89	ALTERED DETAIL A	11-30-89
7-15-88	REVISED STEP DETAIL, TM & RM D.I. & GRATE DETAIL	7-15-88
10-2-72	REVISED AND REDRAWN	542-10-2-72
REVISED		DATE FILMED

**ARKANSAS STATE HIGHWAY COMMISSION**  
**DETAILS OF DROP INLETS**  
**STANDARD DRAWING FPC-9D**

NOTE: ADD'L. REINF. STEEL TO BE INCLUDED IN UNIT PRICE BID PER TYPE "TM" D.I.

DIMENSIONS & REINF. BARS FOR D.I. TO BE THE SAME AS THOSE SHOWN ON APPLICABLE STD. BARREL DRAWING FOR R.C. BOX CULVERTS.

**DROP INLET TYPE "TM" FOR REINFORCED CONC. BOX CULVERTS**