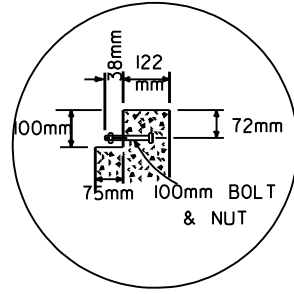
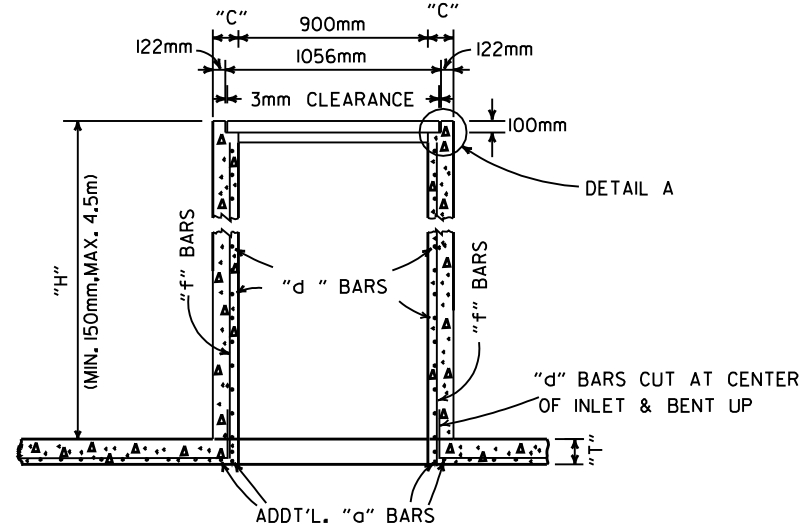


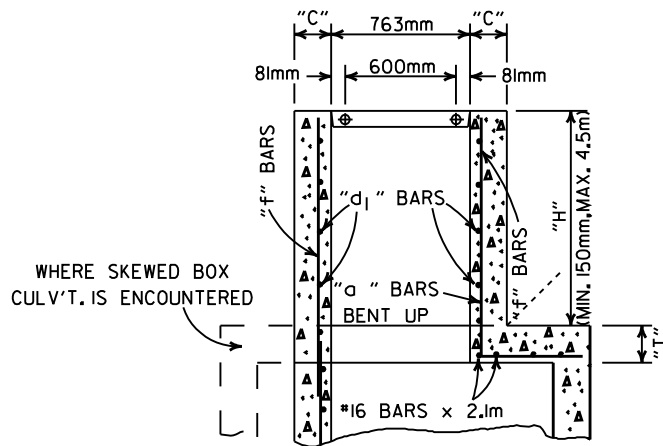
PLAN



DETAIL A



SECTION A-A

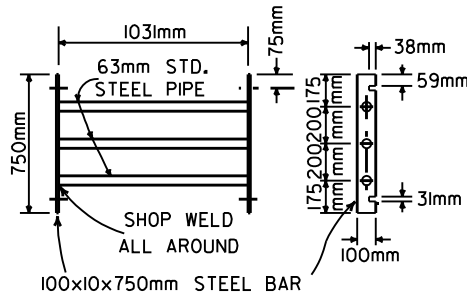


SECTION B-B

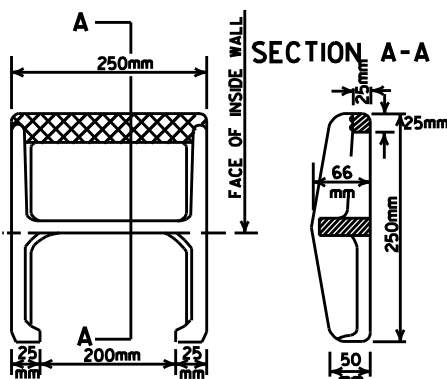
NOTE: ADD'L. REINF. STEEL TO BE INCLUDED IN UNIT PRICE BID PER TYPE "TM" D.I.

DIMENSIONS & REINF. BARS FOR D.I. TO BE THE SAME AS THOSE SHOWN ON APPLICABLE STD. BARREL DRAWING FOR R.C. BOX CULVERTS.

**DROP INLET TYPE "TM" FOR REINFORCED CONC. BOX CULVERTS**



GRATE DETAIL



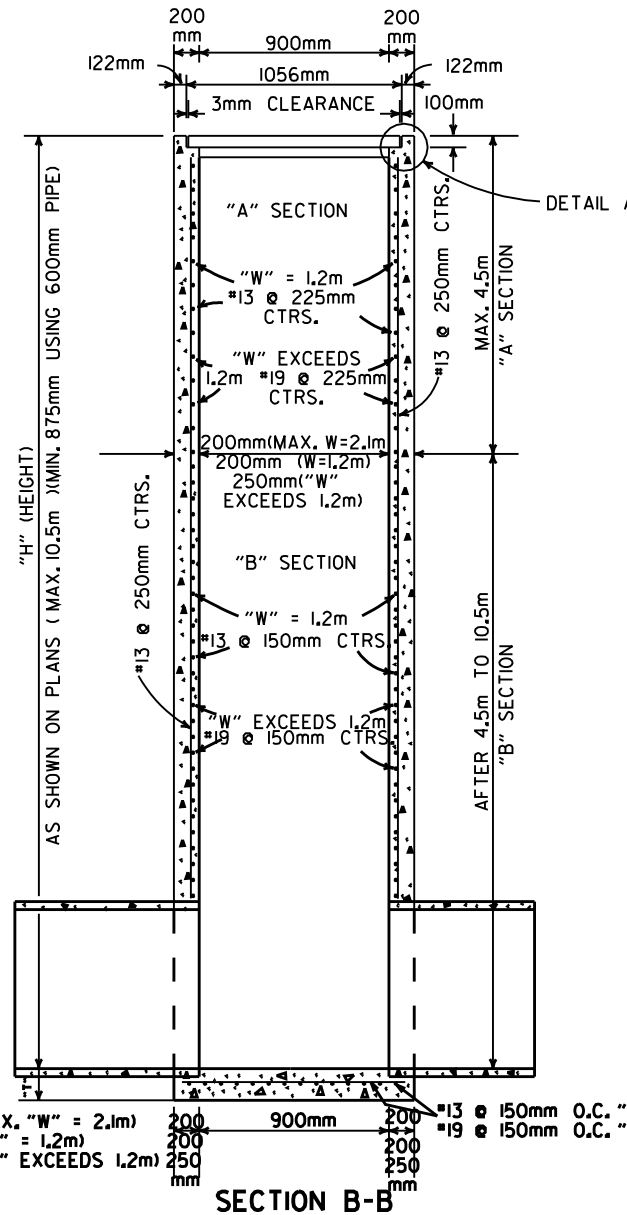
SECTION A-A  
APPROX. WEIGHT = 5kg (CAST IRON)  
PLAN

NOTE: THIS DETAIL IS TYPICAL. OTHERS MAY BE USED WITH PRIOR APPROVAL OF THE ENGINEER.

**DETAIL OF STEP FOR DROP INLET**

GENERAL NOTES:

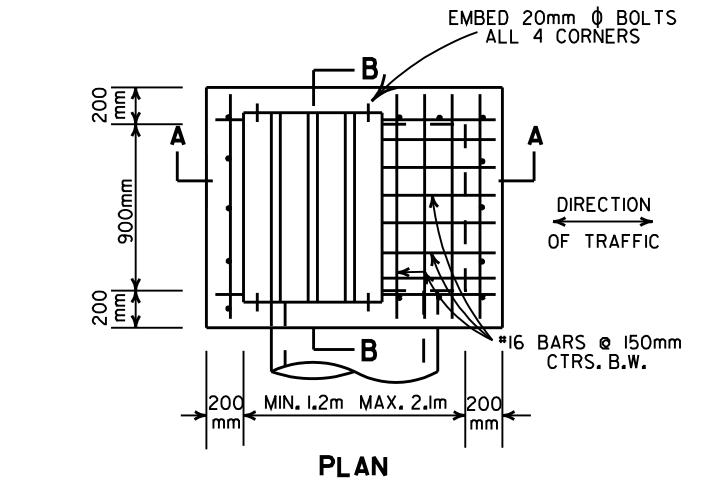
1. STEEL PIPE FOR GRATES AND BOLTS SHALL CONFORM TO THE REQUIREMENTS OF SECTION 807. BOLTS SHALL CONFORM TO ONE OF THE FOLLOWING: ASTM A193, GRADE B8 CLASS 1 OR 2, ASTM A307 OR AASHTO M 164.
2. STEEL PIPE FOR GRATES SHALL BE "STANDARD WEIGHT" PIPE CONFORMING TO ASTM A53 NATIONAL STANDARD PIPE.
3. BOLTS, NUTS, WASHERS SHALL BE GALVANIZED IN ACCORDANCE WITH AASHTO M 232 OR AASHTO M 298, CLASS 40 OR 50.
4. ALL EXPOSED CORNERS TO HAVE 19mm CHAMFER.
5. ALL #13 AND #16 REINFORCING BARS TO HAVE 38mm COVER. LARGER SIZES TO HAVE 50mm COVER.
6. THE COMPLETE PIPE GRATE SHALL BE PAINTED IN ACCORDANCE WITH THE STANDARD SPECIFICATIONS.



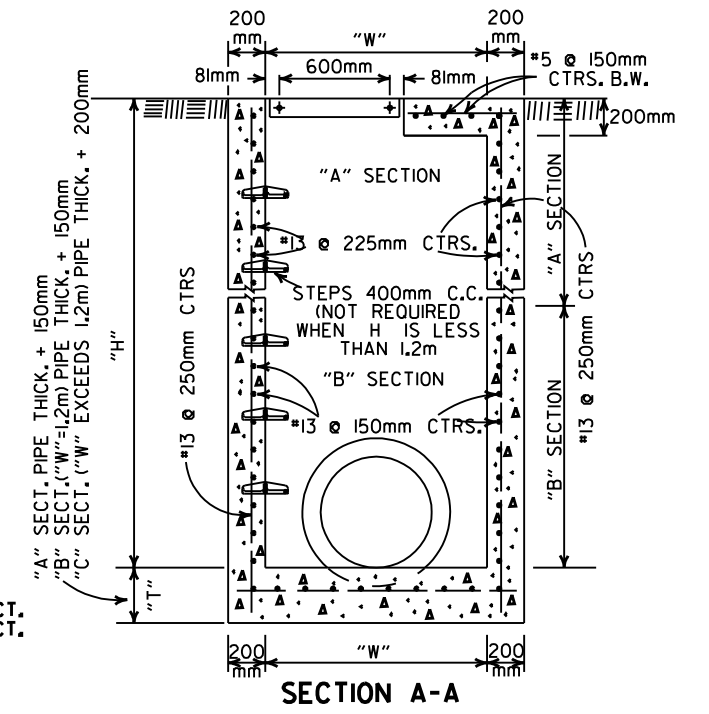
SECTION B-B

"A" SECT. (MAX. "W" = 2.1m) #13 @ 150mm O.C. "A" SECT.  
 "B" SECT. ("W" = 1.2m) #19 @ 150mm O.C. "B" SECT.  
 "C" SECT. ("W" EXCEEDS 1.2m) #13 @ 250mm O.C. "C" SECT.

**DROP INLET (TYPE RM)**



PLAN



SECTION A-A

"A" SECT. PIPE THICK. + 150mm  
 "B" SECT. ("W" = 1.2m) PIPE THICK. + 150mm  
 "C" SECT. ("W" EXCEEDS 1.2m) PIPE THICK. + 200mm

**TABLE OF "W" DIMENSIONS**

I.D. PIPE	SKEW OF CROSS DRAIN		
	STRAIGHT	30°	45°
600	1.2	1.2	1.2
750	1.2	1.2	1.33
900	1.2	1.28	1.58
1050	1.28	1.48	1.83
1200	1.45	1.68	2.08

NOTE: DIMENSIONS SHOWN ABOVE ARE FOR PIPES INTERSECTING DROP INLET ON ONE SIDE ONLY. FOR SKEWED PIPES INTERSECTING BOTH SIDES OF DROP INLET, "W" WILL NEED TO BE INCREASED OR AXIS OF INTERSECTING PIPES WILL NEED TO BE SHIFTED.

ARKANSAS STATE HIGHWAY COMMISSION

**DETAILS OF DROP INLETS**

STANDARD DRAWING FPC-90(M) METRIC

8-22-02	REVISED DIMENSION ON SECTION A-A
1-12-00	CORRECTED DIMENSION ON SECTION B-B
1-05-97	ADDED DIMENSION TO SECTION A-A
4-3-97	REVISED STEEL BARS TO SFT METRIC
10-8-96	REV. STATE REF. TO AASHTO AND ADDED NOTE TO TABLE OF "W" DIMENSIONS
1-20-78	CONVERTED TO METRIC