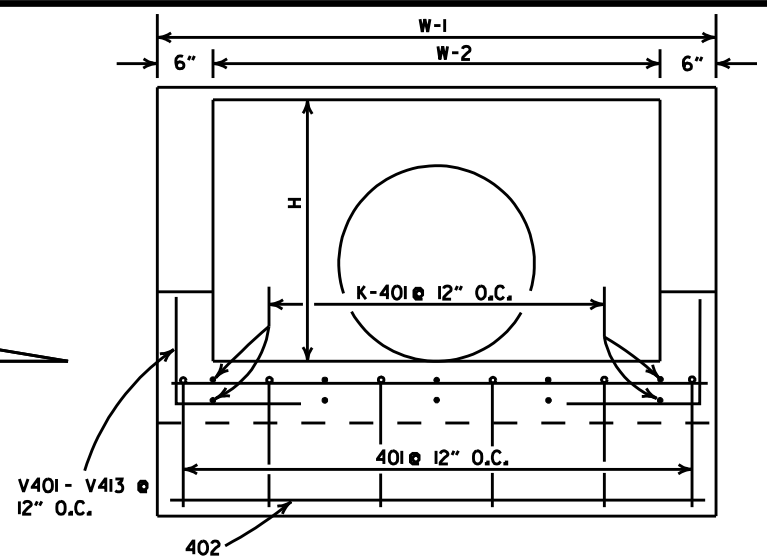
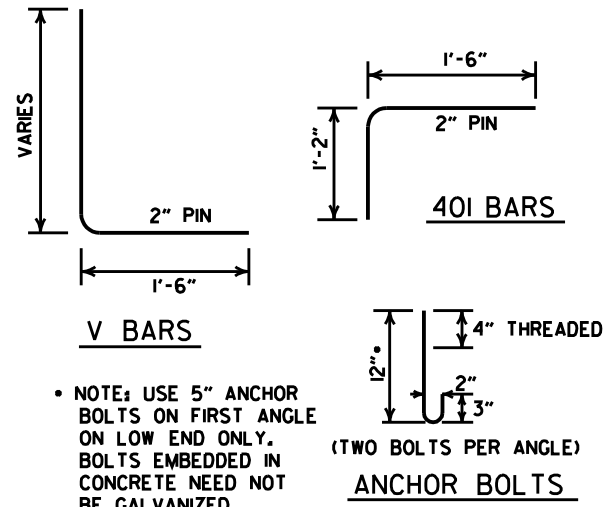


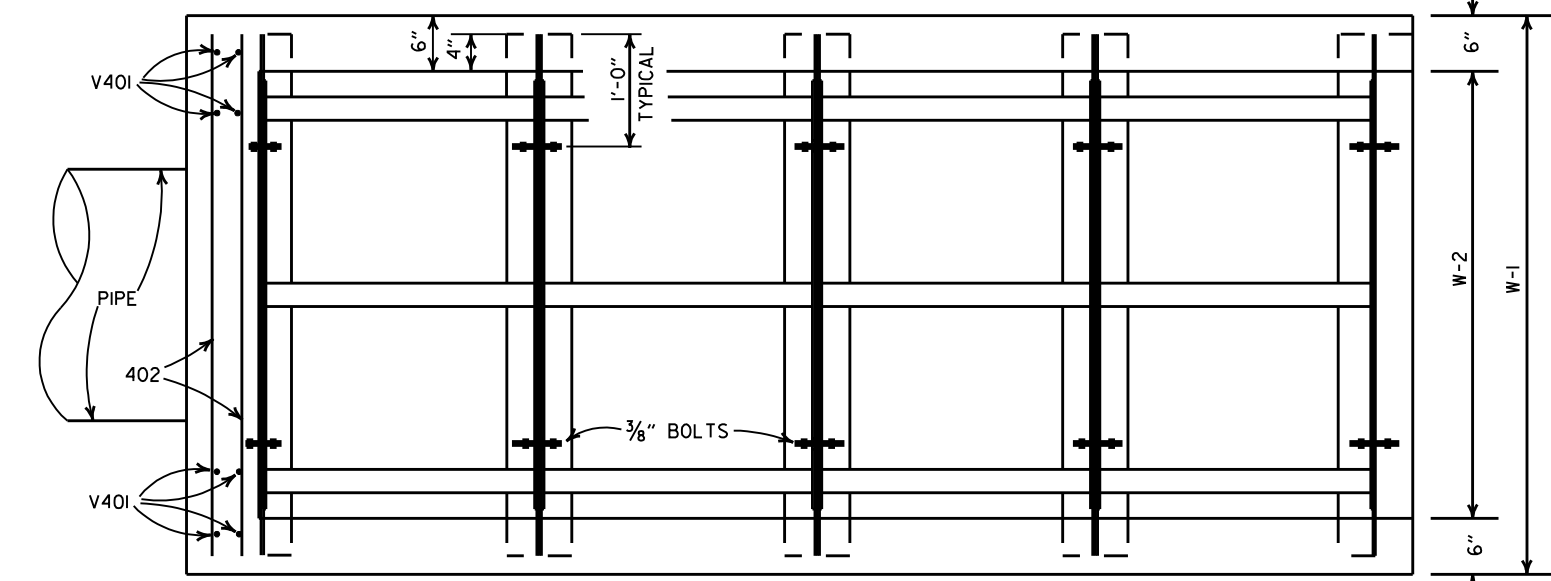
SIDE ELEVATION



END ELEVATION



BENDING DIAGRAM
(DIMENSIONS ARE OUTSIDE TO OUTSIDE)



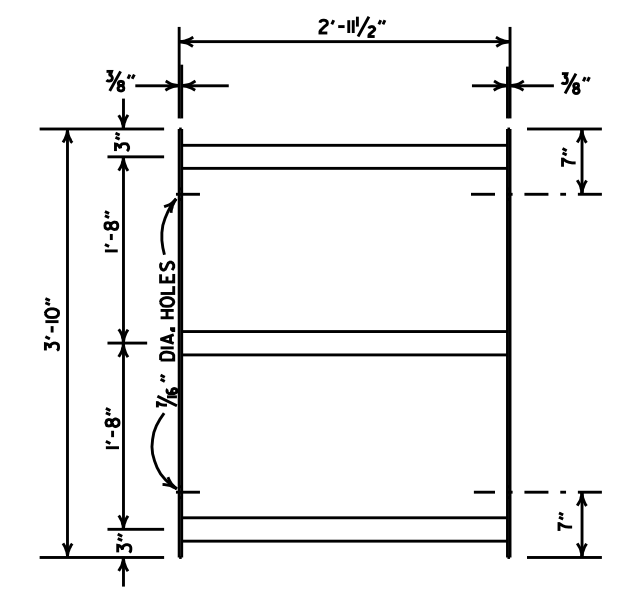
PLAN

QUANTITIES & DIMENSIONS - ONE GRATE COMPLETE

PIPE DIA.	W - 1	W - 2	L	S	H	PANEL SIZE	NUMBER OF PANELS	ANGLE DIMEN. D	APPROX. CONC. QUANT. CU. YDS.
24"	5'-0"	4'-0"	12'-6"	12'-8"	2'-8"	2'-11/2" x 3'-10"	4	4" x 3/2" x 3/8"	2.35
30"	5'-0"	4'-0"	15'-6"	15'-8 1/2"	3'-2"	2'-11/2" x 3'-10"	5	4" x 3/2" x 3/8"	3.09
18"	5'-0"	4'-0"	9'-6"	9'-7 1/2"	2'-2"	2'-11/2" x 3'-10"	3	4" x 3/2" x 3/8"	1.77

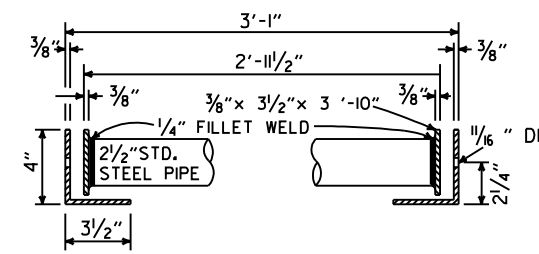
BAR LISTS - ONE HEADWALL

24" PIPE			30" PIPE			18" PIPE		
MRK	LENGTH	NO.	MRK	LENGTH	NO.	MARK	LENGTH	NO.
401	2'-8"	6	401	2'-8"	6	401	2'-8"	6
402	4'-8"	30	402	4'-8"	36	402	4'-8"	24
K401	12'-2"	10	K401	15'-2"	10	K401	9'-2"	10
K402	10'-3"	2	K402	13'-3"	2	K402	7'-3"	2
K403	4'-3"	2	K403	7'-3"	2	K403	1'-3"	2
K404	1'-3"	2	K404	1'-3"	2			
V401	4'-5"	10	V401	4'-11"	10	V401	3'-11"	10
V402	4'-1"	2	V402	4'-7"	2	V402	3'-7"	2
V403	3'-11"	2	V403	4'-5"	2	V403	3'-5"	2
V404	3'-9"	2	V404	4'-5"	2	V404	3'-3"	2
V405	3'-7"	2	V404	4'-3"	2	V405	3'-1"	2
V406	3'-5"	2	V405	4'-1"	2	V406	2'-11"	2
V407	3'-3"	2	V406	3'-11"	2	V407	2'-9"	2
V408	3'-1"	2	V407	3'-9"	2	V408	2'-7"	2
V409	2'-11"	2	V408	3'-7"	2	V409	2'-5"	2
V410	2'-9"	2	V409	3'-5"	2	V410	2'-3"	2
V411	2'-7"	2	V410	3'-3"	2			
V412	2'-5"	2	V411	3'-1"	2			
V413	2'-3"	2	V412	2'-11"	2			
			V413	2'-9"	2			
			V414	2'-7"	2			
			V415	2'-5"	2			
			V416	2'-3"	2			



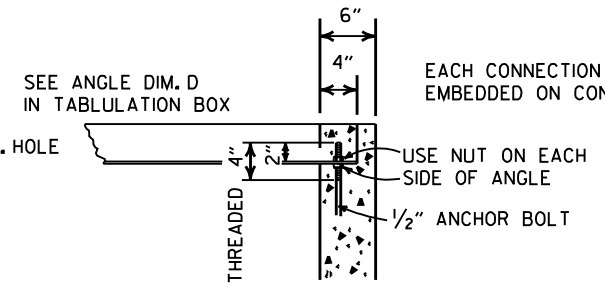
STANDARD GRATE PANEL

NOTE: 2 1/2" STANDARD STEEL PIPE TO BE VENTED FOR GALVANIZING.



TYPICAL SECTION

FURNISH WASHERS WITH BOLTS



DETAIL OF ANGLE CONNECTION

DATE	REVISION	DATE FILMED
8-15-91	REVISED GRATE PANEL	8-15-91
2-16-89	ADDED (TYPE I) TO TITLE	581-2-16-89
7-15-88	CHANGED TITLE	641-7-15-88
2-18-75	ADDED QTY'S & DIMENSIONS FOR 18" PIPE	985-2-18-75
10-2-72	REVISED & REDRAWN	761-10-2-72

ARKANSAS STATE HIGHWAY COMMISSION

STEEL GRATE ASSEMBLY (TYPE I)

STANDARD DRAWING G-1