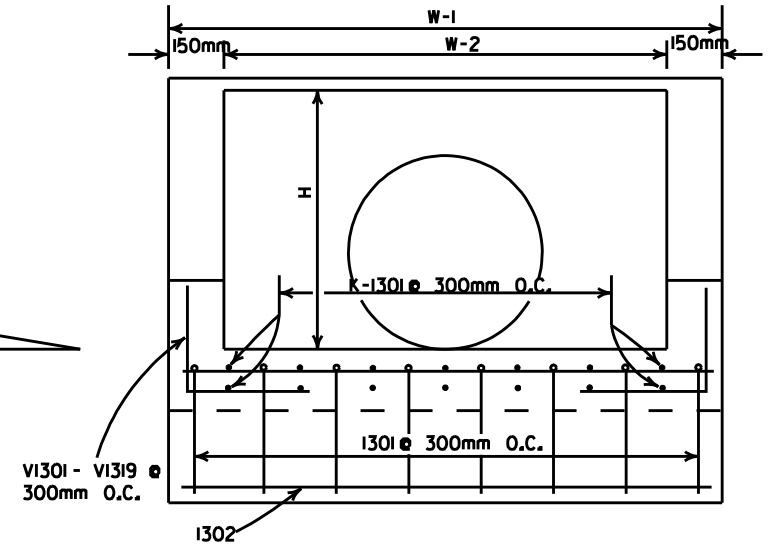
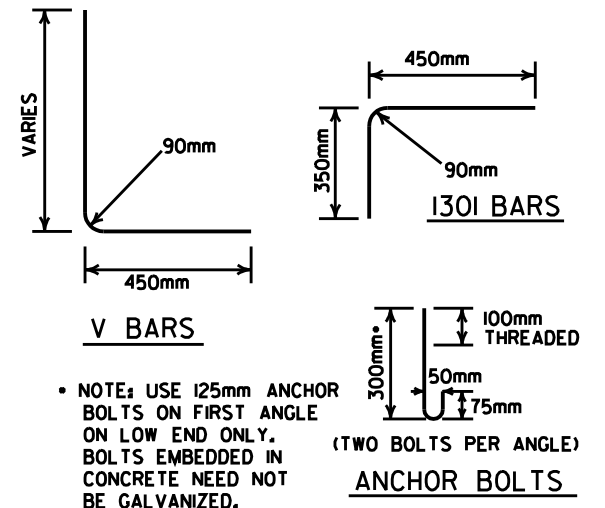


SIDE ELEVATION



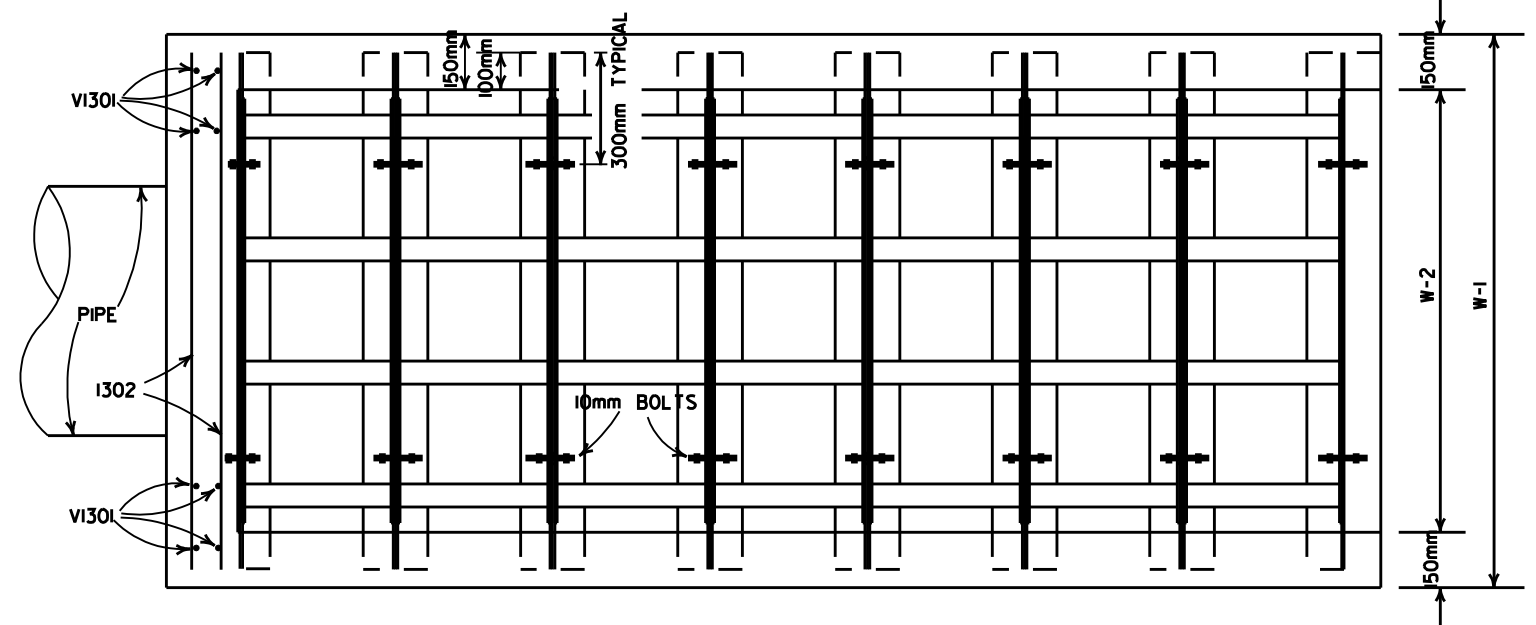
END ELEVATION



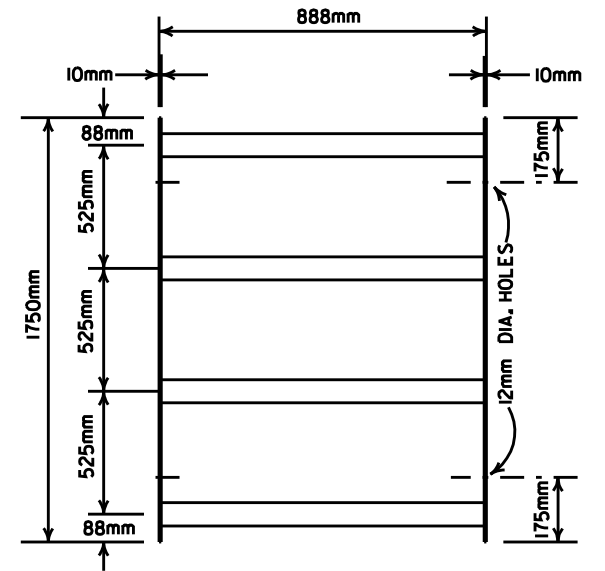
BENDING DIAGRAM
(DIMENSIONS ARE OUTSIDE TO OUTSIDE)

QUANTITIES & DIMENSIONS - ONE GRATE COMPLETE

PIPE DIA.	W - 1	W - 2	L	S	H	PANEL SIZE mm	NUMBER OF PANELS	ANGLE DIMEN. D		APPROX. CONC. QUANT. CU m
								mm	mm	
900	2.1	1.8	5.55	5.625	1.10	888x1750	6	100x100x8	3.46	
1050	2.1	1.8	6.48	6.563	1.25	888x1750	7	100x100x8	4.08	
1200	2.1	1.8	7.40	7.500	1.40	888x1750	8	100x100x8	4.73	

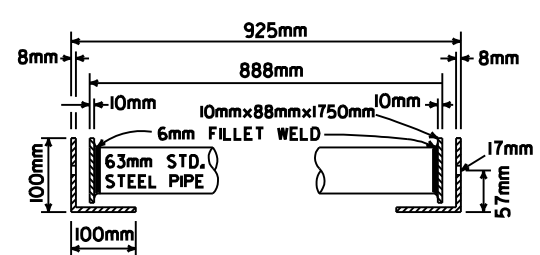


PLAN

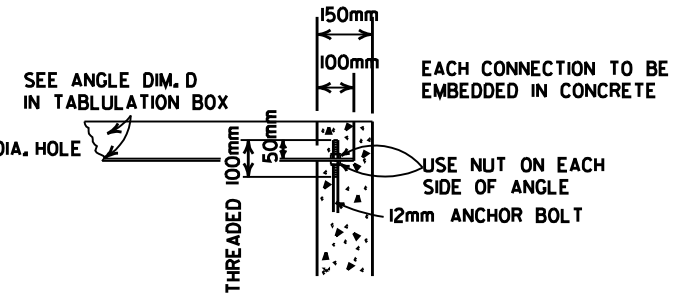


STANDARD GRATE PANEL

NOTE: 63mm STANDARD STEEL PIPE TO BE VENTED FOR GALVANIZING.



TYPICAL SECTION
FURNISH WASHERS WITH BOLTS



DETAIL OF ANGLE CONNECTION

BAR LISTS - ONE HEADWALL

900 PIPE

MARK	LENGTH mm	NO.
I301	800	8
I302	2000	42
K1301	5450	14
K1302	4875	2
K1303	3075	2
K1304	1275	2
V1301	1625	10
V1302	1525	2
V1303	1475	2
V1304	1425	2
V1305	1375	2
V1306	1325	2
V1307	1275	2
V1308	1225	2
V1309	1175	2
V1310	1125	2
V1311	1075	2
V1312	1025	2
V1313	975	2
V1314	925	2
V1315	875	2
V1316	825	2
V1317	775	2
V1318	725	2
V1319	675	2

1050 PIPE

MARK	LENGTH mm	NO.
I301	800	8
I302	2000	48
K1301	6375	14
K1302	5775	2
K1303	3975	2
K1304	2175	2
V1301	1775	10
V1302	1675	2
V1303	1625	2
V1304	1575	2
V1305	1525	2
V1306	1475	2
V1307	1425	2
V1308	1375	2
V1309	1325	2
V1310	1275	2
V1311	1225	2
V1312	1175	2
V1313	1125	2
V1314	1075	2
V1315	1025	2
V1316	975	2
V1317	925	2
V1318	875	2
V1319	825	2
V1320	775	2
V1321	725	2
V1322	675	2

1200 PIPE

MARK	LENGTH mm	NO.
I301	800	8
I302	2000	54
K1301	7300	14
K1302	6675	2
K1303	4875	2
K1304	3075	2
V1301	1925	10
V1302	1825	2
V1303	1775	2
V1304	1725	2
V1305	1675	2
V1306	1625	2
V1307	1575	2
V1308	1525	2
V1309	1475	2
V1310	1425	2
V1311	1375	2
V1312	1325	2
V1313	1275	2
V1314	1225	2
V1315	1175	2
V1316	1125	2
V1317	1075	2
V1318	1025	2
V1319	975	2
V1320	925	2
V1321	875	2
V1322	825	2
V1323	775	2
V1324	725	2
V1325	675	2

ARKANSAS STATE HIGHWAY COMMISSION

STEEL GRATE ASSEMBLY (TYPE 1)

STANDARD DRAWING G-2(M) METRIC

4-03-97	REVISED STEEL BARS TO SPT METRIC
7-20-98	CONVERTED TO METRIC