

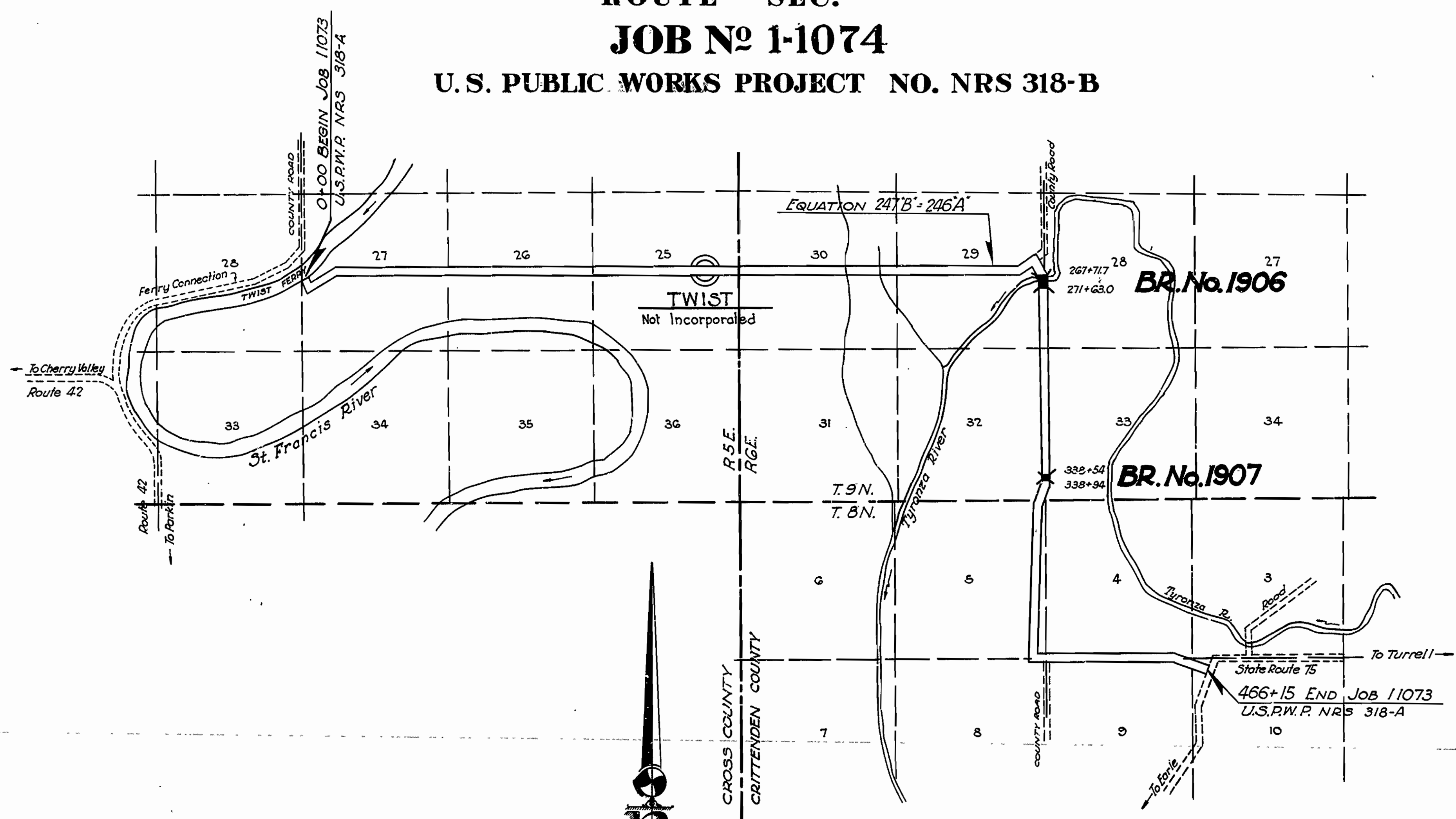
FED. DIST. NO.	STATE	U.S.P.W. PROJ. NO.	FISCAL YEAR	SHEET NO.	TOTAL SHEETS
6	ARK.	318-B		1	2

INDEX OF SHEETS
 SHEET NO. 1 DRWG. NO. 3902 TITLE SHEET
 " " 2 " " 3903 DETAILS OF PAINTING, REMODELING AND REDECKING BRIDGES

QUANTITIES
 ITEM NO. 96 STRUCTURAL STEEL IN BEAM SPANS 334.93 LBS.
 ITEM NO. 97 UNTREATED BRIDGE TIMBER 37,400 MFBM
 ITEM NO. SP-1 CLEANING & PAINTING STEEL BRIDGES LUMP SUM
 ITEM NO. SP REPAIRING & REMODELING EXISTING STRUCTURES LUMP SUM

STATE OF ARKANSAS
 STATE HIGHWAY COMMISSION

PLAN OF PROPOSED BRIDGES
TWIST FERRY-EARLE
CRITTENDEN COUNTY
 ROUTE SEC.
JOB No 1-1074
 U.S. PUBLIC WORKS PROJECT NO. NRS 318-B



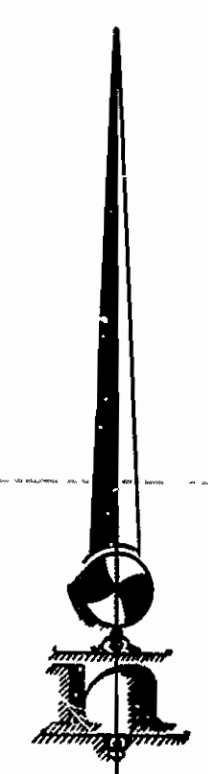
Specifications approved by Chief, Bureau of Public Roads, September 28, 1925, and adopted by State Highway Commission May 30, 1925 with revisions and Special Provisions as follows:

REVISIONS

Pamphlet	Item	Date	Approved
A	Revised MAR. 1st, 1931	Approved June 13 1931	
L	Revised FEB. 10, 1933		
O	OCT. 1, 1933		
P	Revised OCT. 1st, 1933		

SPECIAL PROVISIONS

Item	No. of Sheets	Date
SUBLETING, LABOR & NRA CODE COMPLIANCE	12	8-9-34
BEGINNING & PROSECUTION OF WORK	1	11-8-34
REPAIRING & REMODELING EXISTING STRUCTURES	1	10-9-34
CLEANING & PAINTING STEEL BRIDGES	1	



LAYOUT
 Scale: 2 in. = 1 Mi.

LENGTH OF PROJECT = 431.3 FT. OR 0.081 MI.
 LENGTH OF BRIDGES = 431.3 FT. OR 0.081 MI.
 LENGTH OF EMBANKMENT = 0
 LENGTH OF JOB = 431.3 FT. OR 0.081 MI.

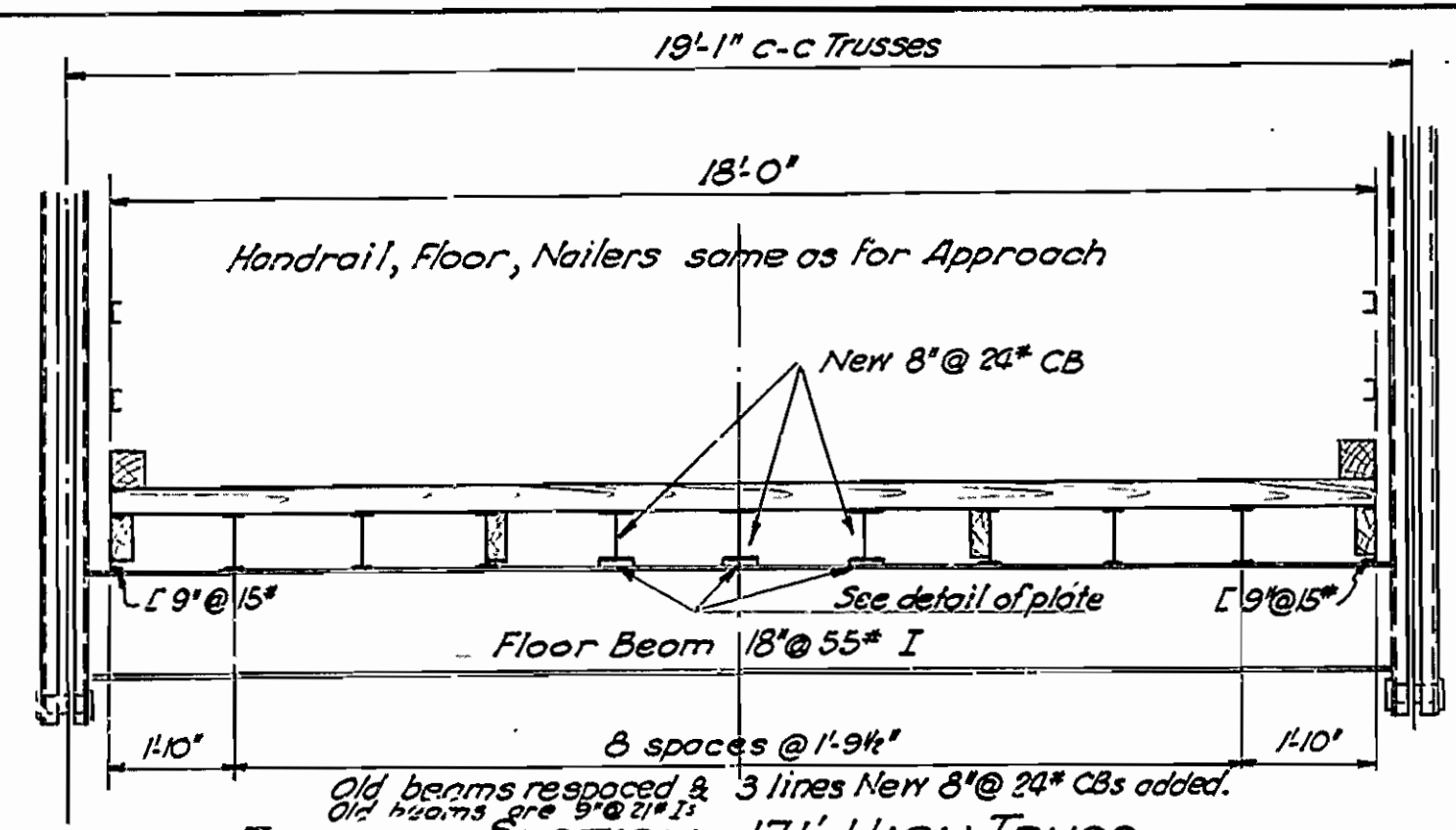
U.S.P.W. PROJ. NRS 318-B (STATE JOB NO. 1-1074) CONSISTS OF REPAIRING & REMODELING TWO BRIDGES. LIMITS OF PROJECT ARE STATIONS OF BRIDGE ENDS SHOWN ABOVE. ROAD WORK CONSTRUCTED UNDER U.S.P.W. PROJ. NRS 318-A (STATE JOB NO. 1-1073)

APPROVED
 CHIEF ENGINEER - U. S. BUREAU OF PUBLIC ROADS
 APPROVED
 DISTRICT ENGINEER - U. S. BUREAU OF PUBLIC ROADS
 APPROVED
 CHIEF - U. S. BUREAU OF PUBLIC ROADS
 APPROVED
 CHAIRMAN - STATE HIGHWAY COMMISSION
 APPROVED
 STATE HIGHWAY ENGINEER

N. B. Blawie
 BRIDGE ENGINEER

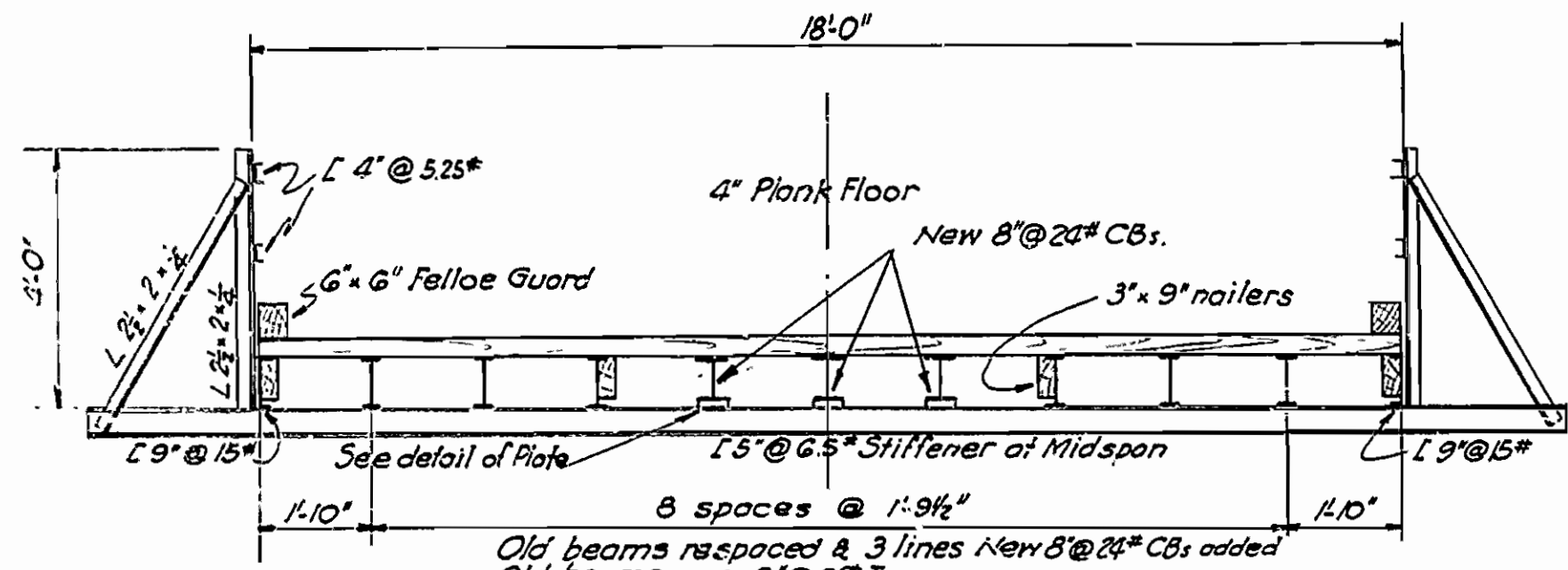
FED. ROAD DIST. NO.	STATE	U.S.P.V. PROJ. NO.	FISCAL YEAR	SHEET NO.	TOTAL SHEETS
G	ARK.	NRS 318-B		2	2

State Job No. 1-1074



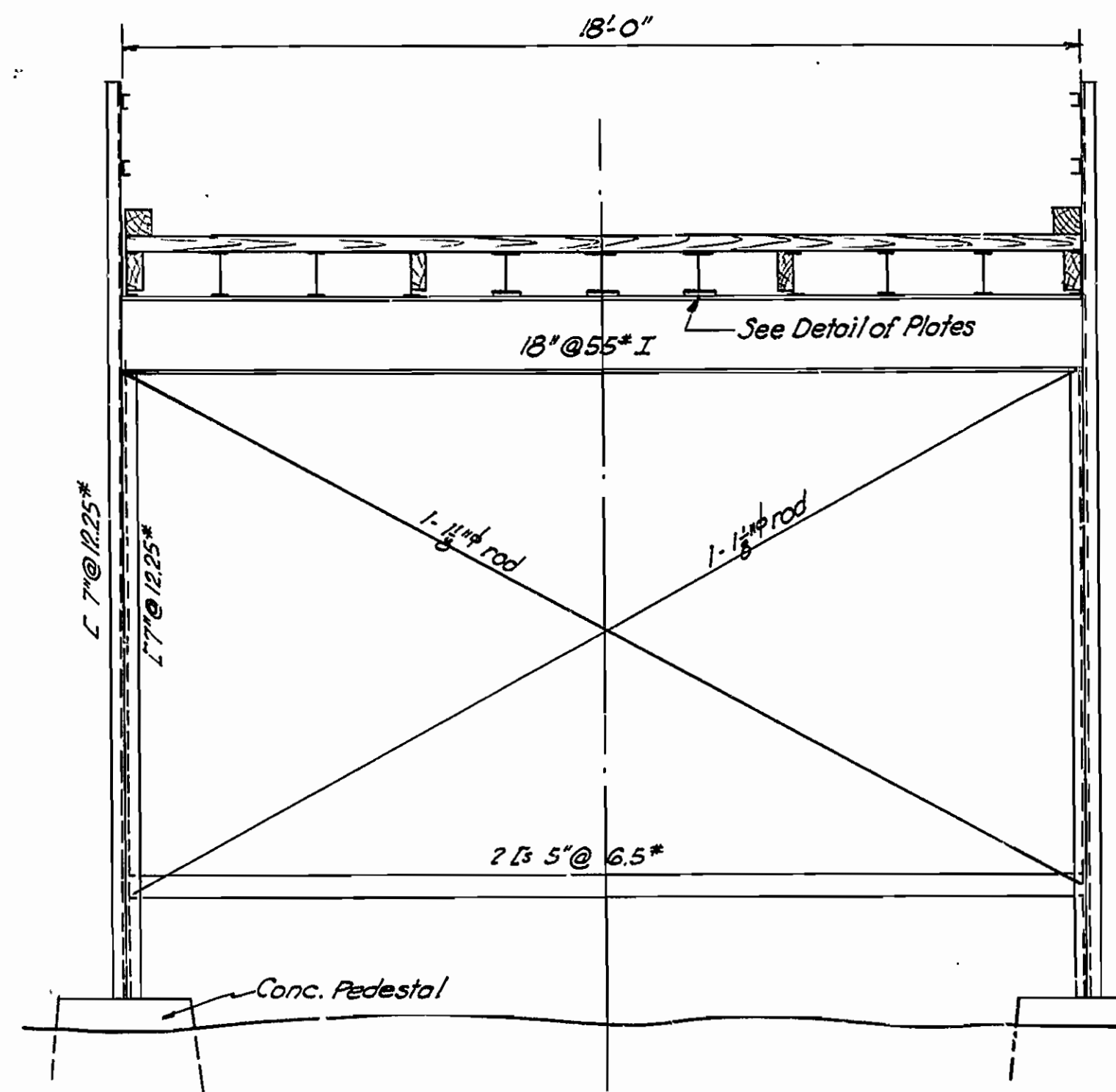
TYPICAL SECTION 171' HIGH TRUSS

Showing Stringers respaced, three new stringers added, new deck, nailers & felloe guards in place.



TYPICAL SECTION OF APPROACH

Showing Stringers respaced, three new stringers added, new deck, nailers, & felloe guards in place.

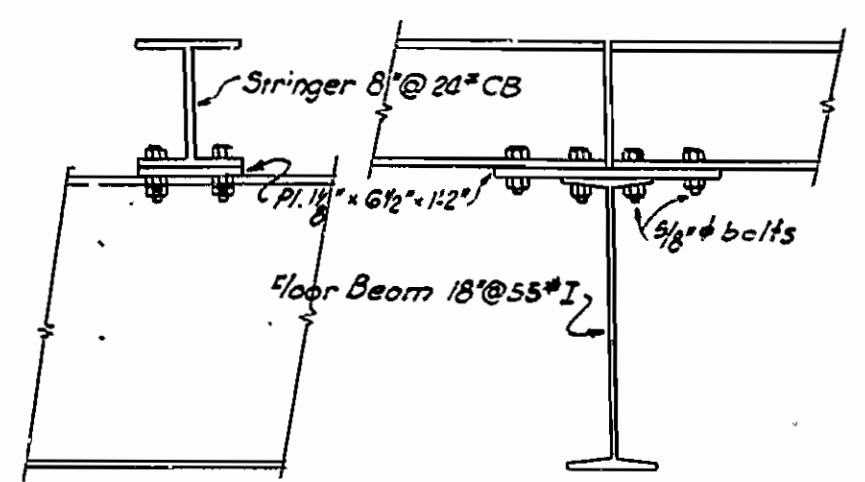


TYPICAL BENT OF APPROACH

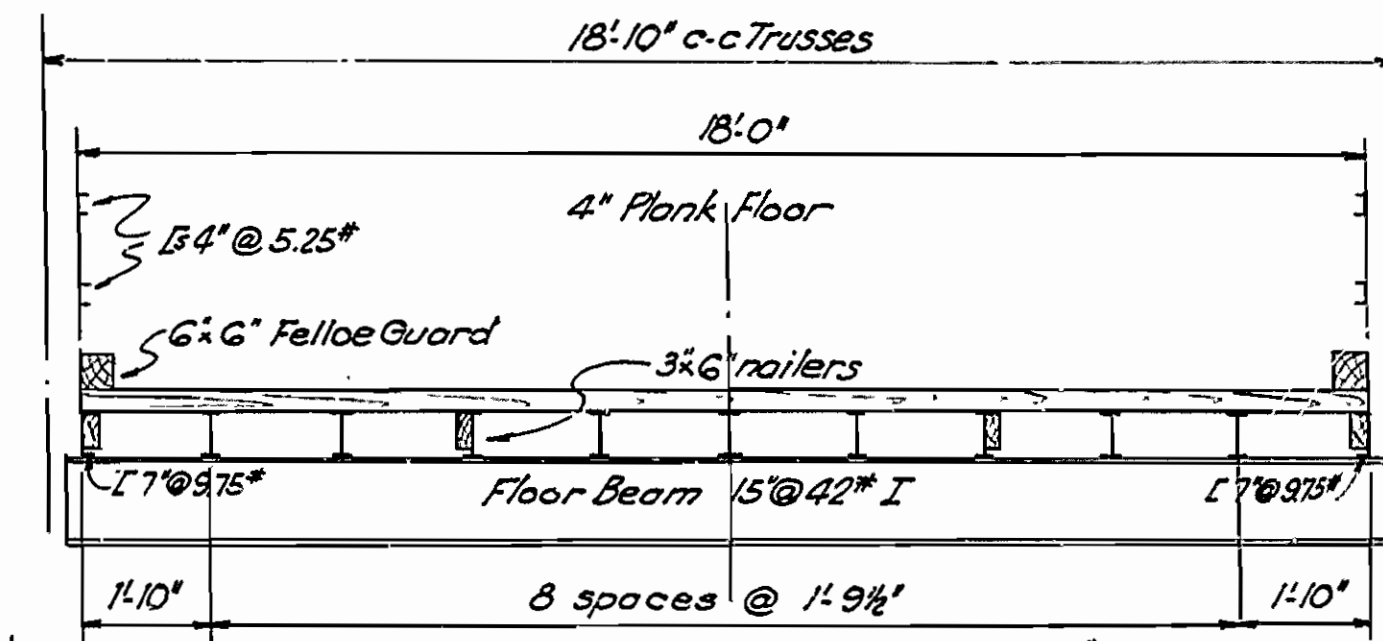
STRUCTURAL STEEL TO BE CLEANED & PAINTED
 Br. No. 1906 Approach 70000 Lbs.
 Br. No. 1906 Truss 120000 Lbs.
 Br. No. 1907 Truss 14000 Lbs.
 TOTAL 204000 Lbs.

SUMMARY OF QUANTITIES

Item No.	Item	Unit	QUANTITY		
			Br. 1906	Br. 1907	TOTAL
96	Structural Steel In Beam Spans	Lbs.	31411	2082	33493
97	Untreated Bridge Timber	MFBM	34,040	3,360	37,400
SP	Cleaning & Painting Steel Bridges				lump sum
SP	Repairing & Remodeling Existing Structures				lump sum

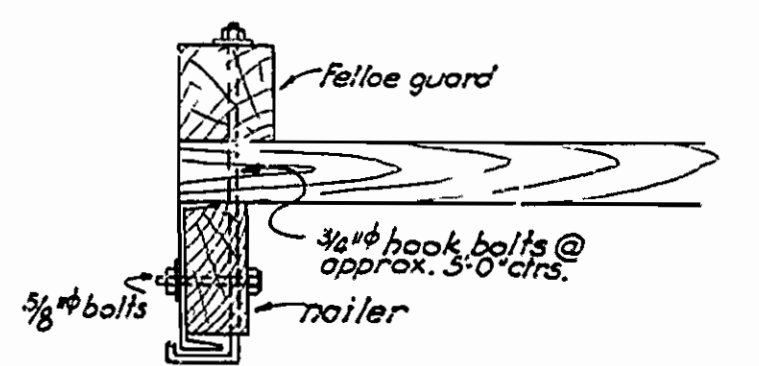


DETAIL OF PLATE UNDER NEW CB STRINGERS AT EACH FLOOR BEAM

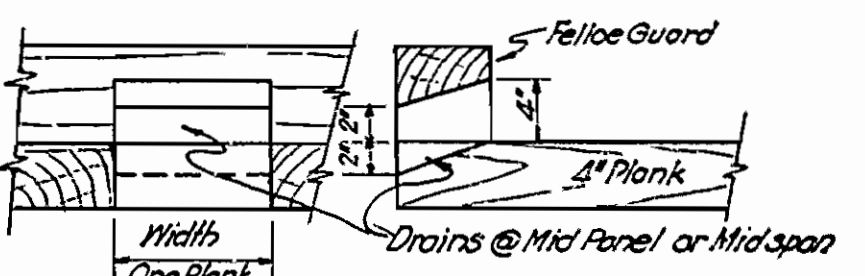


TYPICAL SECTION 40' LOW TRUSS

Showing Stringers respaced, three new stringers added, new deck, nailers & felloe guards in place.



DETAIL OF HOOK BOLT

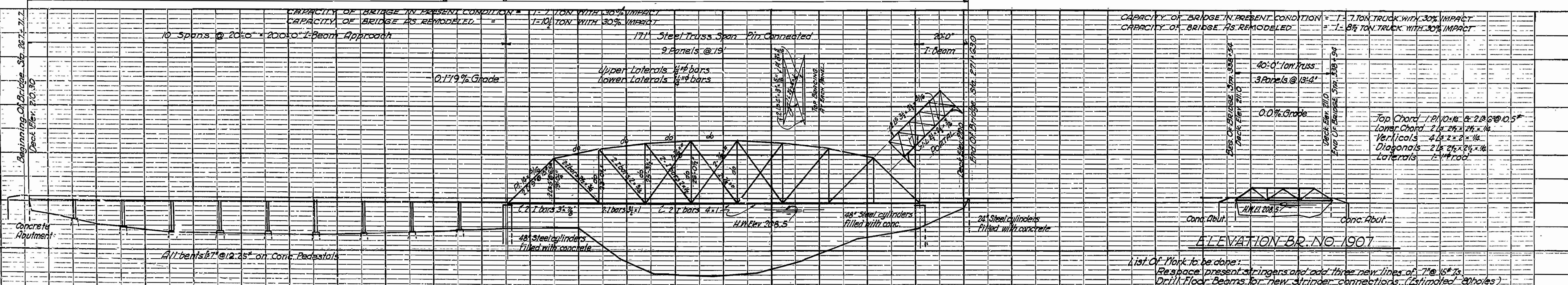


DETAIL OF DRAIN

Cut felloe guard & deck plank as indicated to form drain.

Total Length Of Bridge = 391.3'

DETAIL OF PLATE UNDER CBs AT STIFFENER IS



ELEVATION TYRONZA RIVER BRIDGE BR. NO. 1906

List Of Work To be done:
 Respace present stringers and add three new lines of 8" @ 24" CBs
 Drill floor beams and stiffener IS for new stringer connections (Estimated 900 holes)
 Make minor repairs, tighten all connections, replacing bolts where necessary
 Straighten and realign hand rails
 Clean and Paint all Structural Steel
 Place new deck plank, nailers and felloe guards

GENERAL NOTES:
 All new beams, bolts, etc. are to be paid for at the Unit Price bid for "Structural Steel In Beam Spans"
 All timber to be Untr. White Oak
 Deck plank to have a minimum width of ten (10) inches
 Contractor must verify detailed dimensions in field before ordering any new material

List Of Work to be done:
 Respace present stringers and add three new lines of 7" @ 15" Is
 Drill floor beams for new stringer connections (Estimated 80 holes)
 Make minor repairs, tighten all connections, replacing bolts where necessary
 Straighten and realign hand rails
 Clean and Paint all Structural Steel
 Place new deck plank, nailers and felloe guards

DETAILS FOR PAINTING, REMODELING & RE-DECKING BRIDGES ON TYRIST FERRY-EARLE ROAD CRITTENDEN COUNTY ARKANSAS STATE HIGHWAY COMMISSION LITTLE ROCK, ARK.
 Drawn by F.A.W. Nov. 5, 1934
 BRIDGES NOS. 1906-1907 DRWG. NO. 3903