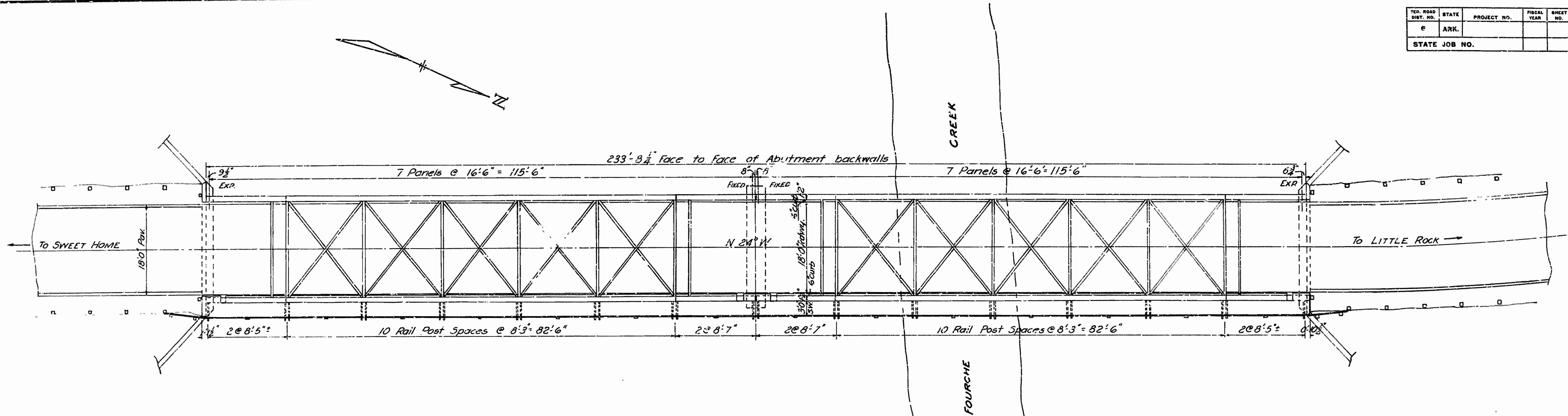


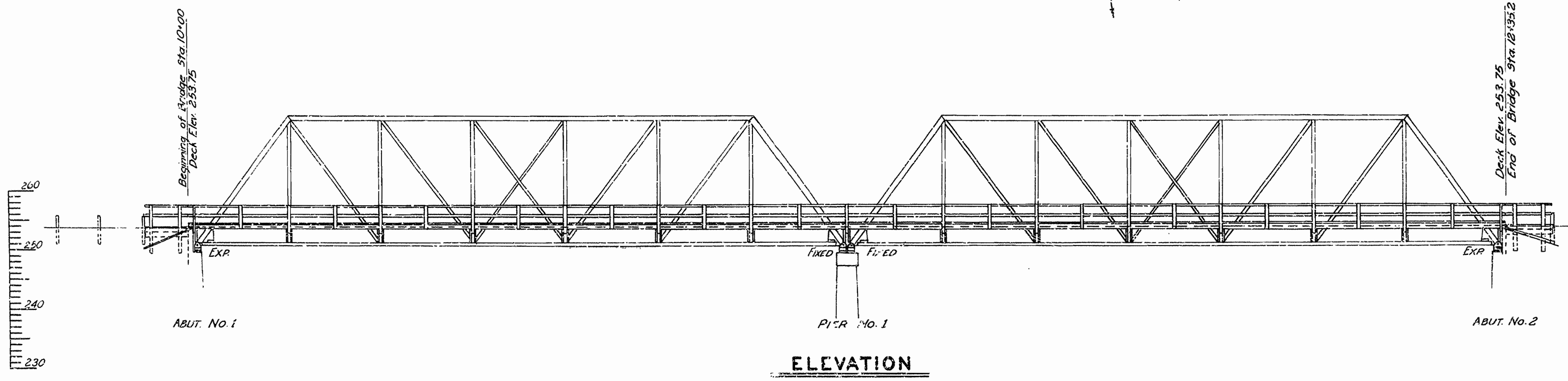
TED. ROAD DIST. NO.	STATE	PROJECT NO.	FISCAL YEAR	SHEET NO.	TOTAL SHEETS
e	ARK.				
STATE JOB NO.					



PLAN

QUANTITIES

ITEM NO.	ITEM	QUANTITY	UNIT
103	Dry Excavation for Structures	4.0	CU.Yd.
807	Structural Steel in Truss Spans	2710	Lb.
809	Treated Bridge Timber	4613	MFTBM.

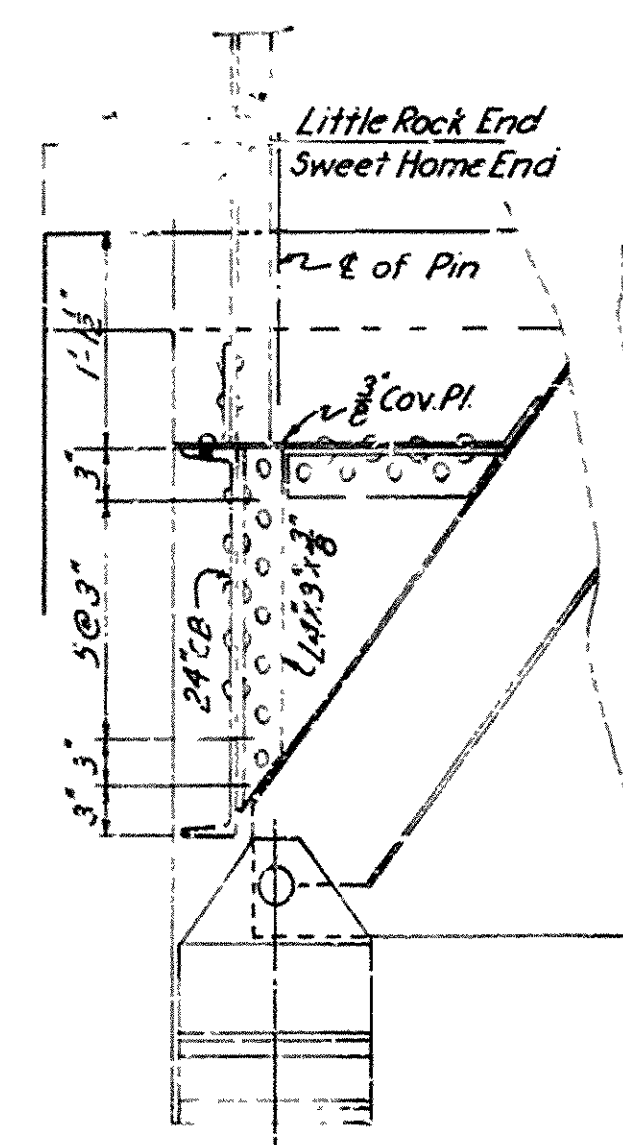


ELEVATION

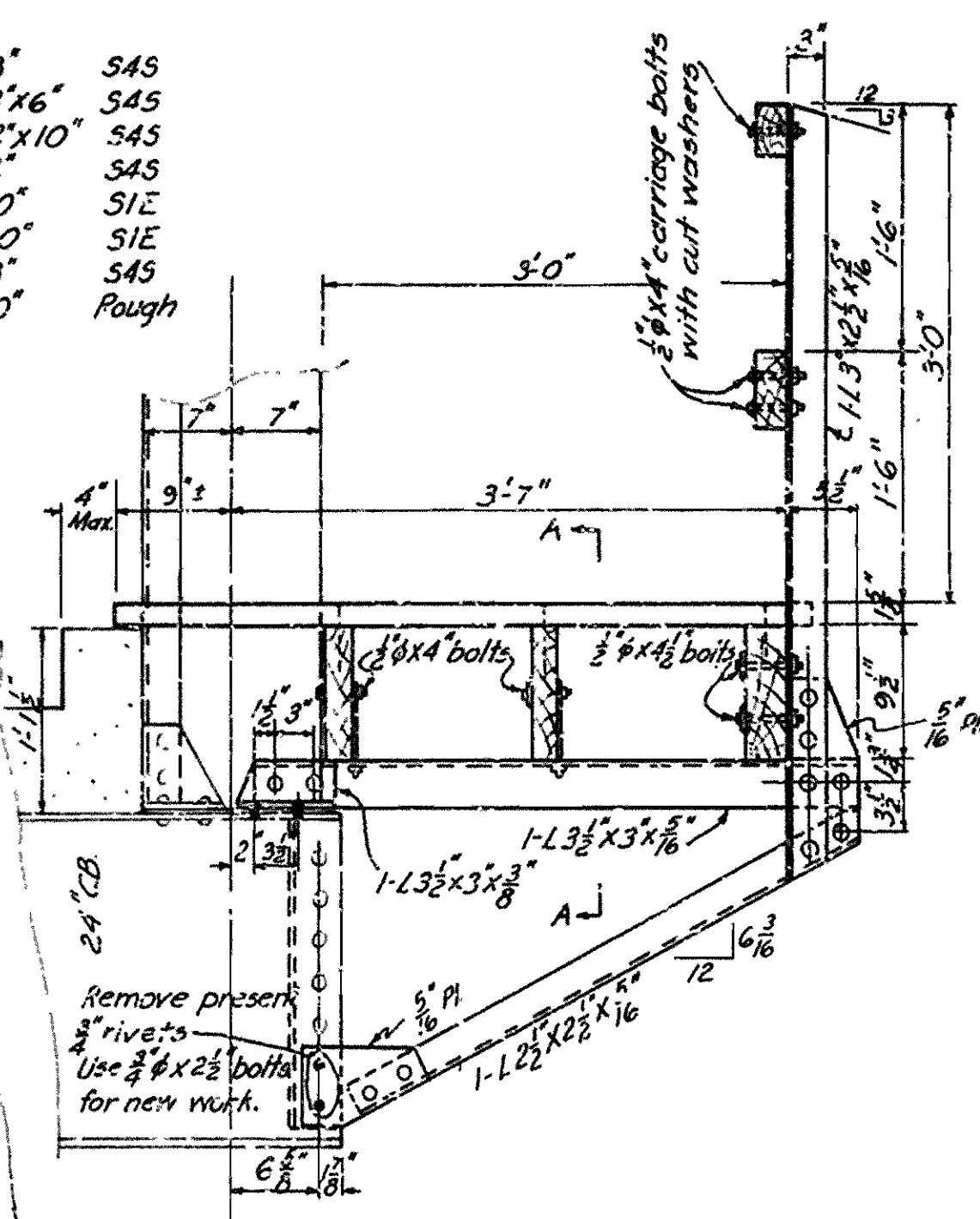
LAYOUT OF
 BRIDGE OVER FOURCHE CREEK
 SWEET HOME-LITTLE ROCK ROAD
 PULASKI COUNTY
 ROUTE 65 SEC. 12
ARKANSAS STATE HIGHWAY COMMISSION
 LITTLE ROCK, ARK.
 Drawn By: WCH Date: 7-11-40
 Traced By: D.A.D. Date: 7-13-40
 Checked By: _____ Date: _____
 Scale: 1 in. = 10 ft.
 BRIDGE NO. 2109 DRAWING NO. 6406

FED. ROAD DIST. NO.	STATE	PROJECT NO.	FISCAL YEAR	SHEET NO.	TOTAL SHEETS
6	ARK.				
STATE JOB NO.					

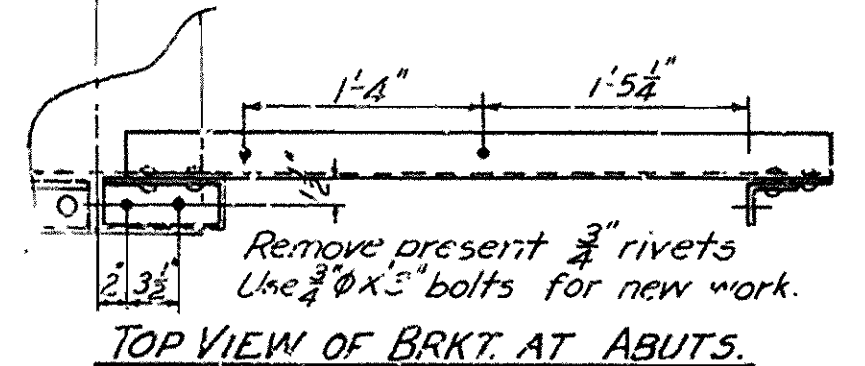
- TREATED TIMBER**
- Mid Panel Rail Posts 3"x8" S4S
 - Rail Members 3"x4" 6"x6" S4S
 - Sidewalk Decking 2"x6", 2"x8" or 2"x10" S4S
 - Bridging 2"x4" S4S
 - Outside Stringers 3"x10" S1E
 - Interior 2"x10" S1E
 - Approach Rail Posts 8"x8" S4S
 - Bulkhead Waling 3"x10" Rough



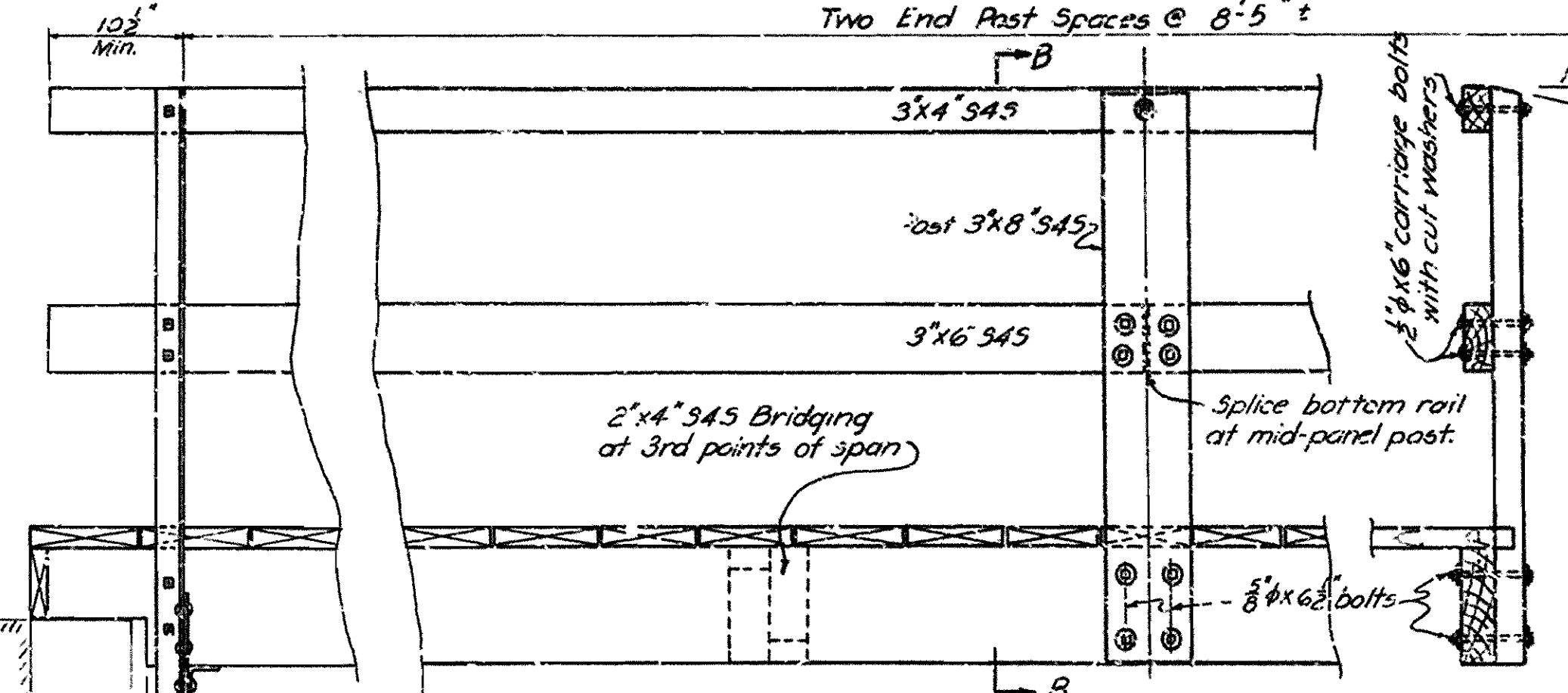
PRESENT DETAILS AT ABUTMENTS



TYPICAL DETAILS AT ABUTS.



TYPICAL DETAILS AT ABUTMENTS



POSTS AT MID-PANEL POINTS - SIDE ELEVATION SEC-B-B

GENERAL NOTES

All timber to be Southern Yellow Pine or Pacific Coast Douglas fir. All timber shall be treated with Wolman Salts, see Special Provisions. Malleable or cast iron washers to be used under heads and nuts of all bolts when in contact with wood. All hardware and bolts in contact with wood to be painted with red lead prior to construction and all exposed portions to be painted after construction is completed. All hardware shall be paid for at the unit price bid for structural steel in truss spans.

Rivets 3/8"; Open holes 1/8", unless otherwise noted. Use 5/8" bolts for structural steel field connection unless otherwise noted. Payment for removing present rivets and drilling holes in vertical of truss span shall be included in price bid for structural steel.

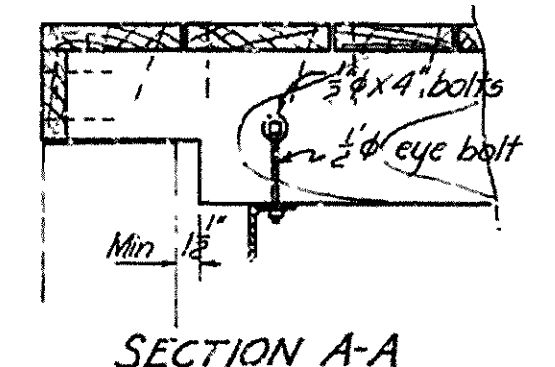
Shop paint for structural steel: One coat of red lead and raw linseed oil before shipment. Field paint: 1st coat, white lead tinted with lamp black; 2nd coat, aluminum paint.

Timber rail members and posts to be given two coats of white lead and a top coat of aluminum paint.

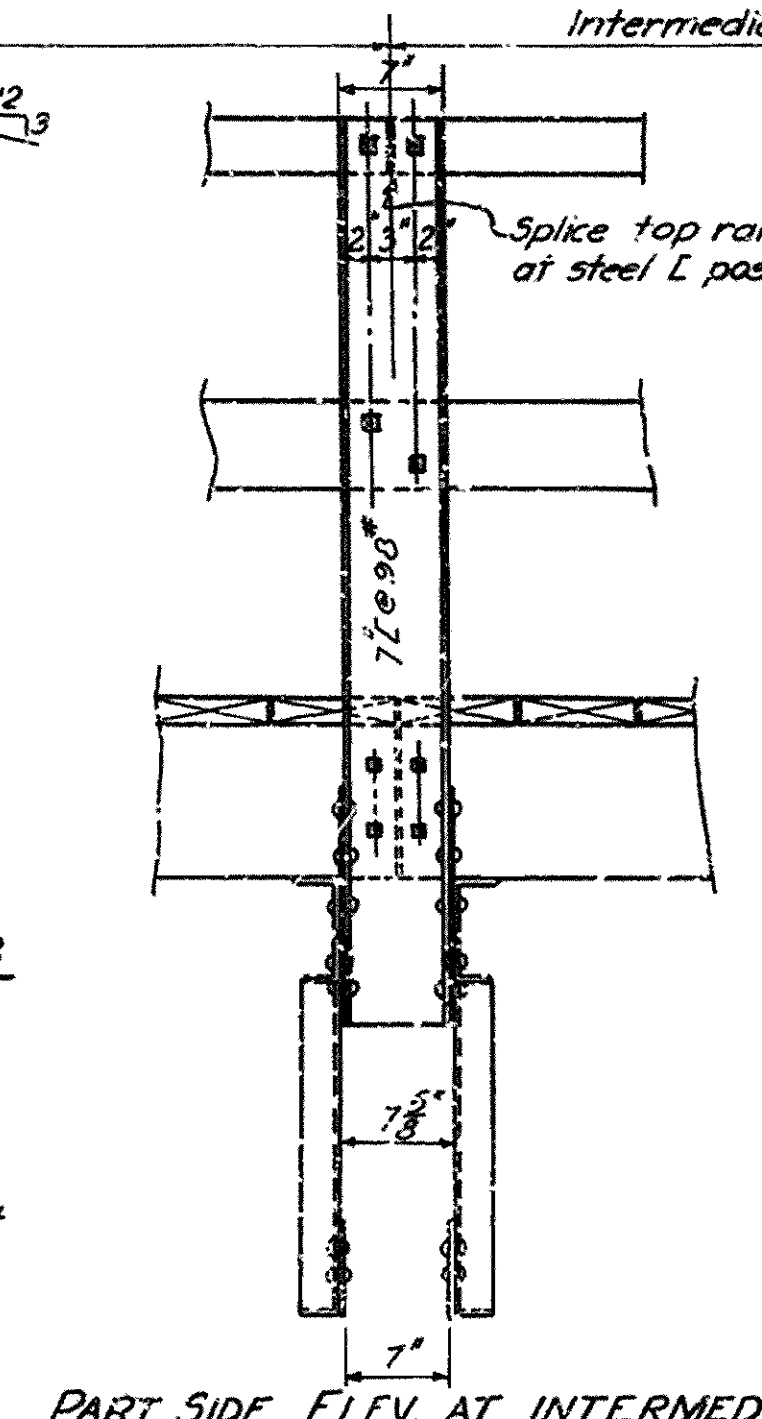
Dimensions shown are general only. Detailed dimensions are to be secured and verified in the field before construction is begun and shop drawings are made. Shop drawings shall be made in compliance with specifications and be approved before fabrication is begun.

Specifications: Arkansas State Highway Commission Standard Specifications for Road and Bridge Construction, adopted March 1, 1940.

PART SIDE ELEV. AT ABUT.

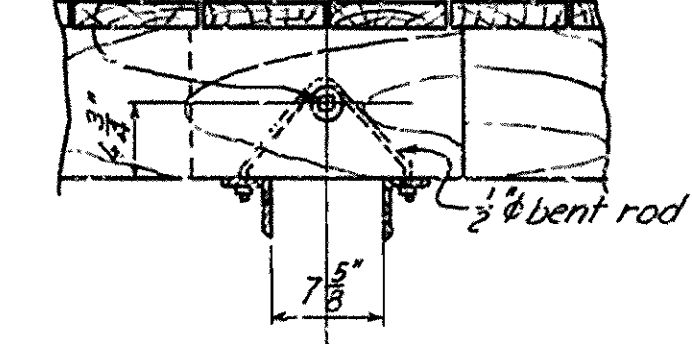


SECTION A-A

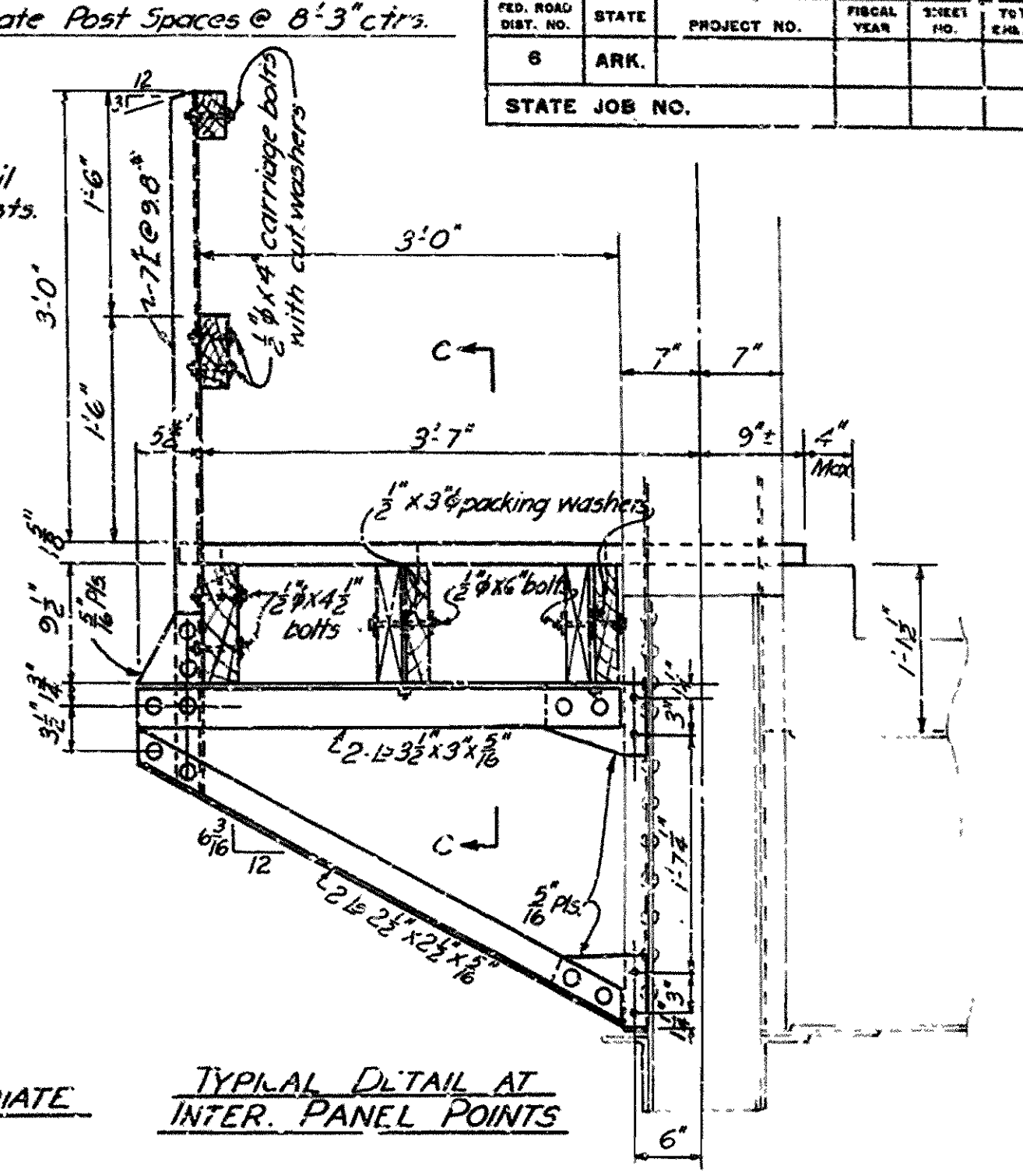


PART SIDE ELEV. AT INTERMEDIATE

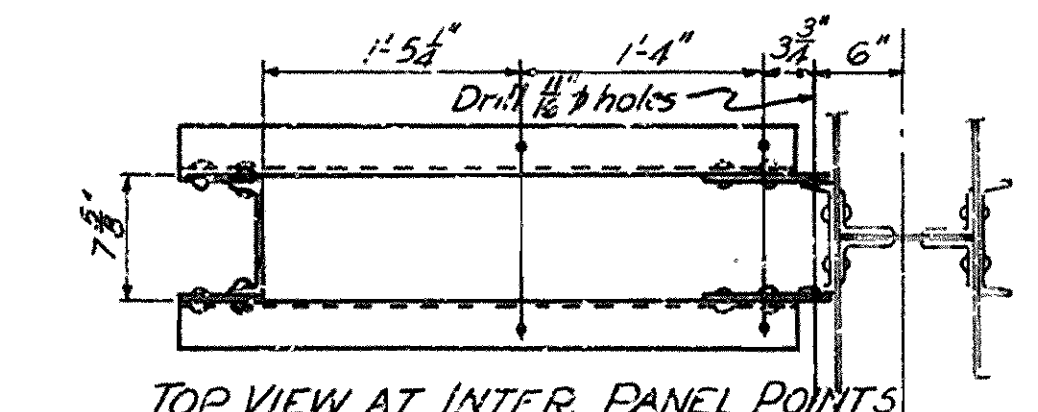
PANEL POINTS



SECTION C-C



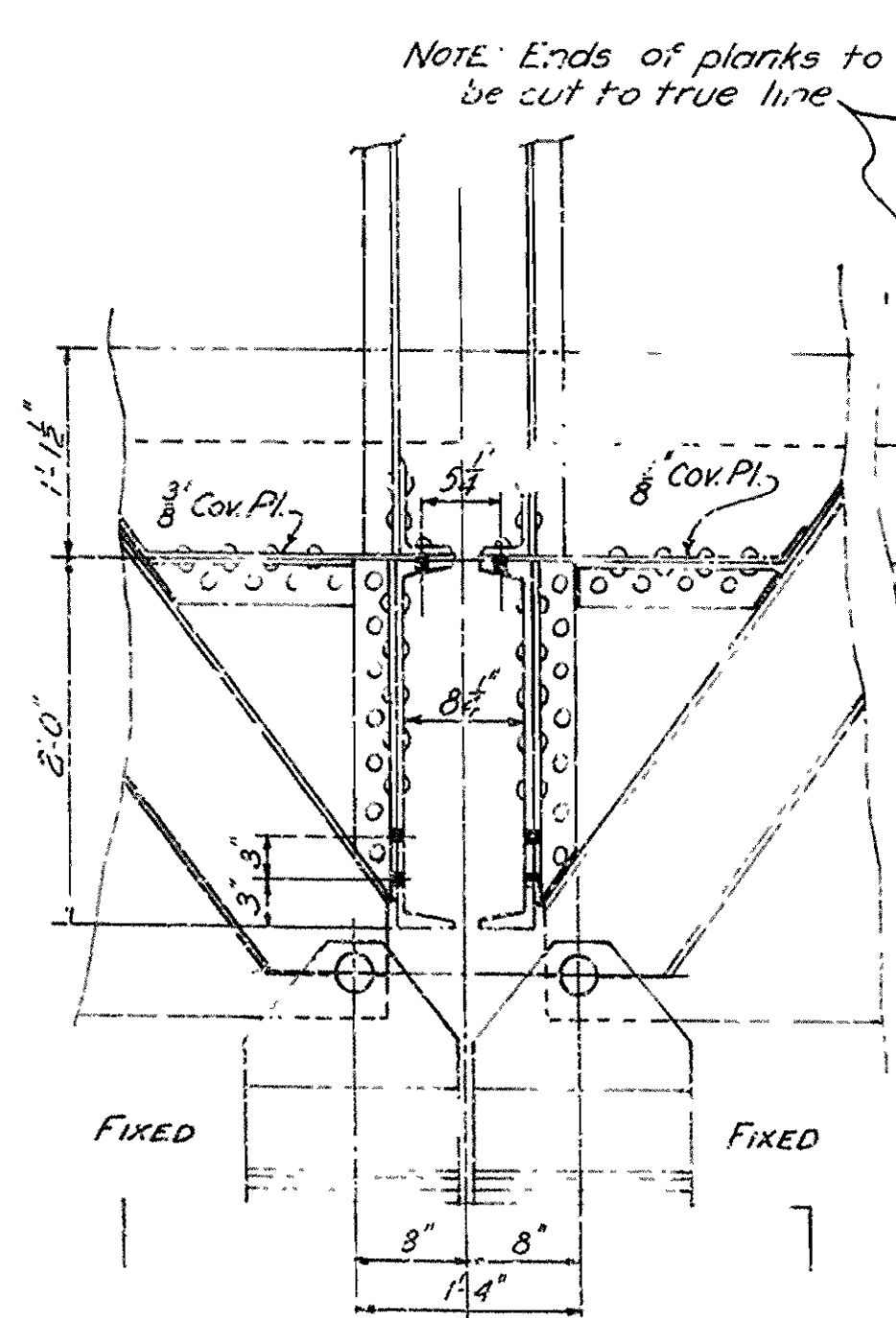
TYPICAL DETAIL AT INTER. PANEL POINTS



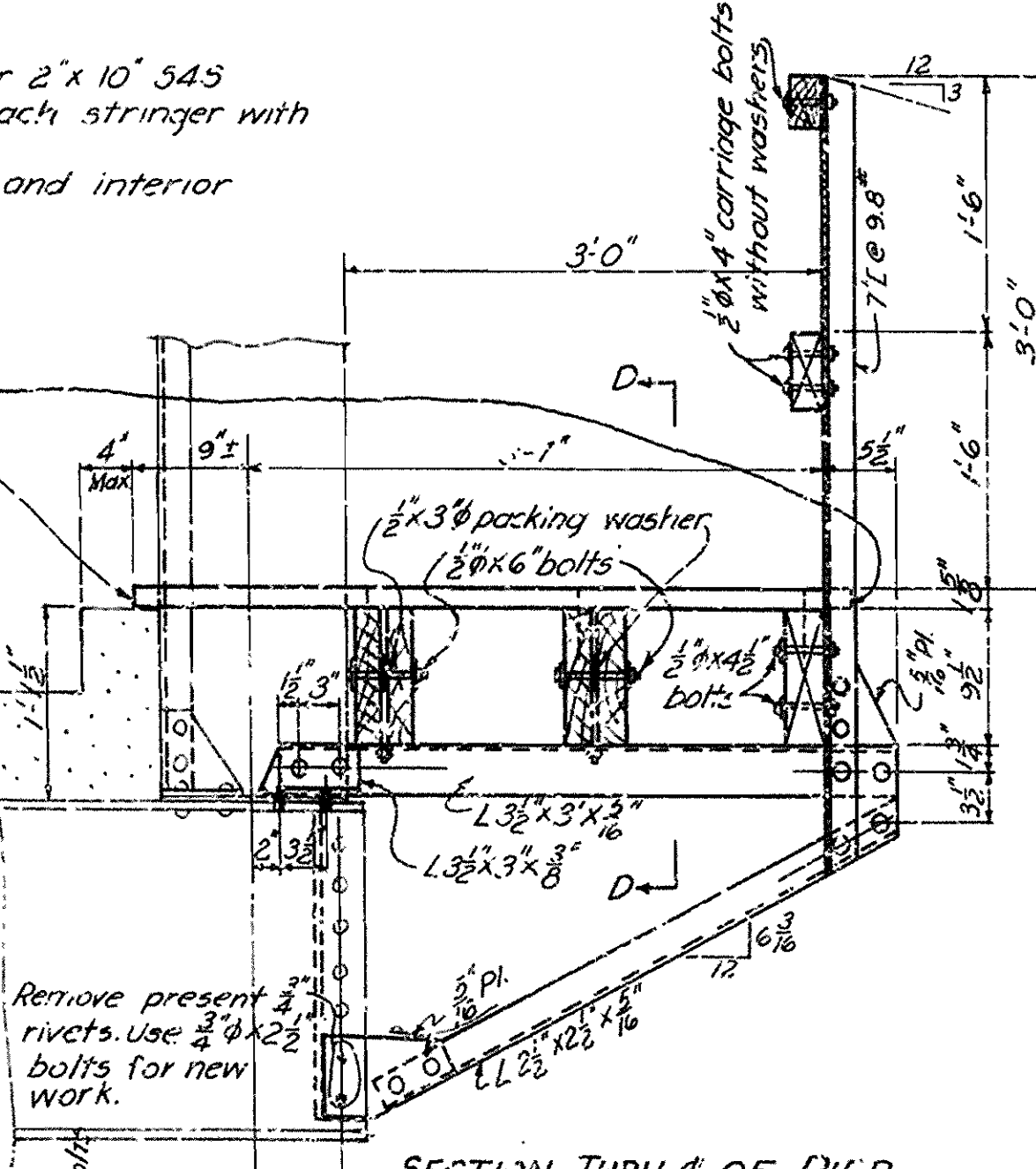
TOP VIEW AT INTER. PANEL POINTS

TYPICAL DETAILS AT INTERMEDIATE PANEL POINTS

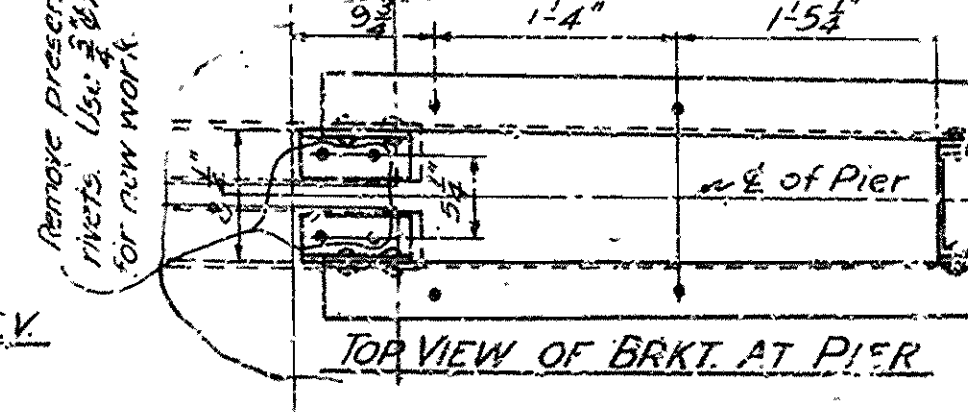
NOTE: Sidewalk planks to be 2"x6", 2"x8", or 2"x10" S4S and each plank shall be nailed to each stringer with 2-40d spikes. Outside stringers to be 3"x10" S1E and interior stringers to be 2"x10" S1E.



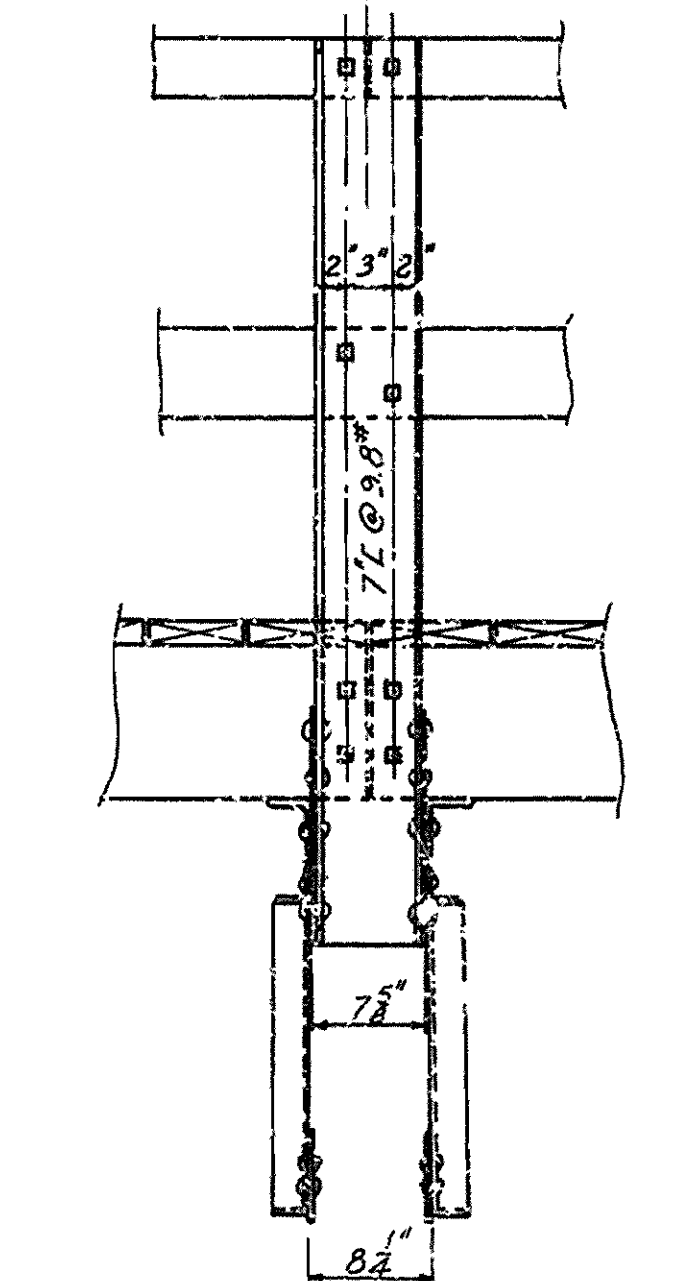
PRESENT DETAILS AT PIER - SIDE ELEV.



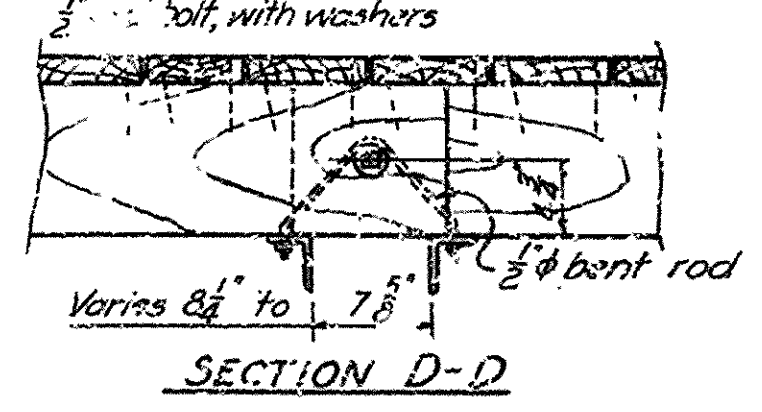
SECTION THRU PIER SHOWING TYPICAL DETAILS



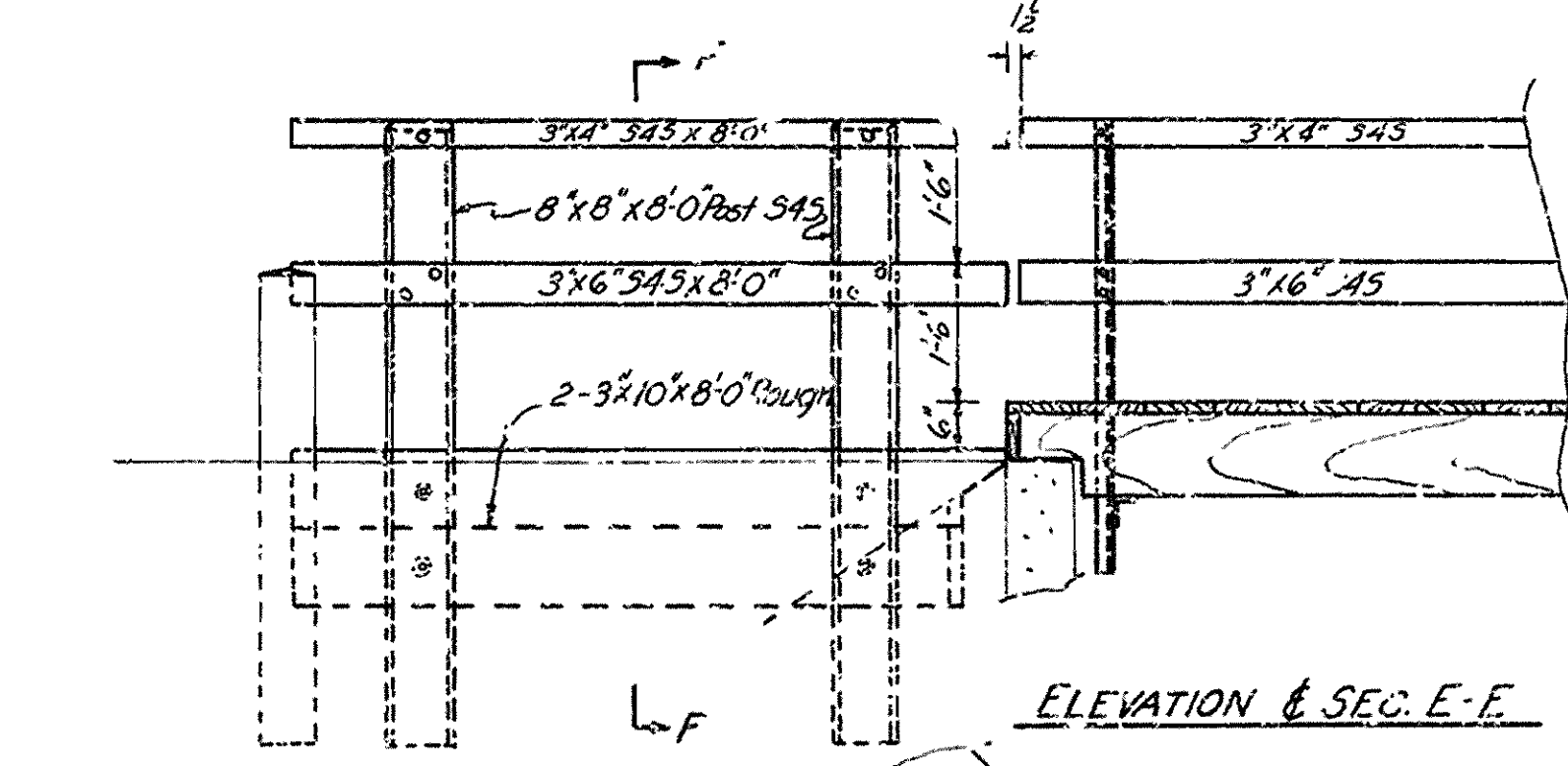
DETAILS AT PIER



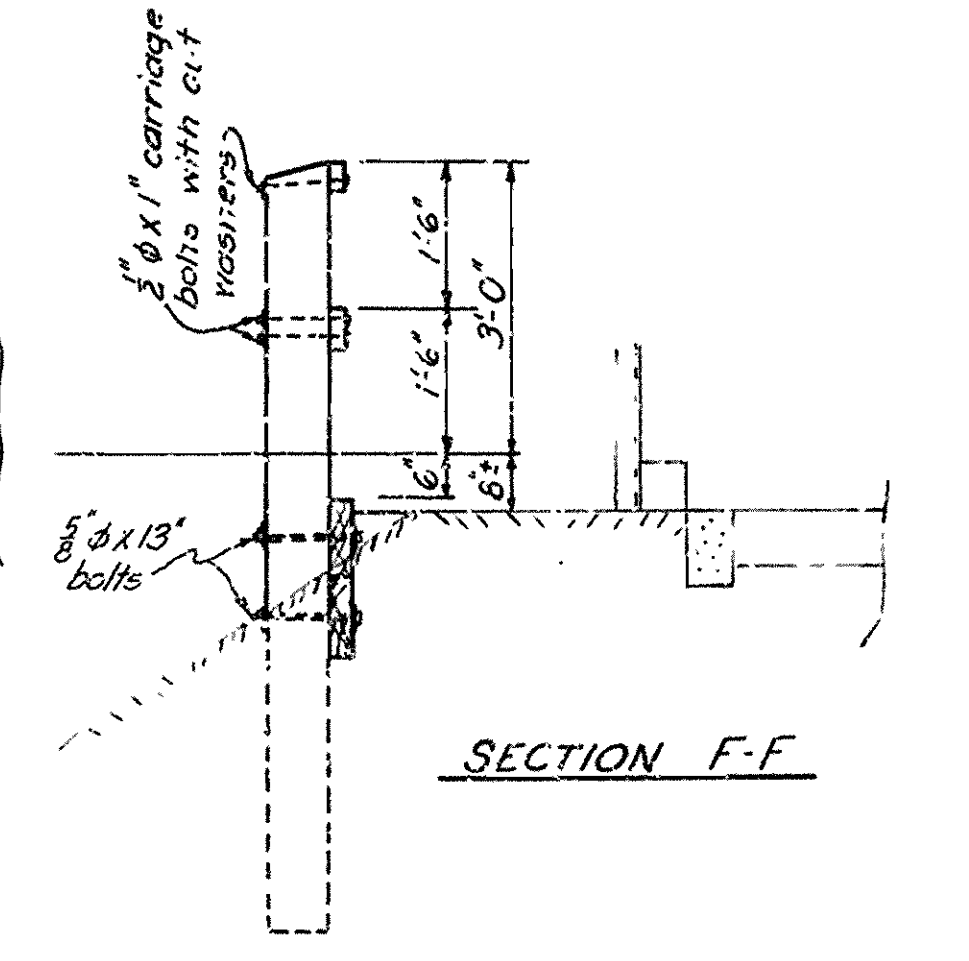
PART SIDE ELEV. AT PIER



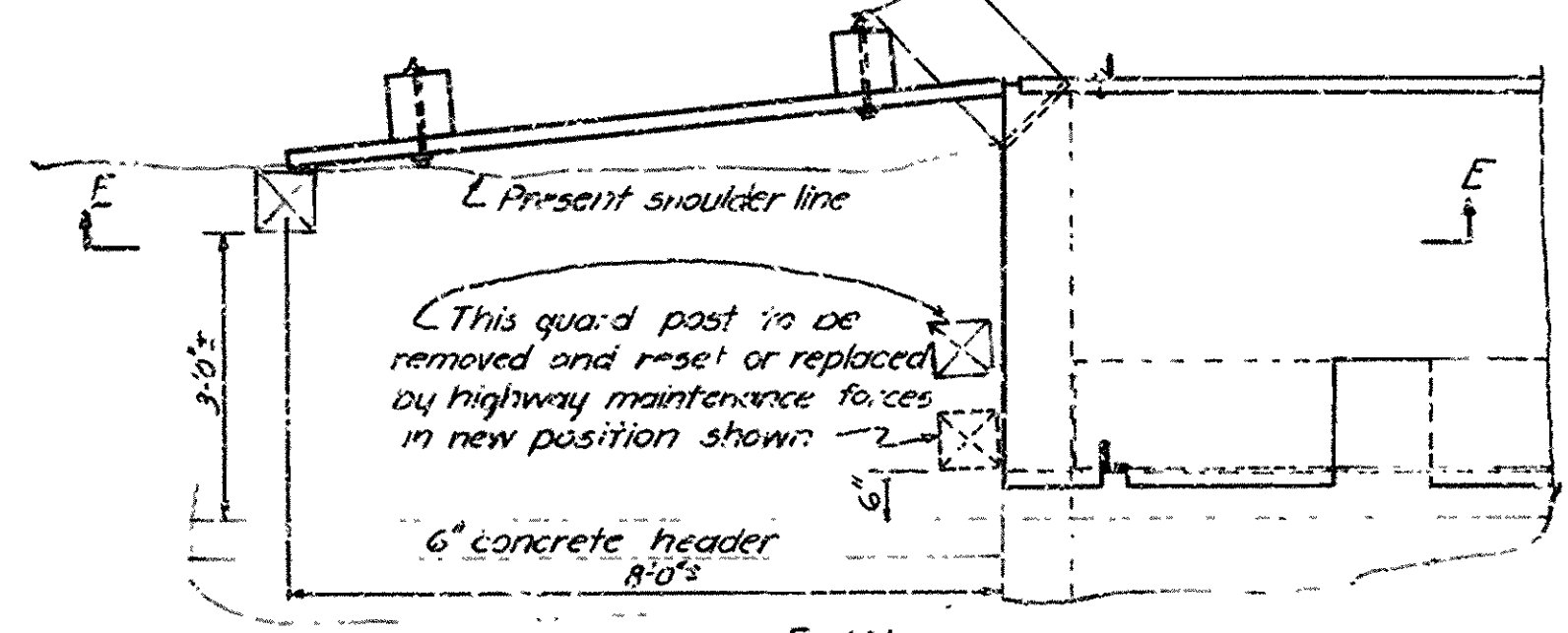
SECTION D-D



ELEVATION & SEC. E-F



SECTION F-F

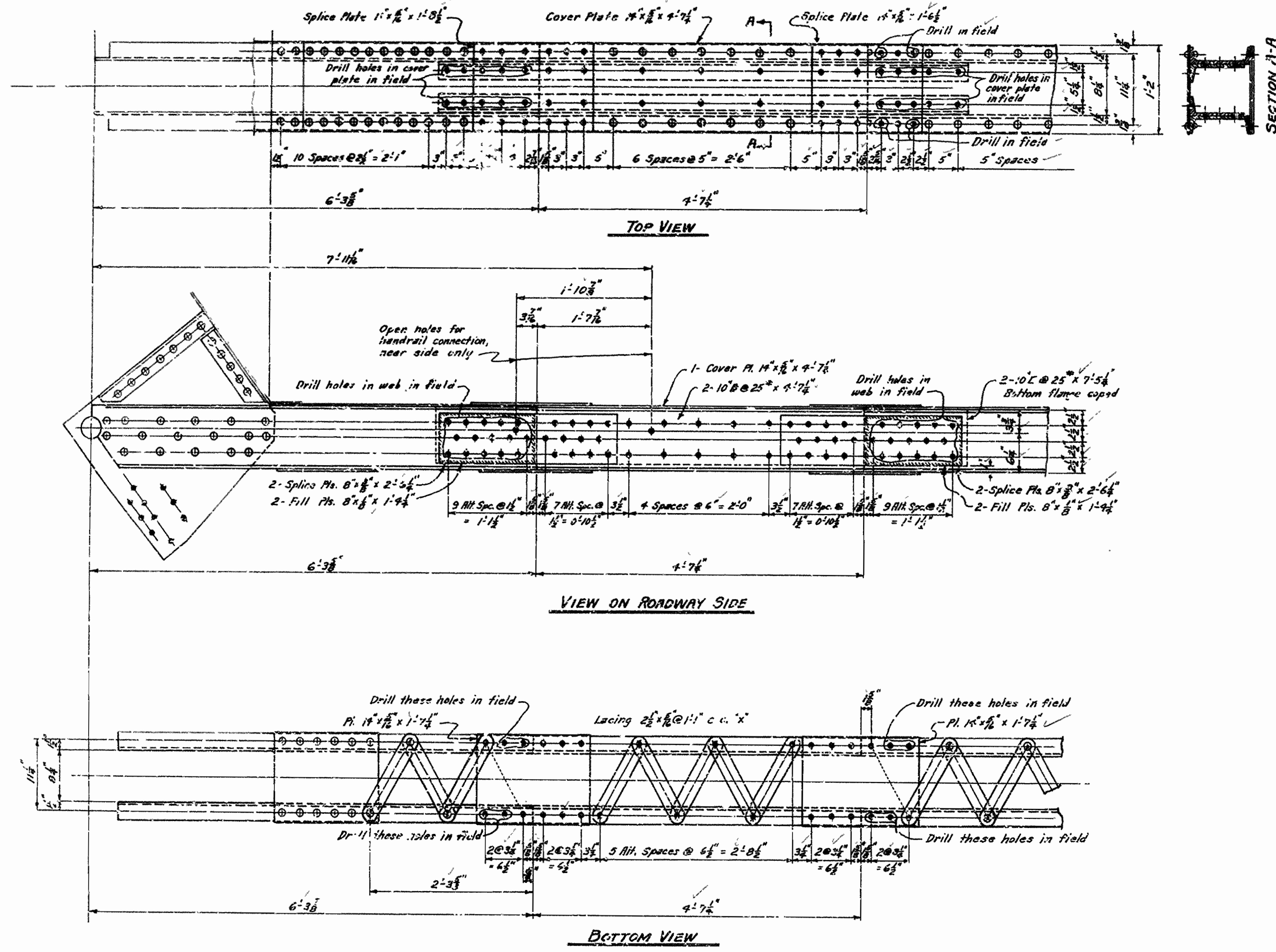


APPROACH RAILING AND BULKHEAD AT ABUTS.

DETAILS OF SIDEWALK ON OUTSIDE OF EAST TRUSSES OF BRIDGE OVER FOURCHE CREEK SWEET HOME - LITTLE ROCK ROAD PULASKI COUNTY ROUTE 65 SEC. 12

ARKANSAS STATE HIGHWAY COMMISSION LITTLE ROCK, ARK. Drawn By: WCH Date: 7-10-40 Traced By: JAD Date: 7-17-40 Checked By: Date: Scale: 1 in. = 1 ft. Except as noted. BRIDGE NO. 2109 DRAWING NO. 6407

FED. ROAD DIST. NO.	STATE	PROJECT NO.	FISCAL YEAR	SHEET NO.	TOTAL SHEETS
6	ARK.				
STATE JOB NO.					



1-THUS-L₀U₁-SPLICE
 NOTE: See Drawing No 6407-A for General Notes.

SHEET NO. 2 OF 2
 DETAILS OF REPAIRS TO
 FOURCHE CREEK BRIDGE
 NEAR BIDDLE SHOPS, LITTLE ROCK, ARK.
 PULASKI COUNTY

ROUTE 65 SEC. 12
 ARKANSAS STATE HIGHWAY COMMISSION
 LITTLE ROCK, ARK.
 Drawn By: W.C.H. Date: 11-2-43
 Traced By: W.C.H. Date: 11-3-43
 Checked By: E.A.W. Date: 11-3-43
 Scale: 1 in = 1 ft.
 BRIDGE NO. 2109 DRAWING NO. 6407-B