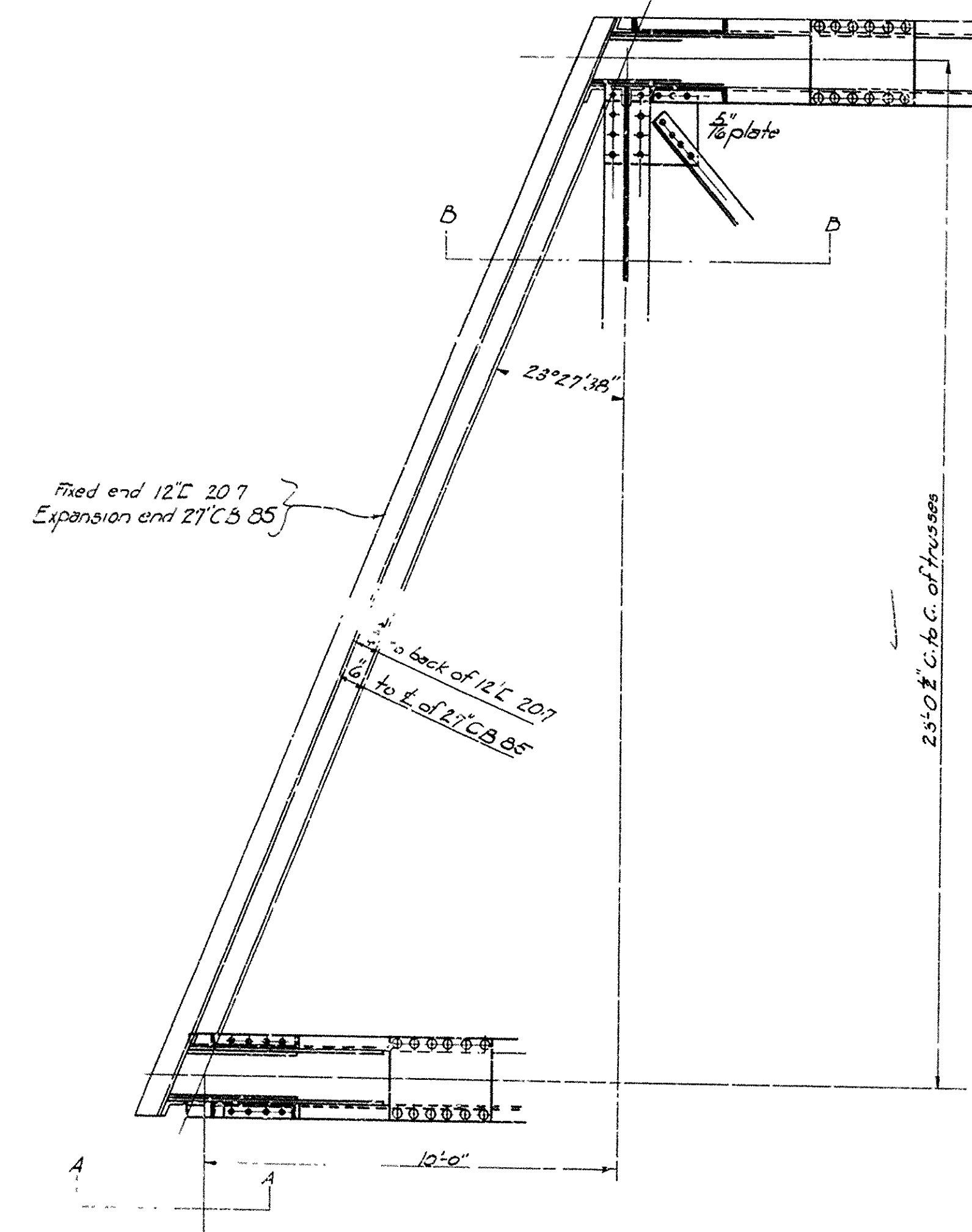
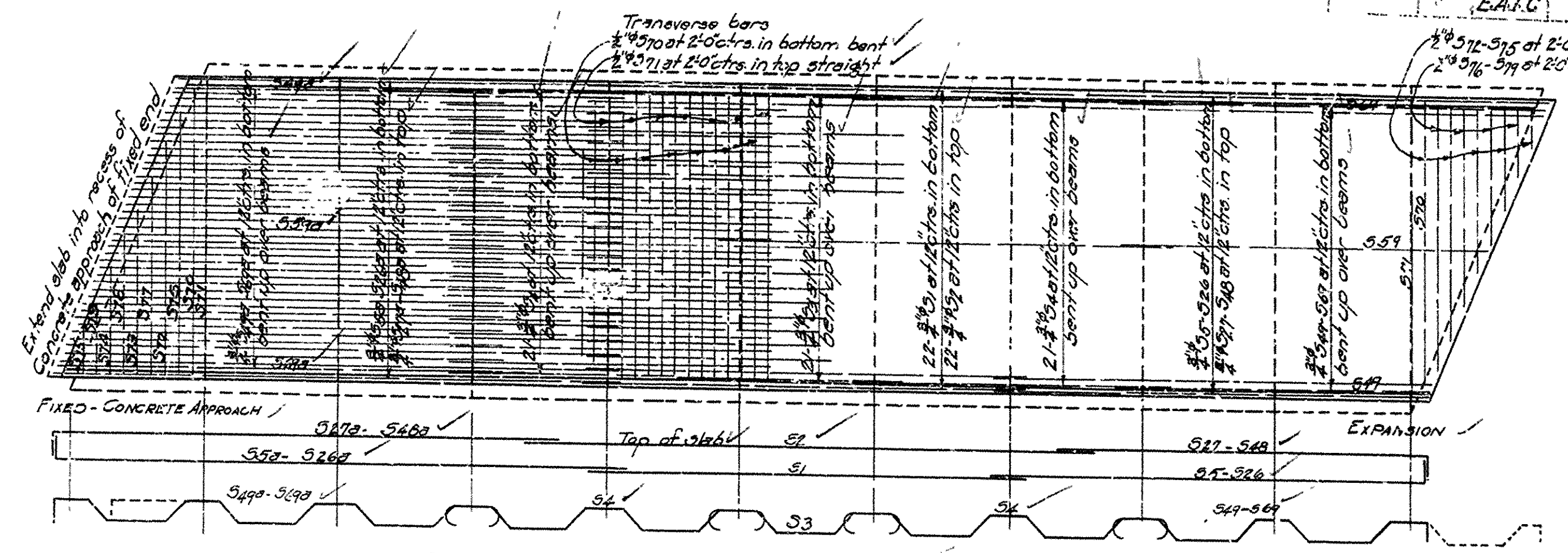
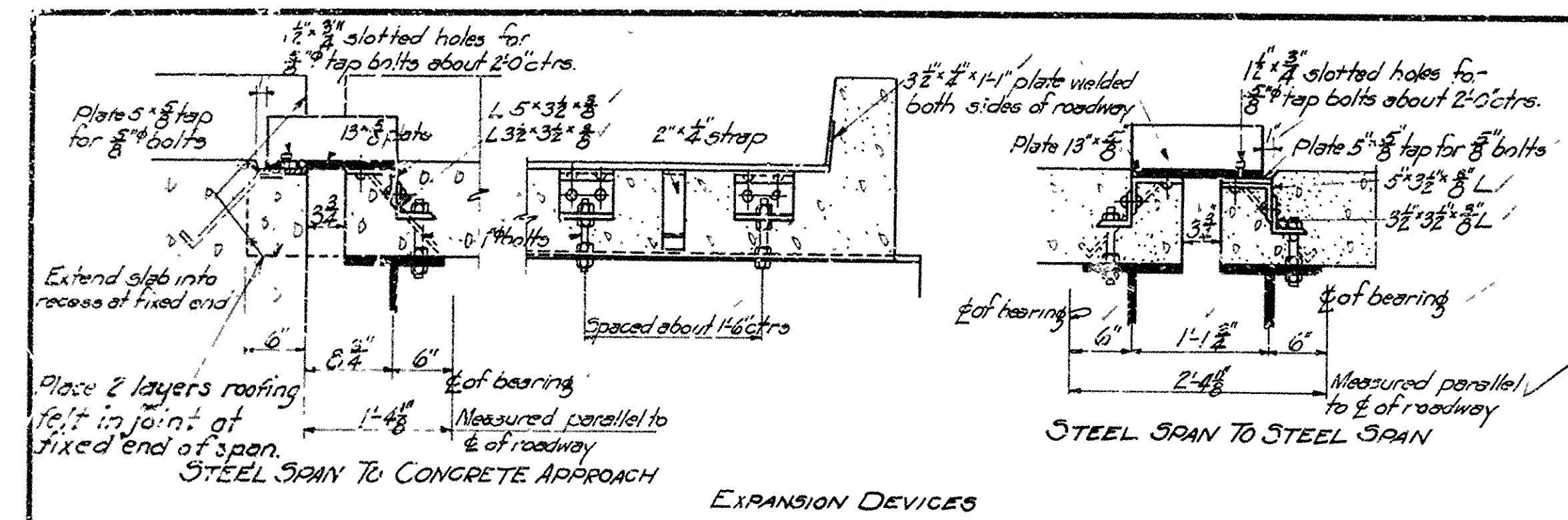
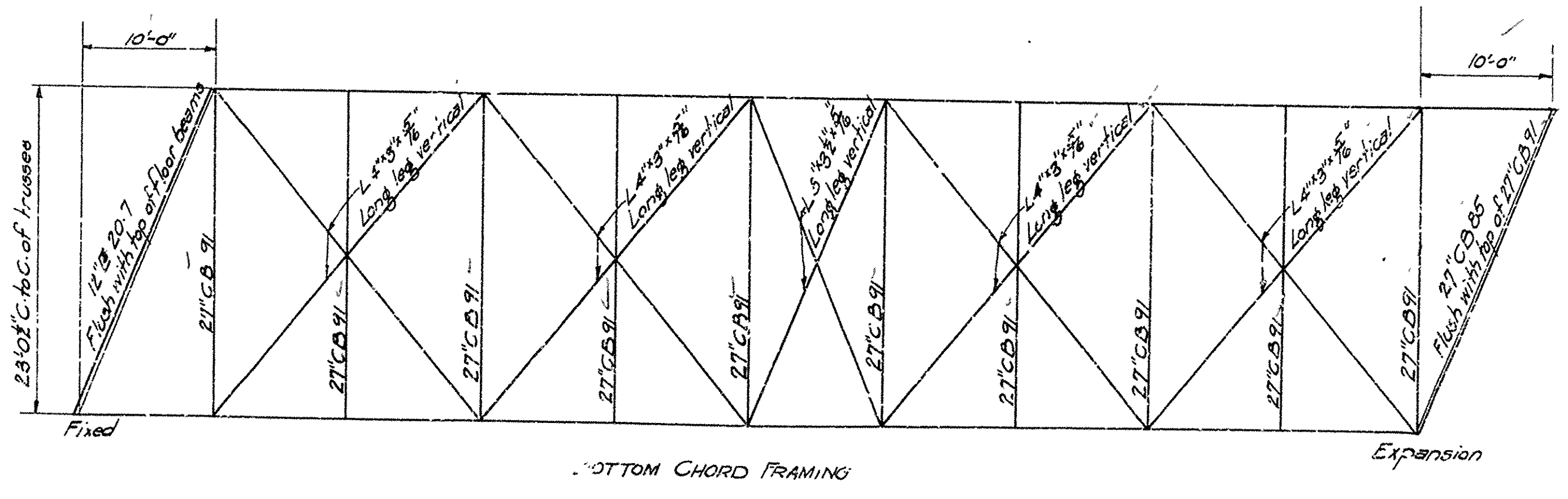
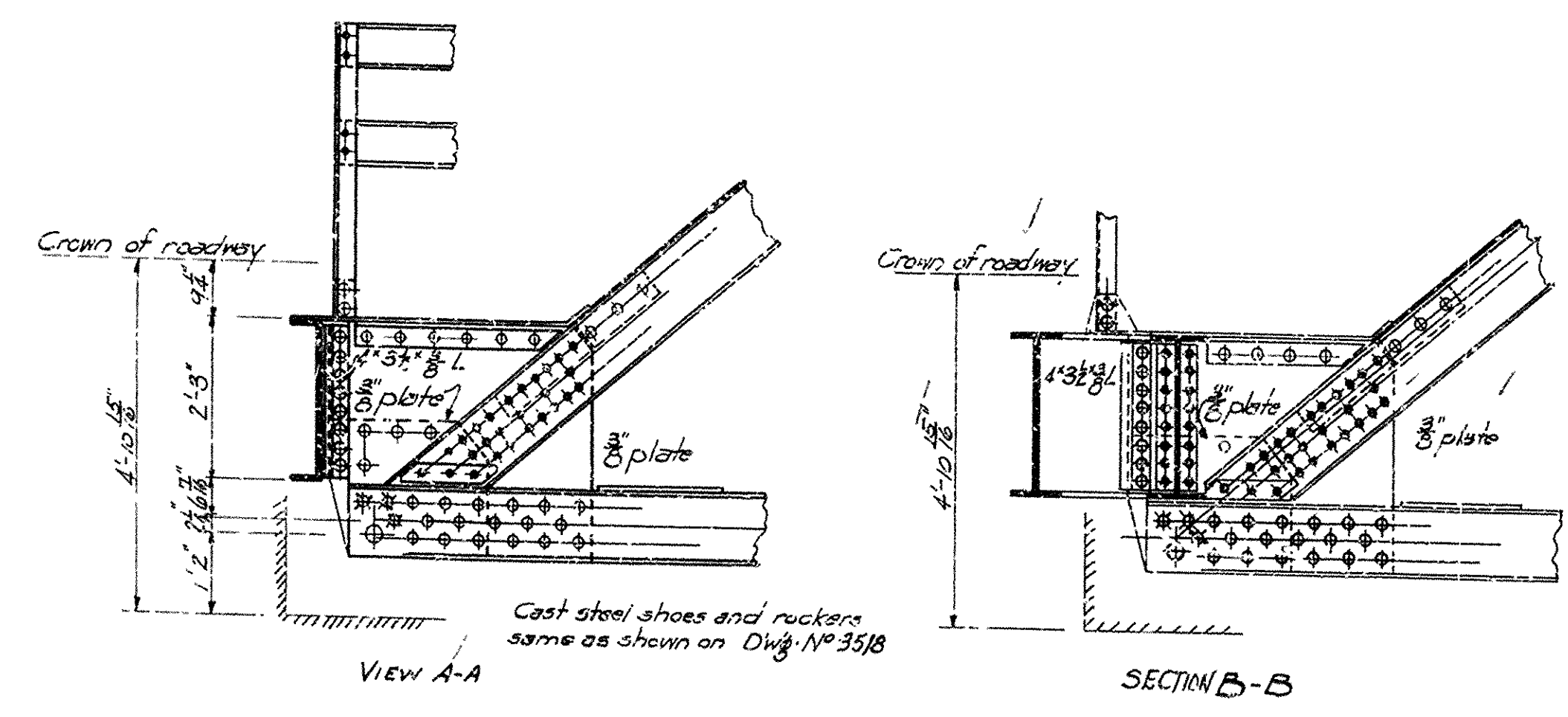
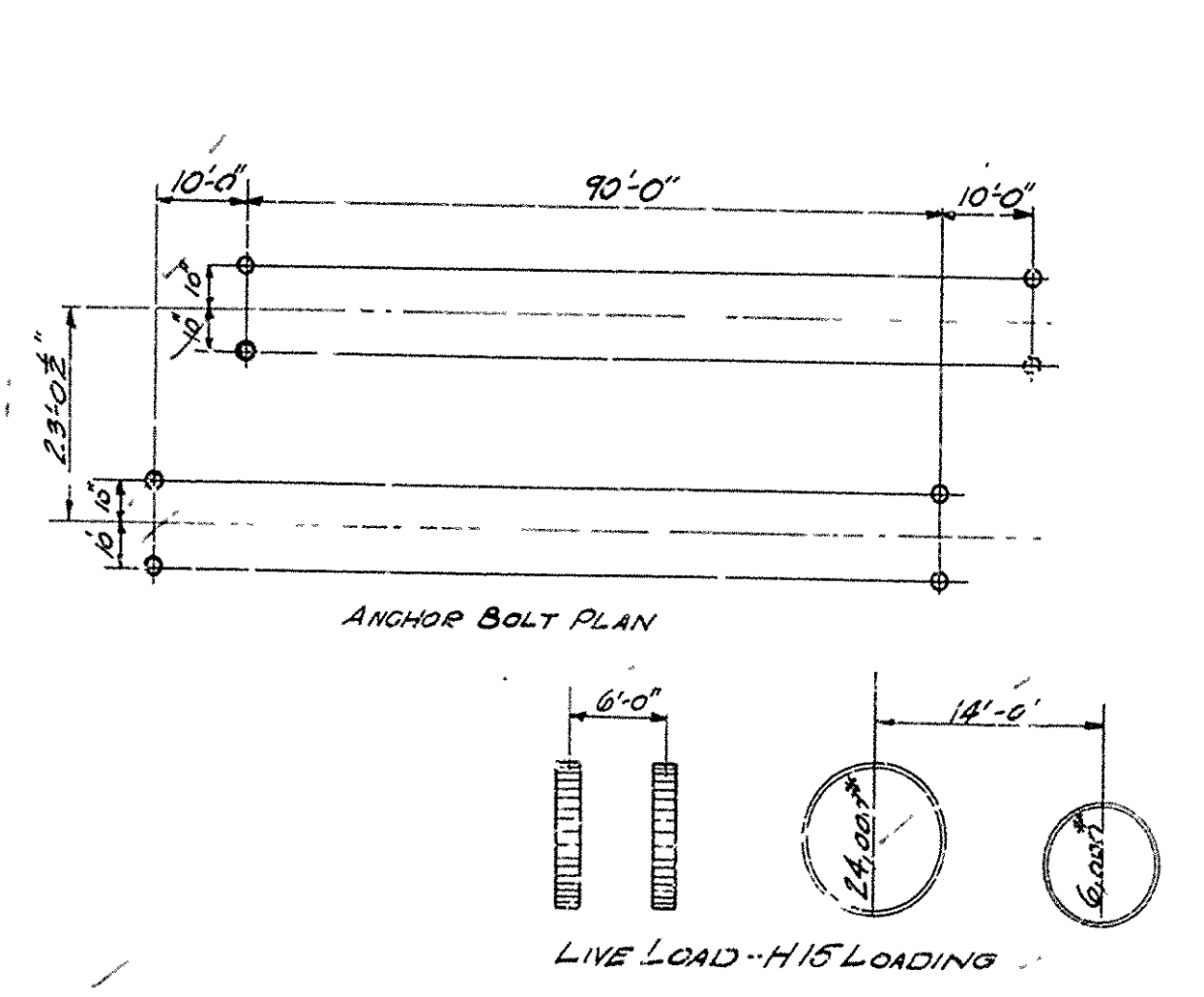
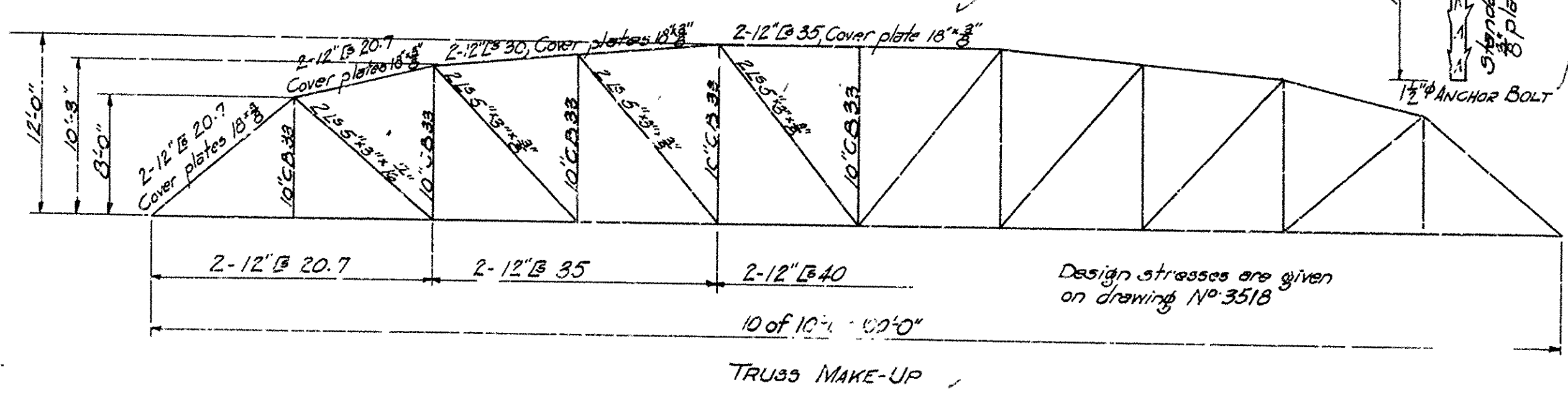


FISCAL YEAR	1931	PROJECT NO.	100-410	SHEET NO.	27	TOTAL SHEETS	37
-------------	------	-------------	---------	-----------	----	--------------	----



Mark	Size	Length	A	Bending diagram	Mark	Size	Length	A	B	Bending diagram
S1	3/4"	32'-6"		Straight	S4	3/4"	26'-4"			
S2	3/4"	42'-6"		Straight	S4-S5	3/4"	Varies 25'-5" to 29'-10"	3'-5"	7'-10"	
S5-S26	3/4"	Varies 33'-0" to 42'-2"			S4-S39	3/4"	Varies 26'-5" to 30'-0"	4'-5"	0'-10"	
S27-S28	3/4"	Varies 28'-0" to 37'-2"			S40-S49	3/4"	Varies 30'-8" to 34'-7"	2'-3 1/2"	Varies 1'-0" to 4'-11"	
S29-S30	3/4"	Varies 33'-1" to 42'-7"			S50-S58	3/4"	Varies 31'-7" to 35'-6"	3'-2 1/2"	Varies 1'-0" to 4'-11"	
S31-S32	3/4"	Varies 28'-0" to 36'-8"			S59	3/4"	20'-9"			
S33-S34	3/4"	Varies 28'-7" to 37'-7"			S3	3/4"	16'-0"			
S35	3/4"	23'-3"								
S36-S37	3/4"	Varies 17'-10" to 41'-0"								
S38-S39	3/4"	Varies 17'-0" to 5'-2"								
S40	3/4"	20'-9"								



UNIT STRESSES
 Concrete 750 Lbs. per sq. in.
 Reinforcing steel 16,000 Lbs. per sq. in.
 Structural steel 16,000 Lbs. per sq. in.

STANDARD PLAN
100'-0" LOW TRUSS SPAN
20'-0" CLEAR ROADWAY
ONE PANEL SKEW RIGHT

ARKANSAS STATE HIGHWAY COMMISSION
 LITTLE ROCK, ARK.

Drawn By: *LB* Date: _____
 Traced By: *Paul* Date: 7-9-31
 Checked By: _____ Date: _____

Scale: _____ in. = ft.

BRIDGE NO. _____ DRAWING NO. 3519

M.B. Lawler
 BRIDGE ENGINEER

For details not shown and for notes, see drawing No. 351B