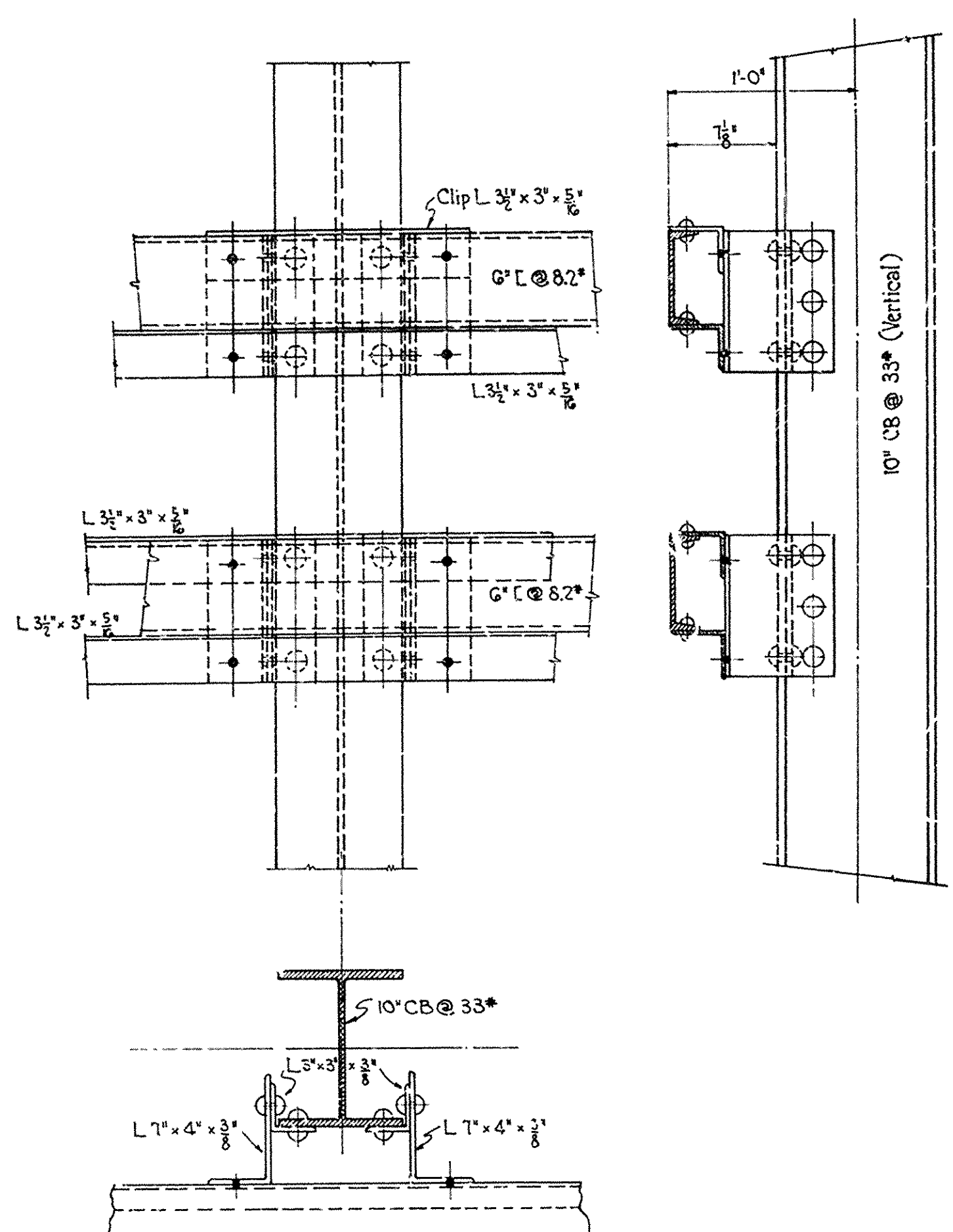
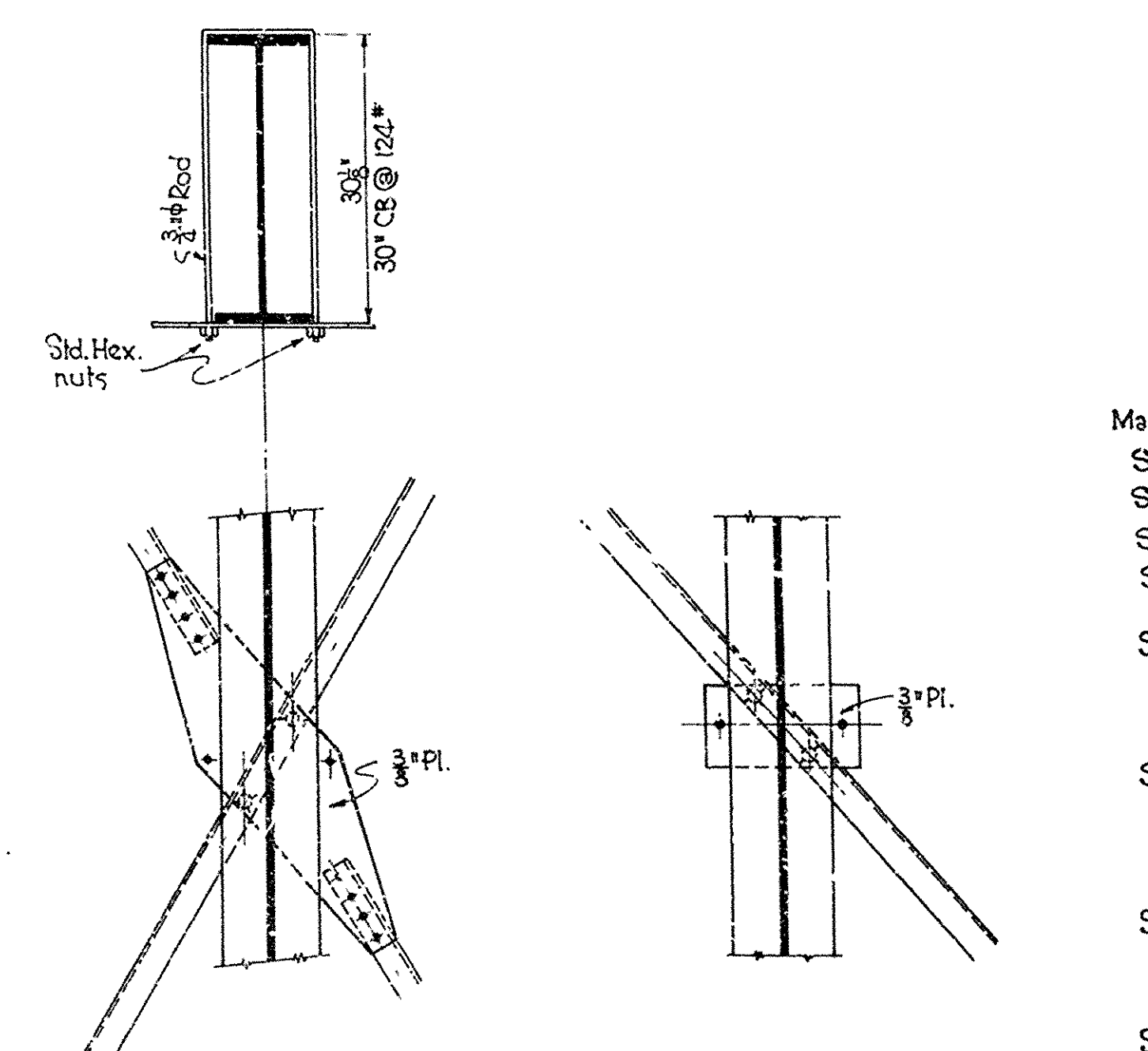


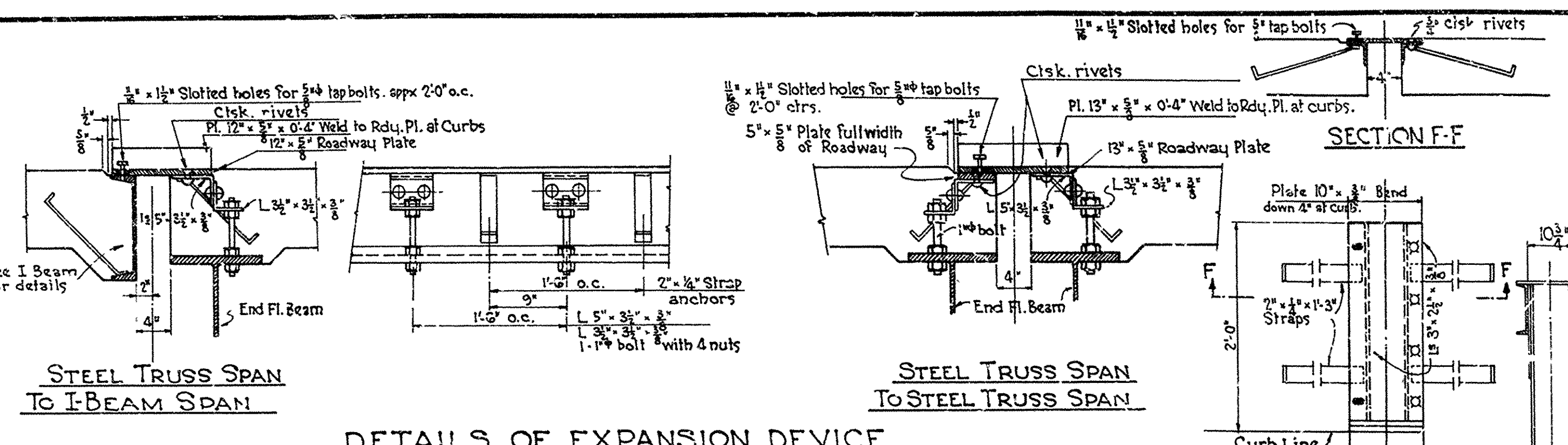
FED. ROAD DIST. NO.	STATE	PROJECT NO.	FISCAL YEAR	SHEET NO.	TOTAL SHEETS
6	ARK.				
STATE JOB NO.					



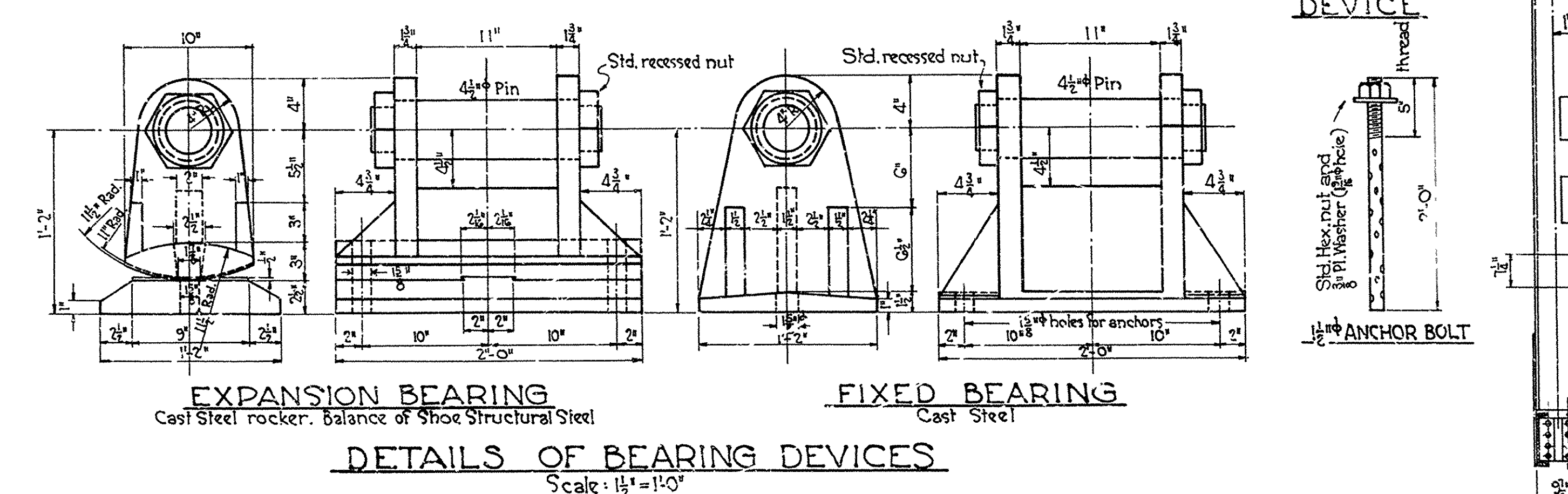
TYPICAL HANDRAIL CONNECTIONS
Scale: 1/2" = 1'-0"



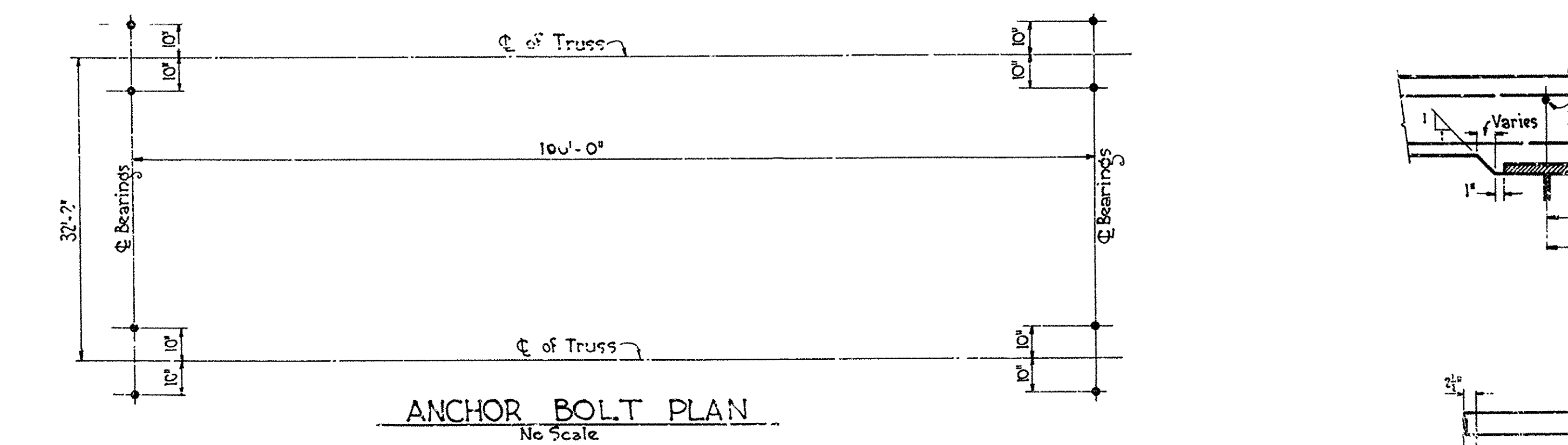
DETAIL OF LATERAL HANGERS
Scale: 3/4" = 1'-0"



DETAILS OF EXPANSION DEVICE
Scale: 1" = 1'-0"

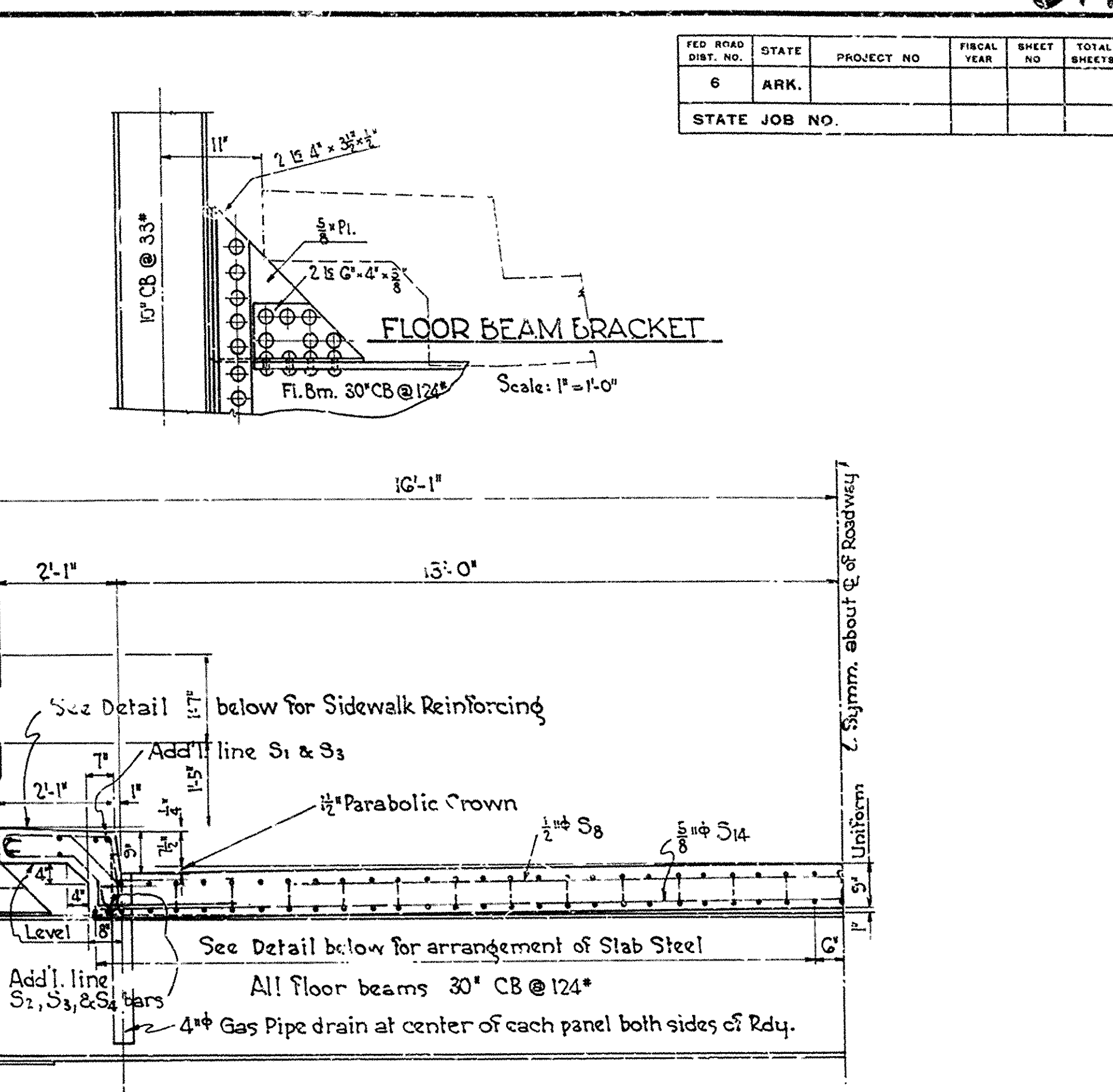


DETAILS OF BEARING DEVICES
Scale: 1 1/2" = 1'-0"

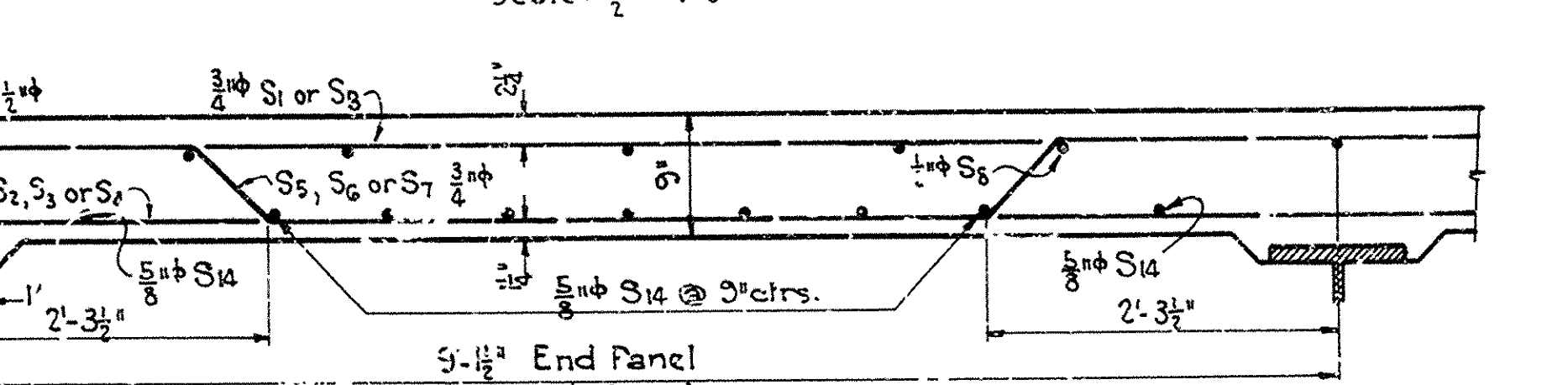


ANCHOR BOLT PLAN
No Scale

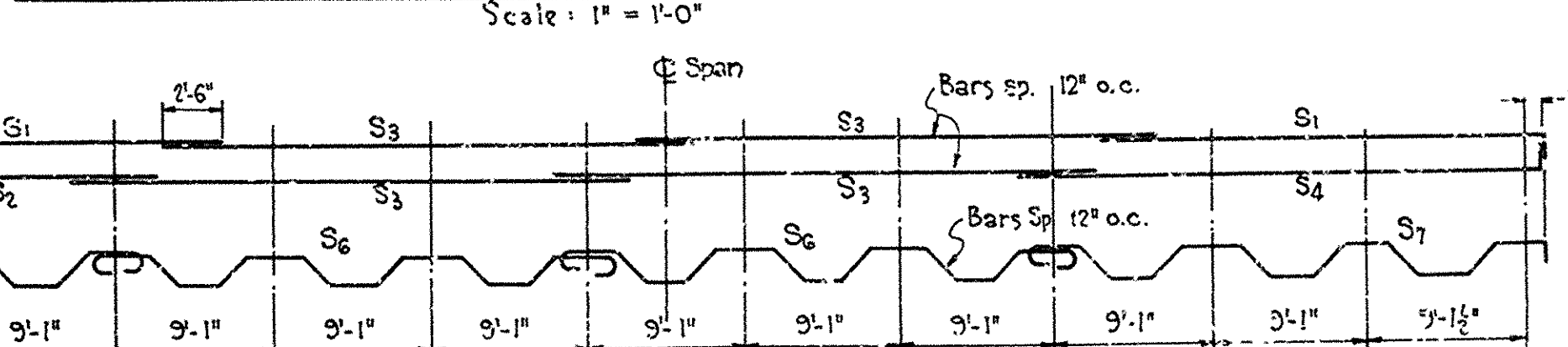
Mark	No.	Size	Length	A	B	C	D	Diagram
S1	24'-8"	24'-2 1/2"	5 1/2"					
S2	20'-2"	19'-8 1/2"	5 1/2"					
S4	29'-3"	28'-9 1/2"	5 1/2"					
S3	29'-3"		Straight					
S7	3 1/2"	31'-0"	3'-8"	4'-6"	5 1/2"	2'-0 1/2"		
S6	3 1/2"	33'-4"	3'-8"	4'-6"	5 1/2"			
S5	3 1/2"	22'-1"	3'-8"	4'-6"	5 1/2"	2'-0 1/2"		
S11	1/2"	4'-9"	1'-1"	10'	2'-0"	1'-2"		
S12	1/2"	4'-0"	1'-9"	1'-3"				
S5	1/2"	4'-10"	1'-0"	5 3/8"	6"	7 1/2"		



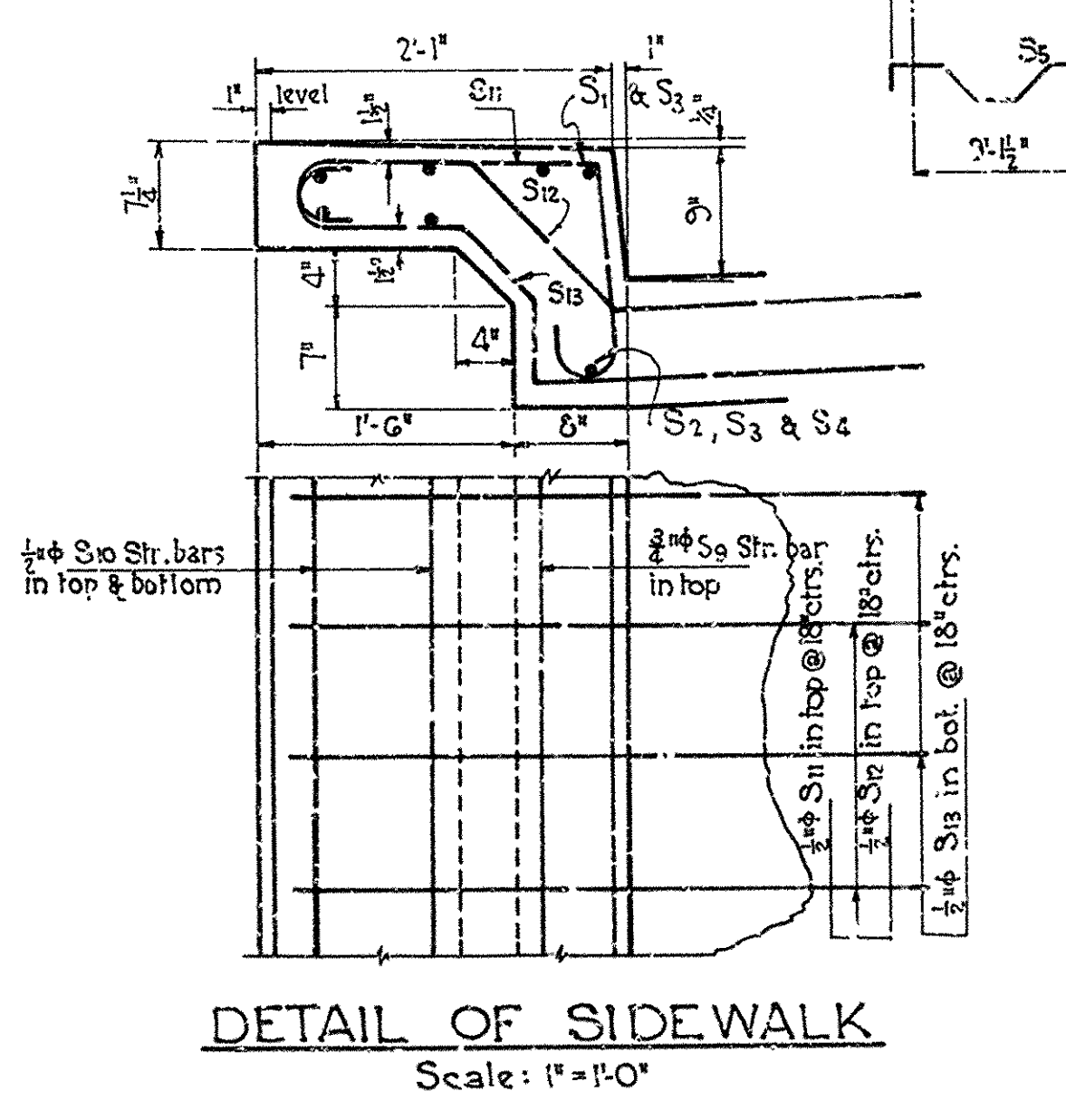
SECTION AT CENTER OF PANEL
Scale: 1/2" = 1'-0"



TYPICAL ARRANGEMENT OF REINF. IN PANEL
Scale: 1" = 1'-0"



ARRANGEMENT OF SLAB BARS



DETAIL OF SIDEWALK
Scale: 1" = 1'-0"

REVISED Aug. 17, 1939
Added lines of S1, S4, S5 & S6 bars at curbs.
Bars S8 1/2" in bottom of slab replaced by 5/8" S14

SHEET 2 OF 2
DETAILS OF
100'-0" LOW TRUSS SPAN
26'-0" CLEAR ROADWAY 2'-2'-0" SIDEWALKS
ROUTE SEC.

ARKANSAS STATE HIGHWAY COMMISSION
LITTLE ROCK, ARK.
Drawn By: E.A.W. Date: 5-13-39
Traced By: E.A.W. Date: 5-18-39
Checked By: _____ Date: _____
BRIDGE NO. _____ DRAWING NO. 3549A