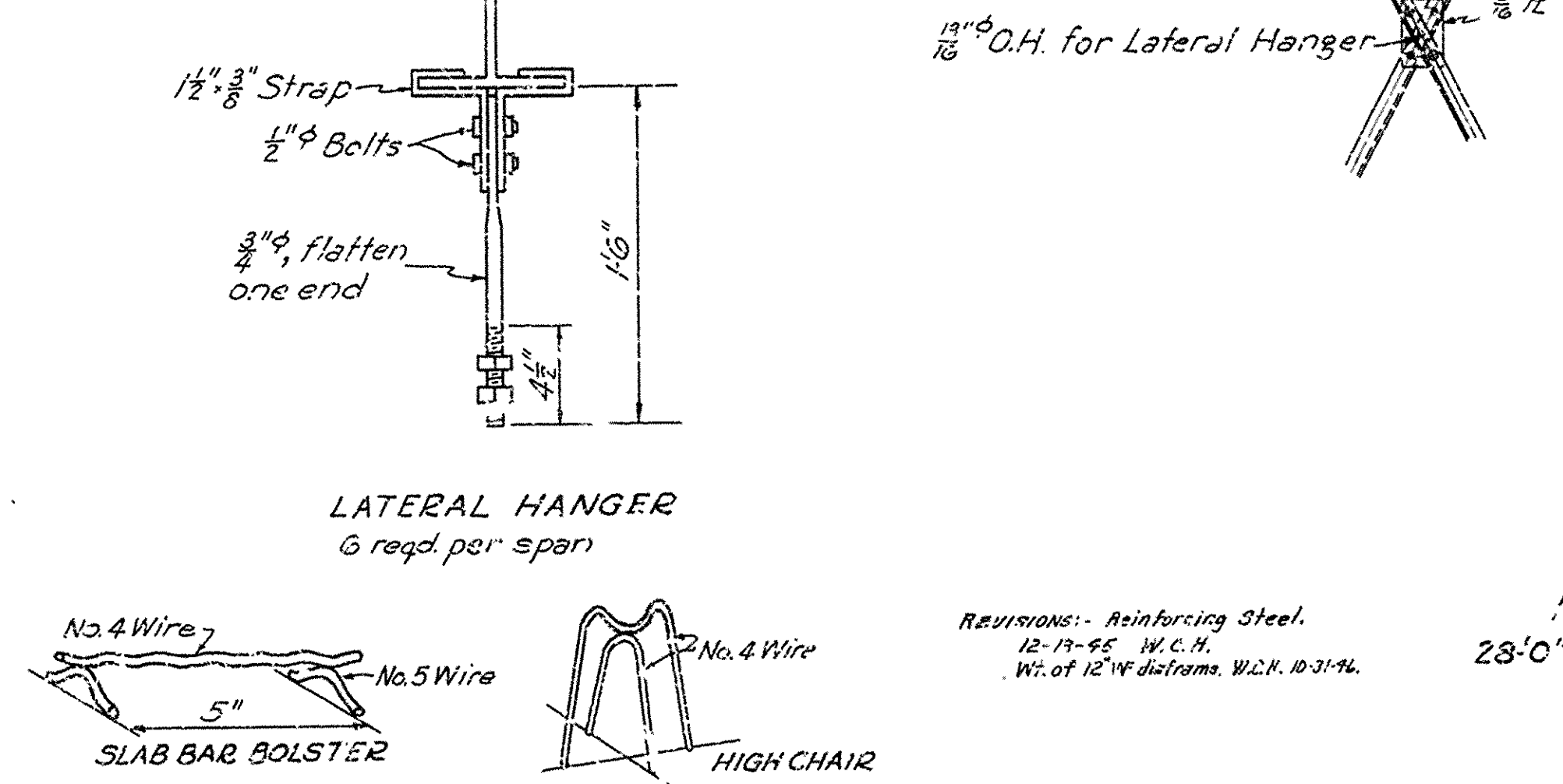
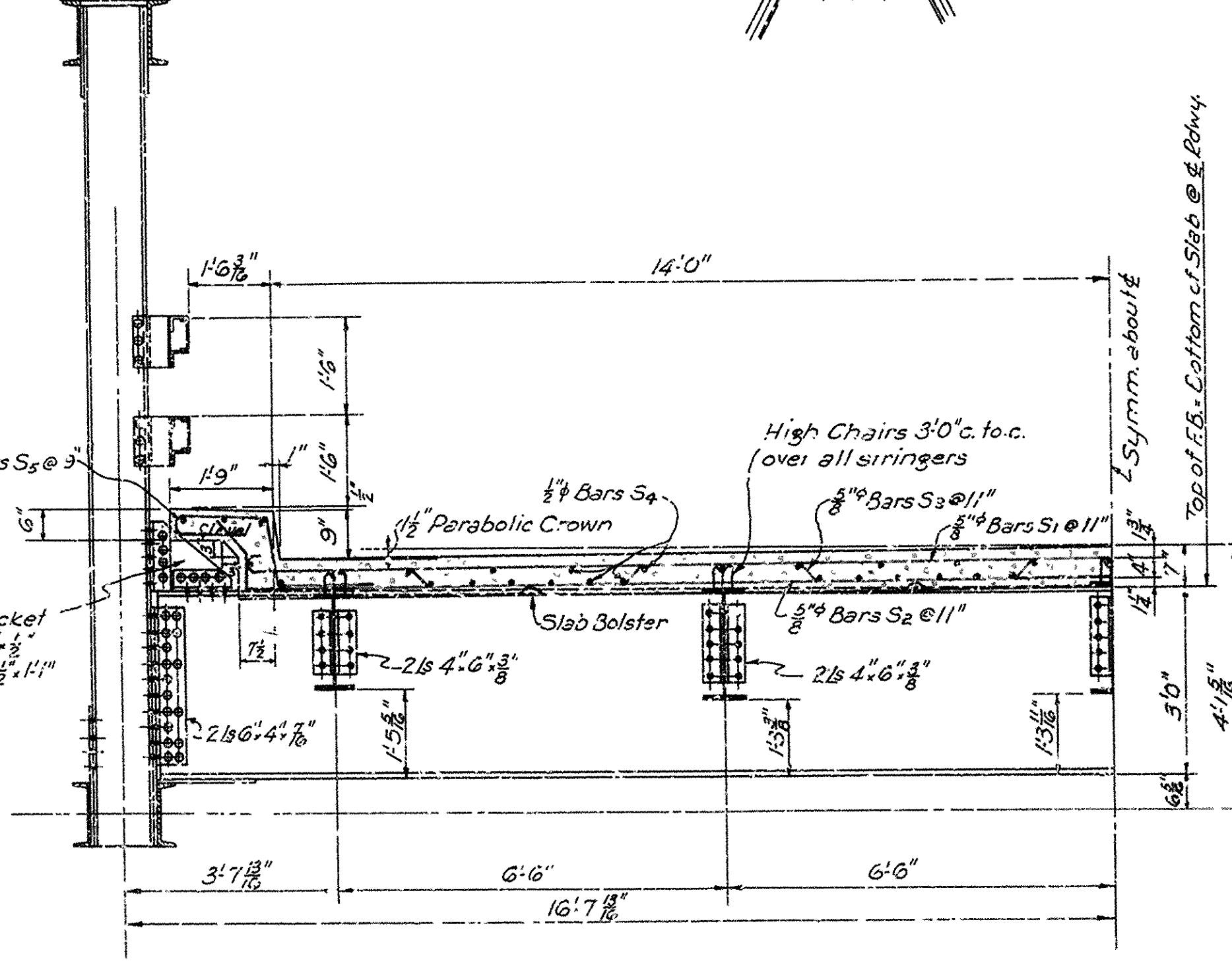
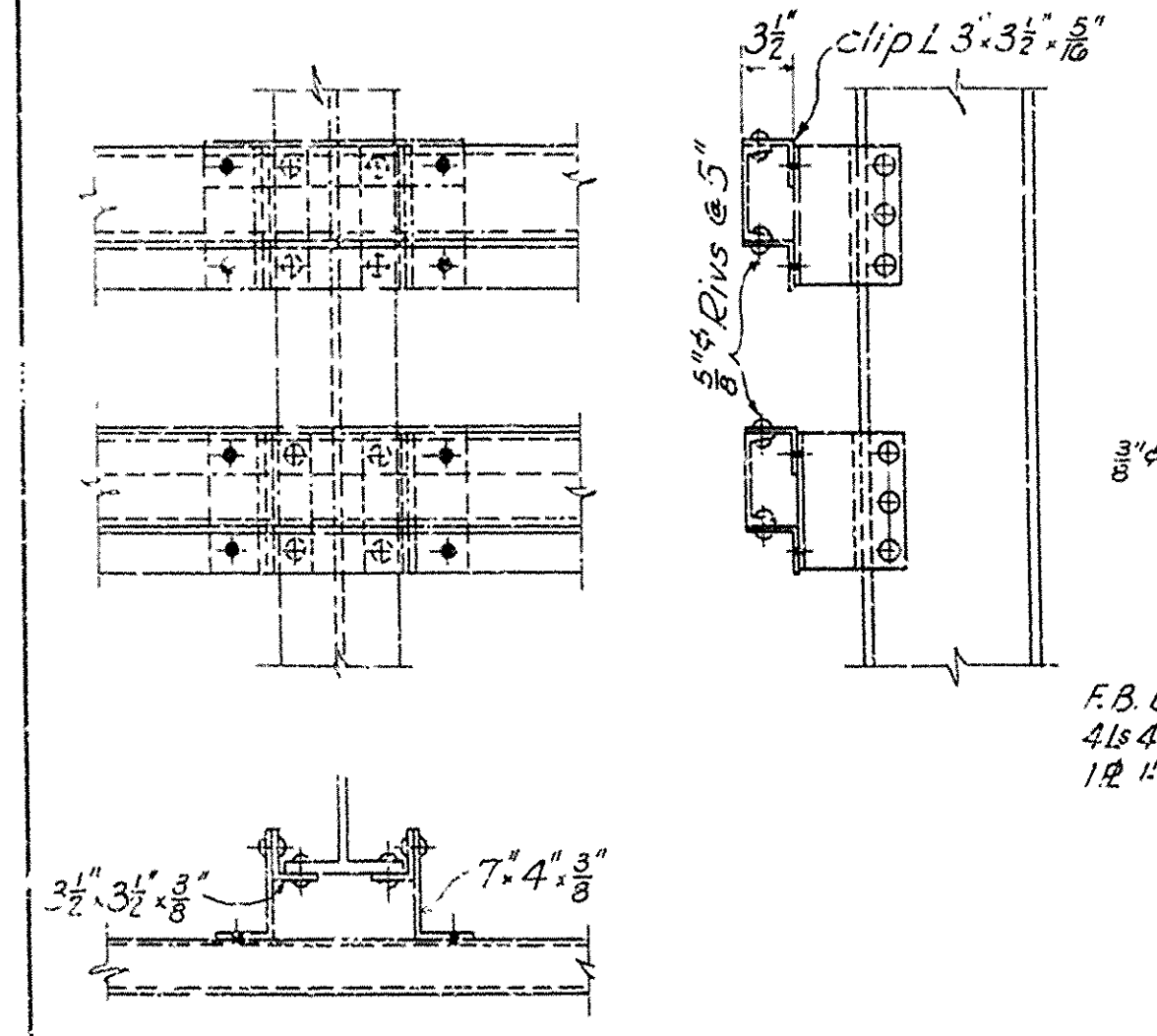
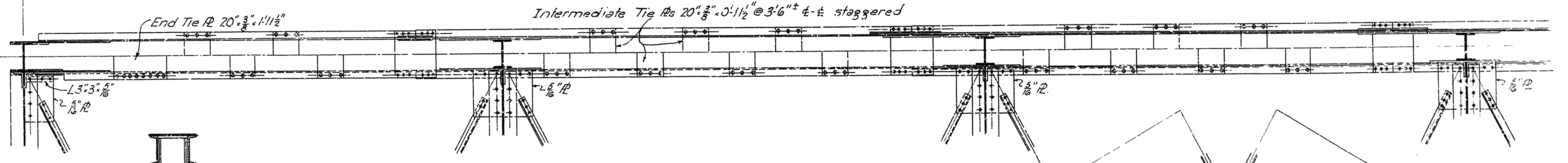
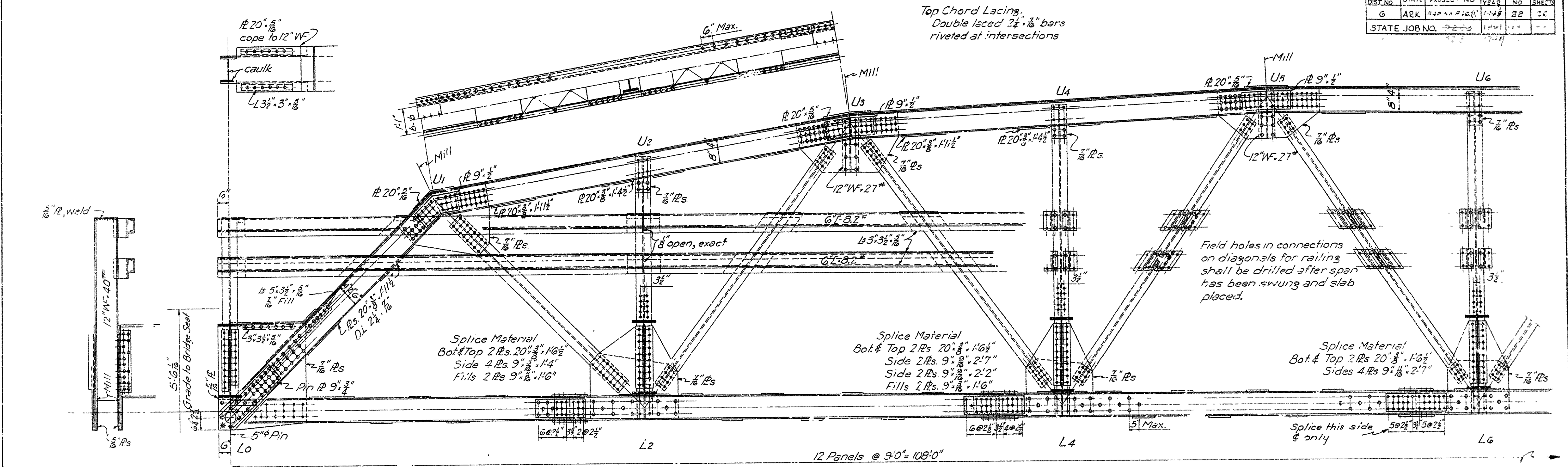


FED. ROAD DIST. NO.	STATE	PROJECT NO.	FISCAL YEAR	SHEET NO.	TOTAL SHEETS
6	ARK.	200	1941	22	25
STATE JOB NO.		200			



REVISIONS: Reinforcing Steel, 12-19-41 W.C.H.
Wt. of 12" WF distrs. W.C.H. 10-31-36.

All reinforcing steel shall be accurately located in the forms and firmly held in place by means of steel wire chair supports adequate to prevent displacement during the course of construction, and to keep the steel a proper distance from the forms. Chair supports are to be sufficient in number and sufficiently heavy to properly carry the steel they support. Wire sizes shall not be less than shown.

Wire supports will not be paid for directly but will be considered as subsidiary to the item of "Reinforcing Steel". Shop lists and diagrams must be submitted for approval.

108'0" LOW TRUSS SPAN
23'0" ROADWAY 1'6" SIDEWALKS
Sheet 2 of 2

ROUTE SEC.
ARKANSAS STATE HIGHWAY COMMISSION
LITTLE ROCK, ARK.

Drawn By: E.B.S. Date: 8-13-41
Traced By: E.B.S. Date: 8-27-41
Checked By: Date:
BRIDGE NO. DRAWING NO. 5461-A