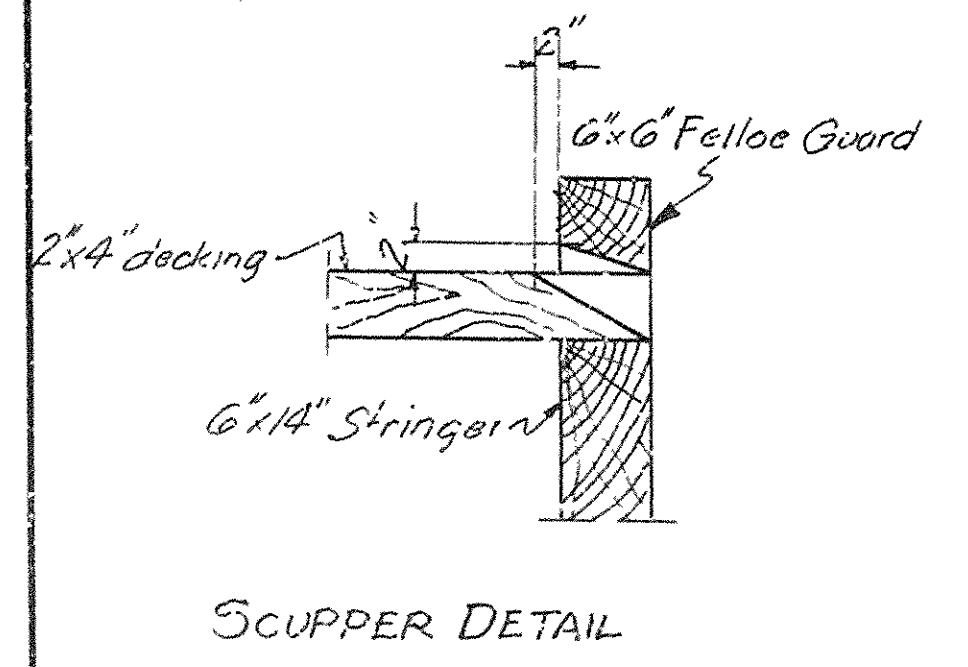
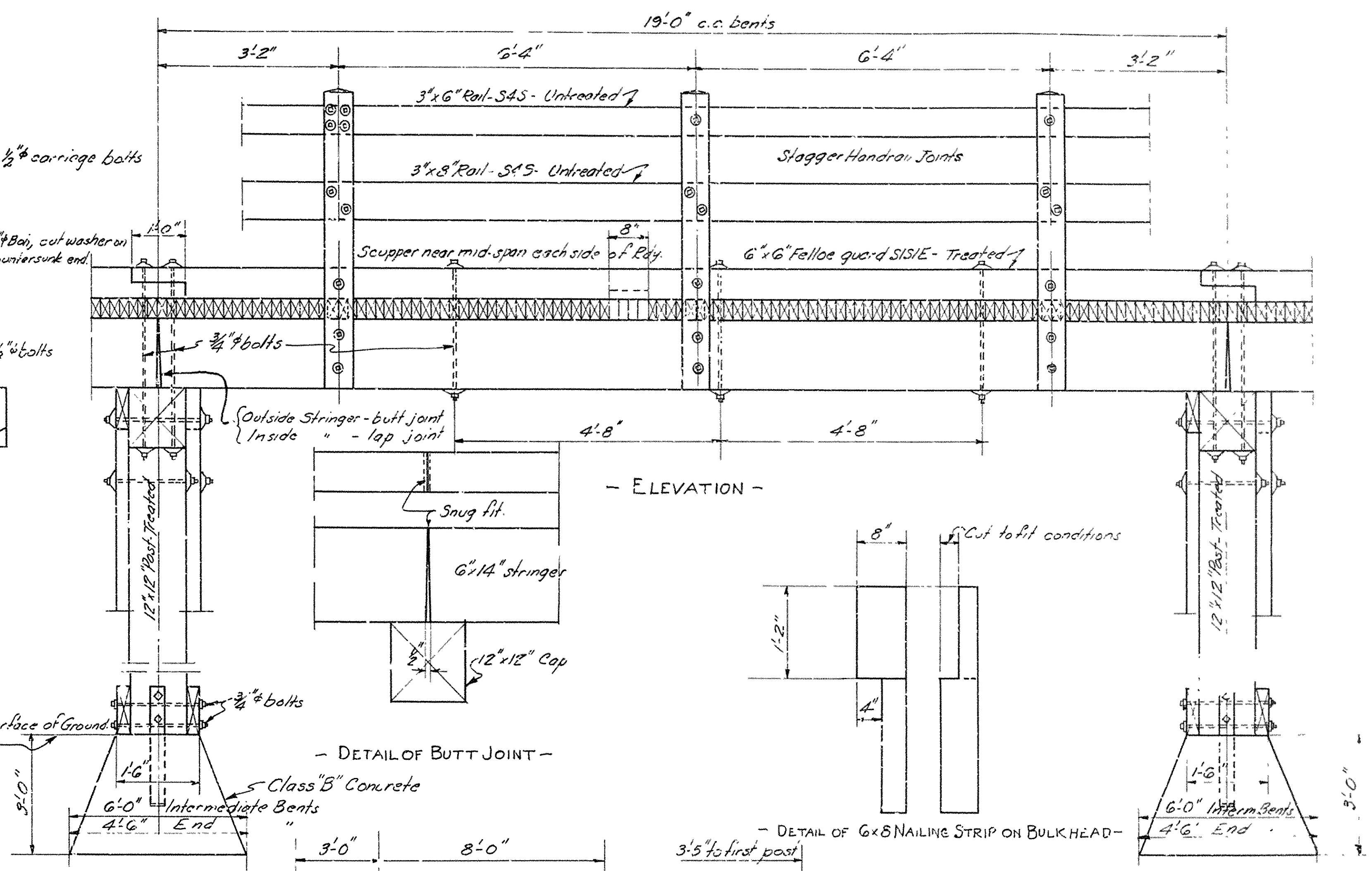
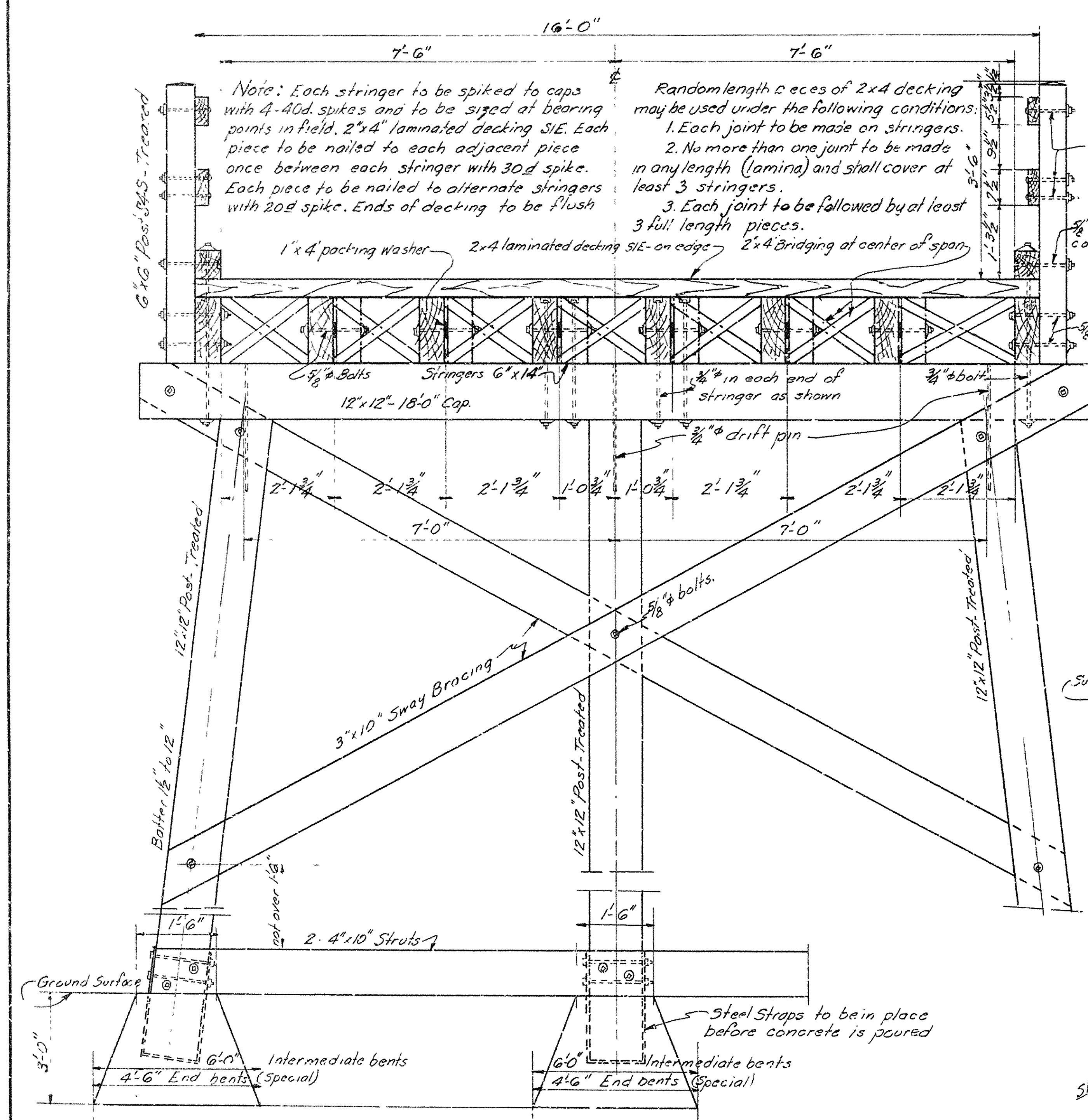


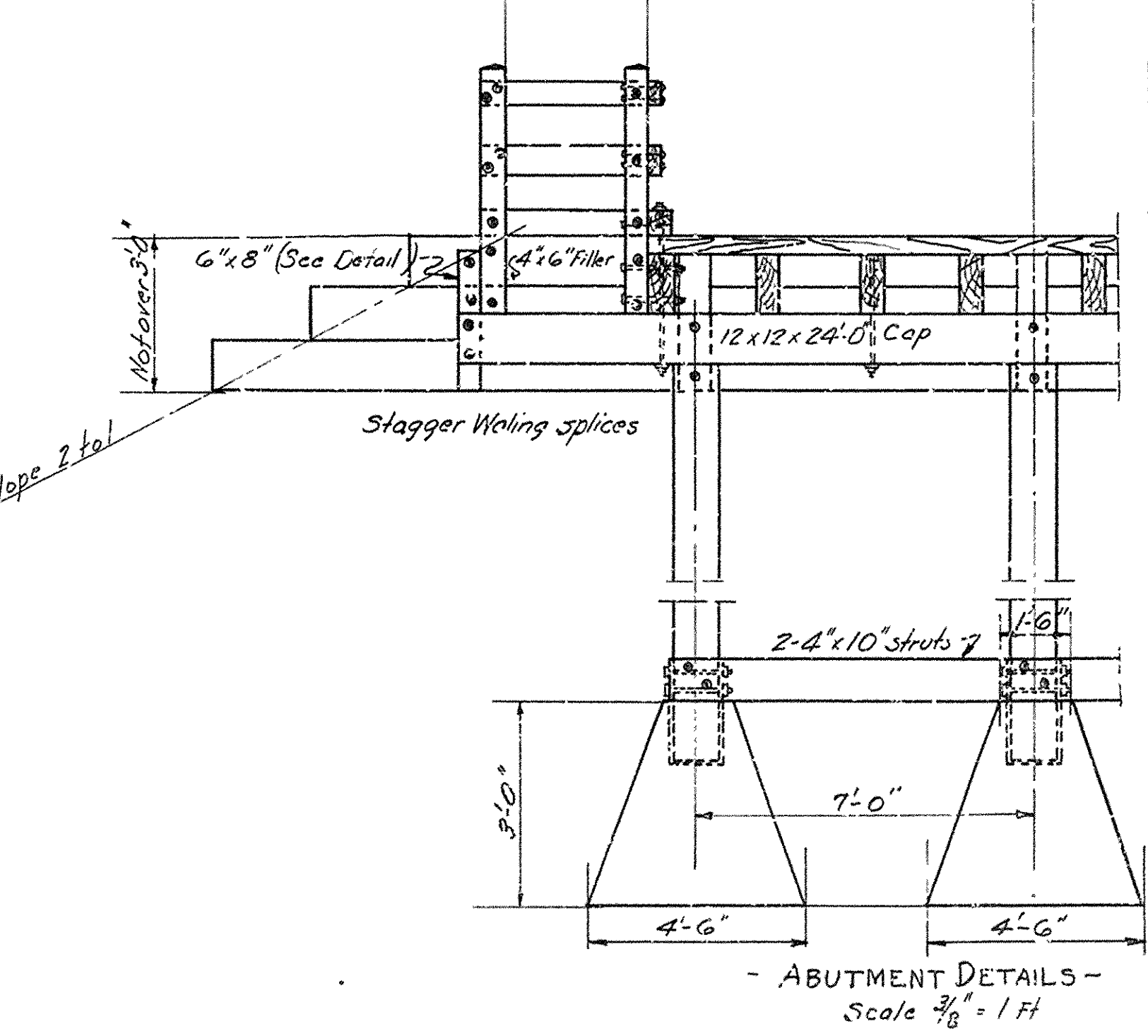
FISCAL YEAR	PROJECT NO.	STATE	F.H.D.	DATE	SHEET NO.	TOTAL SHEETS
1923	ARR 2334	773	9	12		

NOTE:
MEASUREMENT FOR PAYMENT OF 2x4 LAMINATED DECKING SHALL BE COMPUTED AT 64 (SIXTY-FOUR) FT. B.M. PER LINEAL FOOT.



SECTION
Scale 3/4 inch = 1 foot

NOTE:
Use sway bracing on all bents except abutment bent.
Use malleable or cast iron washers on both ends of machine bolts unless noted otherwise.
All timber and piling to be treated except 3x6 and 3x8 handrail members. Handrail members shall be made of untreated, seasoned, dressed lumber and shall be painted with 3 coats of paint in accordance with paragraph 52.3 (a) Arkansas State Standard Specifications.
Concrete to be Class "B" and poured in the dry.



SPECIFICATIONS: Arkansas State Road and Bridge Specifications as adopted May 30, 1925 and Revised. Footings designed for maximum bearing of 1500 #/sq ft.

DETAILS
19'-0" STD. TIMBER TRESTLE

15'-0" ROADWAY CONCRETE FOOTINGS

ROUTE SEC.
ARKANSAS STATE HIGHWAY DEPARTMENT
LITTLE ROCK, ARK.

Drawn By: *L.P.C.* Date: _____
Traced By: *L.P.C.* Date: *11/12/23*
Checked By: _____ Date: _____
Scale: in. ft. As Noted
BRIDGE NO. _____ **DRAWING No 40**

M.B. Jarver
BRIDGE ENGINEER