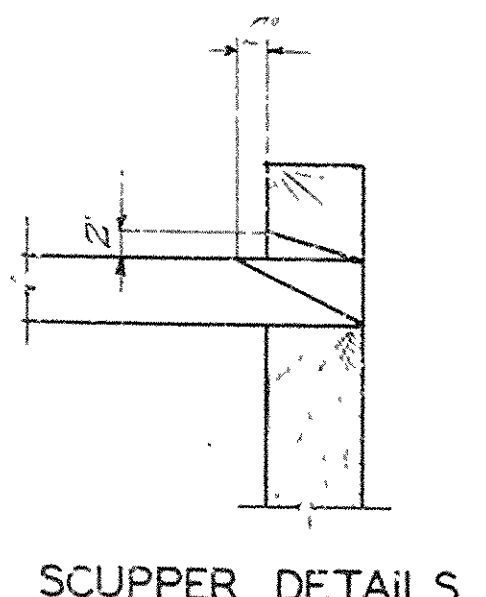
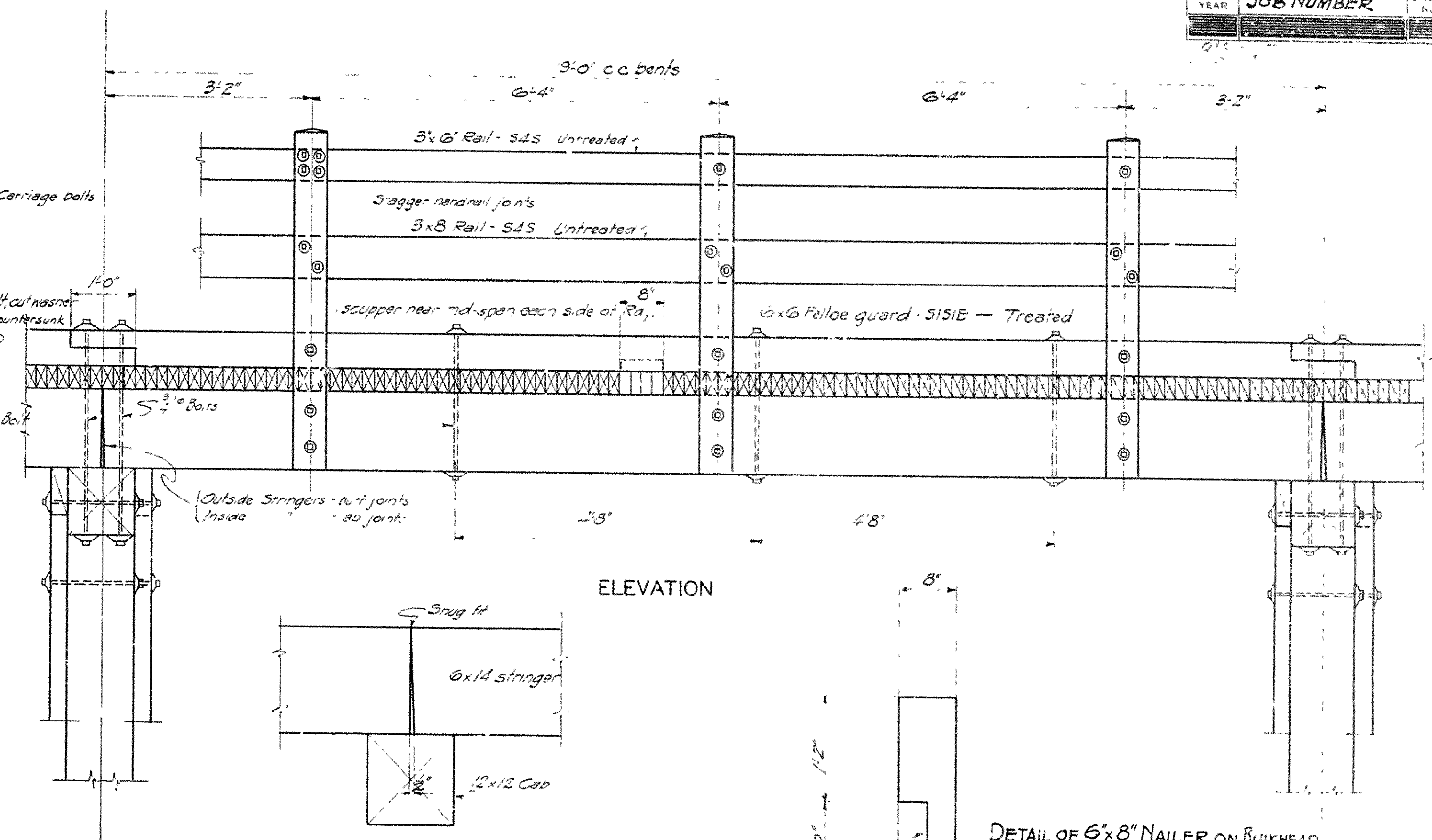


SECTION
Scale 1/8" = 1 Foot

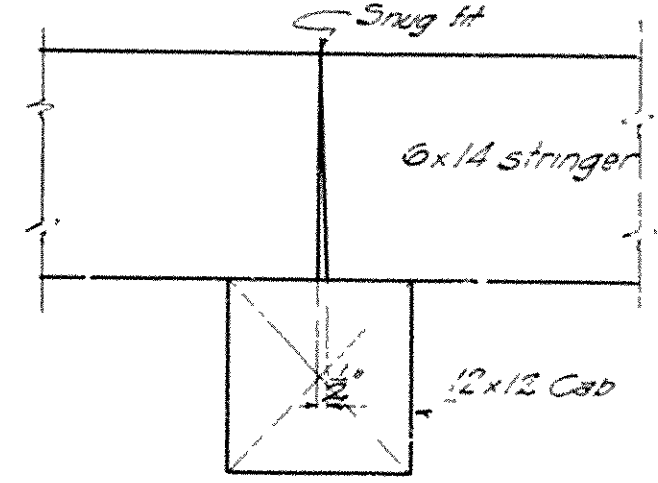


SCUPPER DETAILS

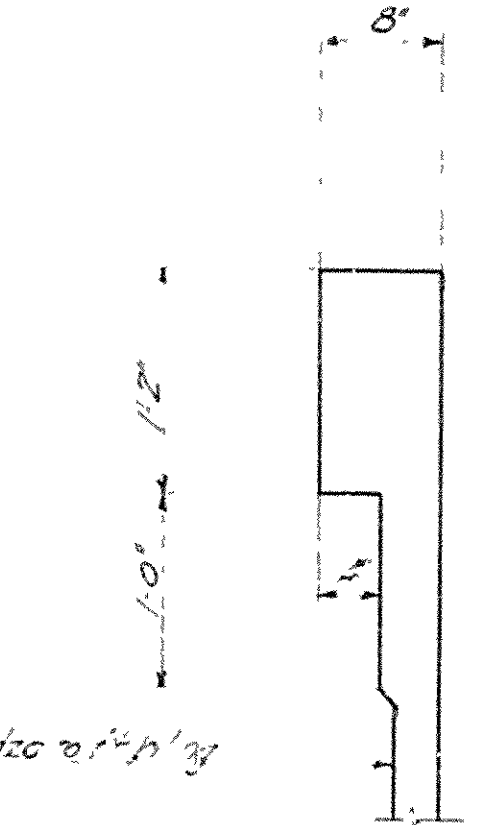
NOTES-
 Each stringer to be spiked to caps with 4 40# spikes and to be sized at bearing points in field. 2x4 laminated decking 5/16".
 Each piece to be nailed to each adjacent piece once between each stringer with 30# spike. Each piece to be nailed to alternate stringers with 20# spike. Ends of decking to be flush. All pieces spiked to all stringers.
 Random length pieces of 2x4 decking may be used under the following conditions:
 1. Each joint to be made on stringers.
 2. No more than one joint to be made in any length (lamina), and cover at least 3 stringers.
 3. Each joint to be followed by at least 3 full length pieces.
 Use sway bracing on all bents 5'-0" or over in height.
 Use malleable or cast iron washers on both ends of machine bolts unless noted otherwise.
 All timber and piling to be treated, except 3x6" and 3x8" handrail members.



ELEVATION

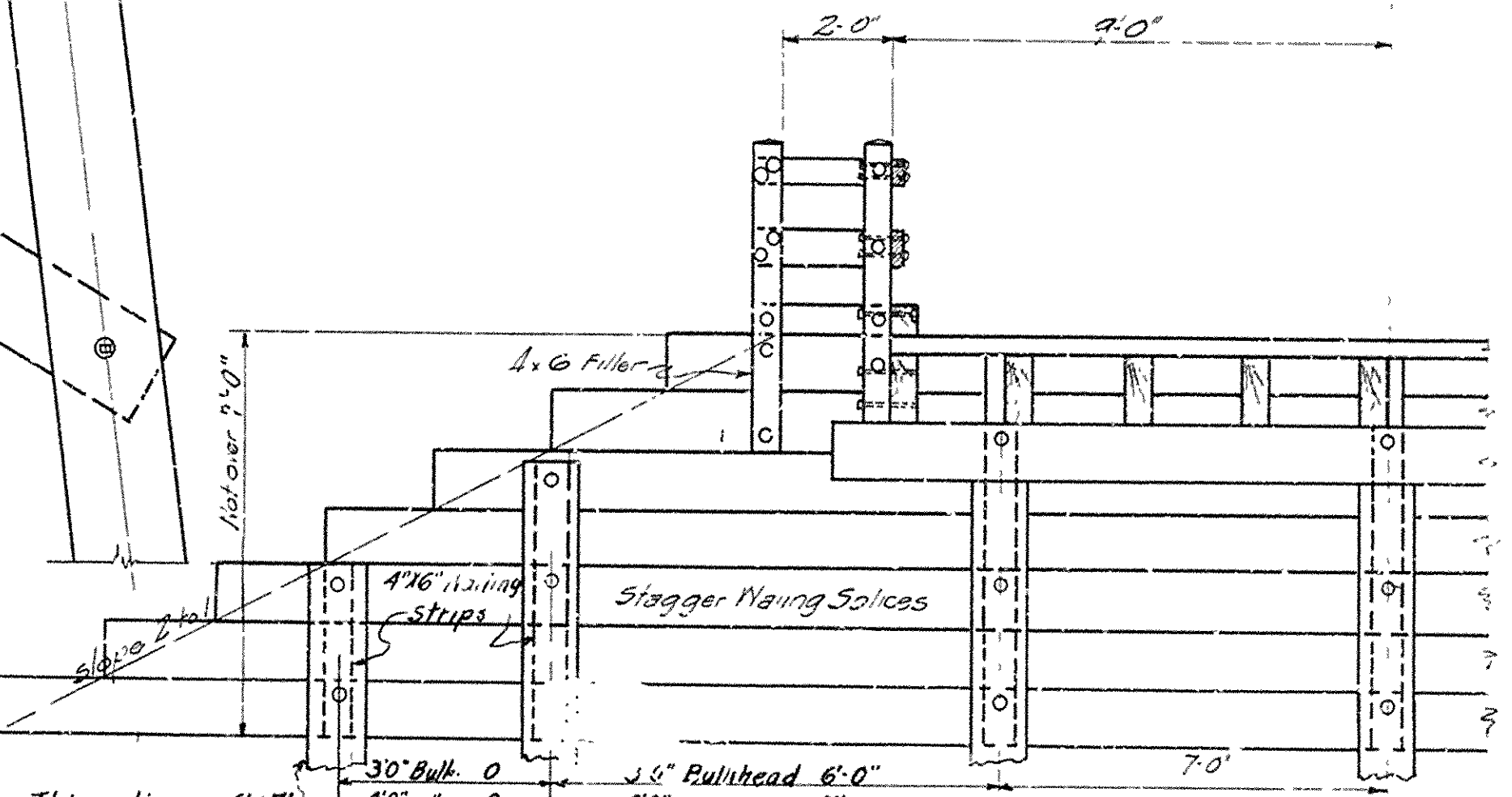


DETAIL OF BUTT JOINT



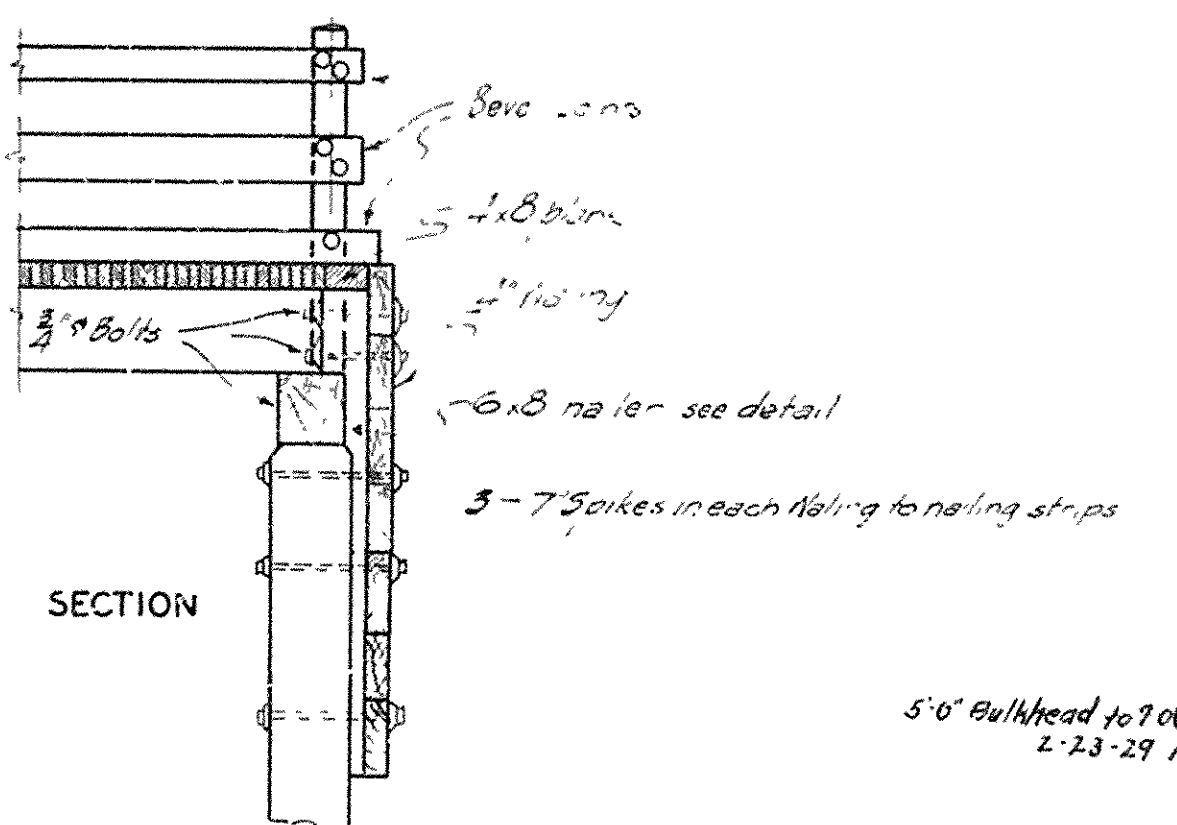
DETAIL OF 6x8 NAILER ON BULKHEAD

NOTE: MEASUREMENT FOR PAYMENT OF 2x4 LAMINATED DECKING SHALL BE COMPUTED AT 72 (SEVENTY-TWO) FT B.M PER LINEAL FOOT OF BRIDGE



ABUTMENT DETAILS
Scale 1/8" = 1 Foot

NOTES, CONT-
 Handrail shall be made of untreated, seasoned, dressed lumber and shall be painted with 3 coats of paint in accordance with paragraph 52.3 (a) of Arkansas State Std. Specifications.
 All treated timber and piling to be treated by empty cell process in accordance with paragraph 52.2 (d) of Arkansas State Std. Specifications.
 Specifications: - Arkansas State Road and Bridge Specifications as adopted May 30, 1925, and Revised.



SECTION

5'-0" Bulkhead to 7'-0" (Max)
L-23-29 PFB

DETAILS
19'-0" STD. TIMBER TRESTLE
17'-0" CLEAR ROADWAY

ARKANSAS STATE HIGHWAY DEPARTMENT
 LITTLE ROCK, ARK.

Drawn By: M
 Traced By: M
 Checked By: D
 Date: 5-22-26
 Scale: 1/8" = 1'
 BRIDGE NO. [] DRAWING NO. 18

M. B. Barber
 BRIDGE ENGINEER