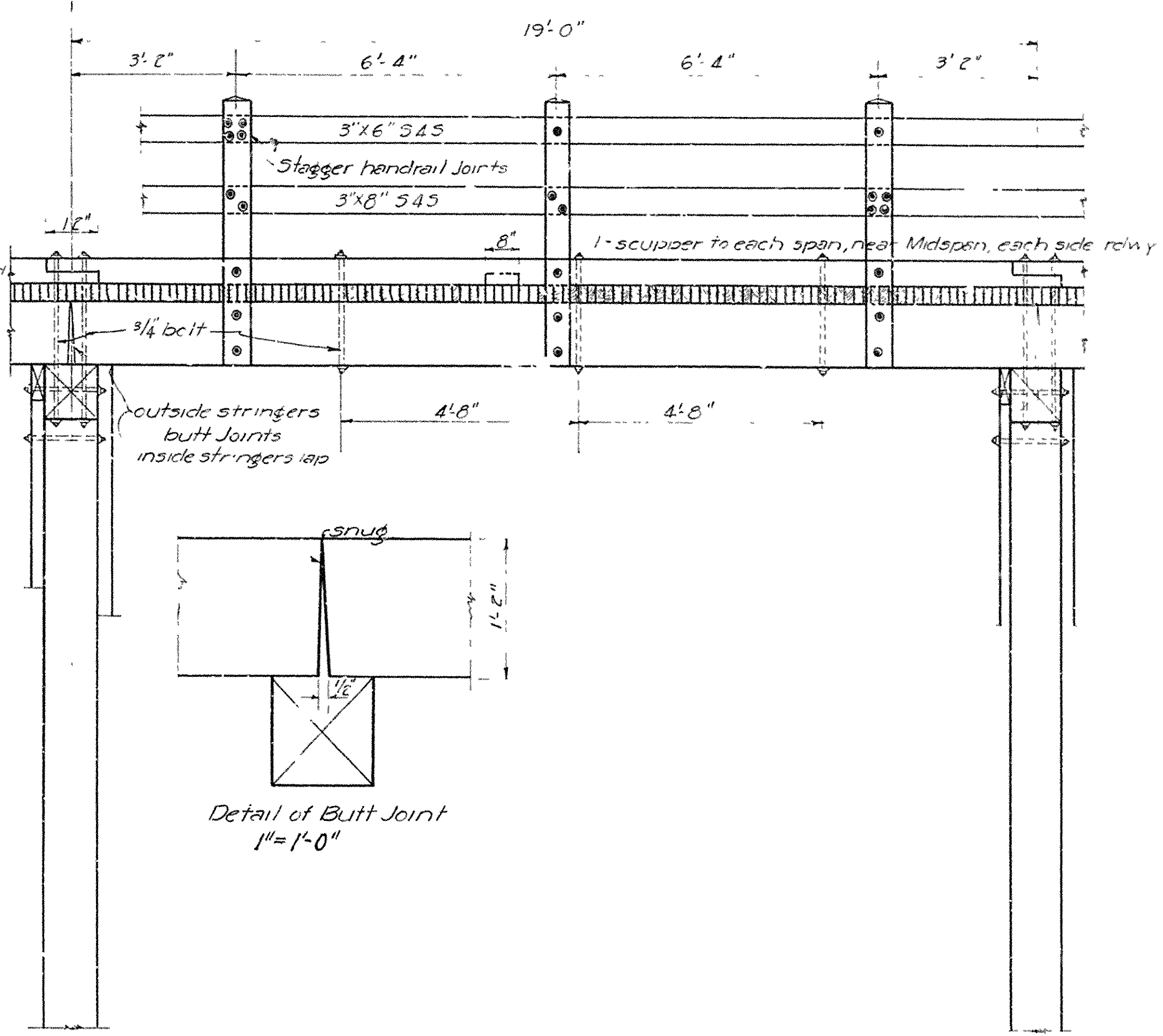
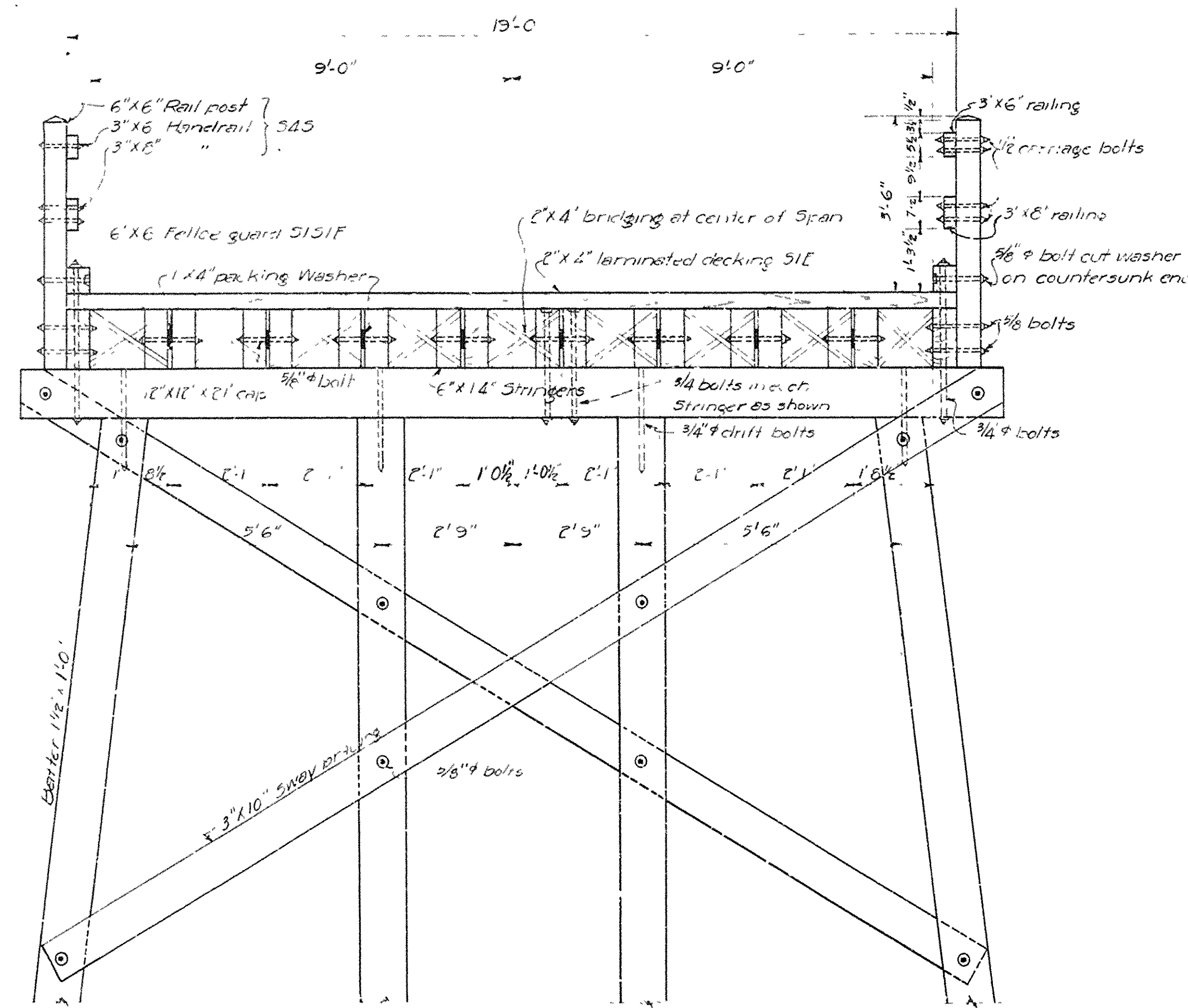


FISCAL YEAR	SHEET NO.	TOTAL SHEETS

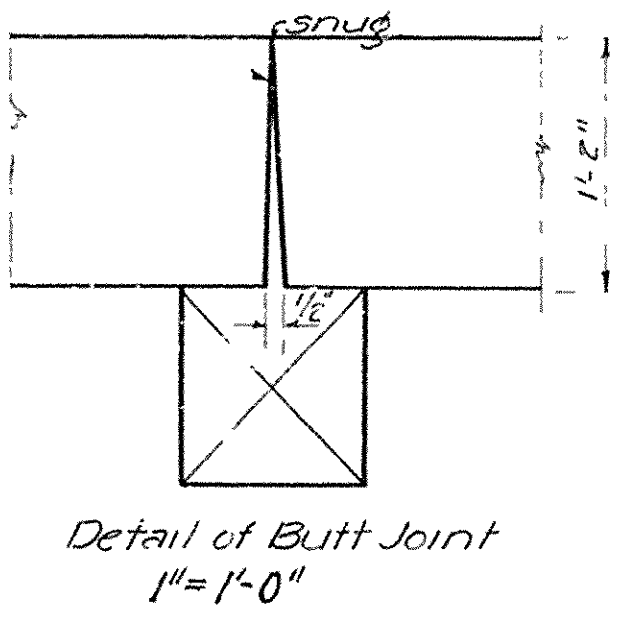


Each Stringer to be spiked to caps with 4-40" spikes and to be spiked at bearing points in 2" x 4" laminated decking S1E. Each piece to be nailed to each edge of deck once between each stringer with 30" spikes. End spikes to be nailed to alternate stringers with 30" spikes. Alternate pieces to be nailed to alternate stringers. Decking to be spiked.

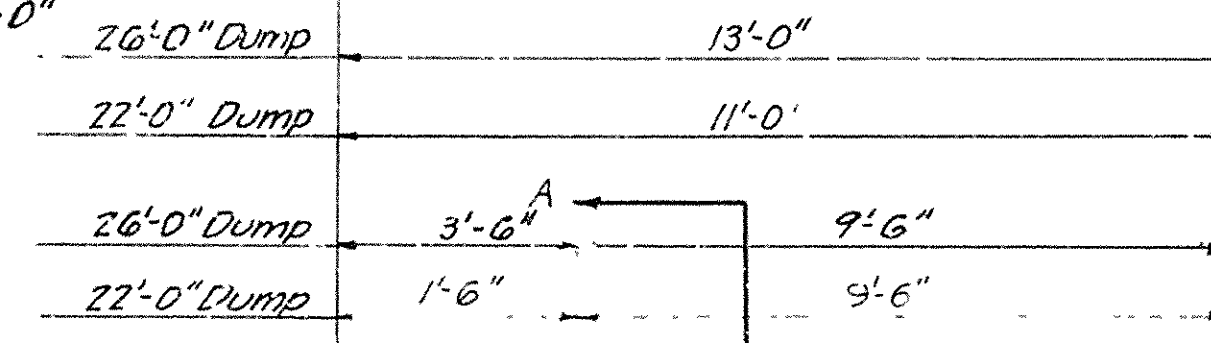
Random length pieces of 2" x 4" decking may be used under the following conditions:

1. Each joint to be made on stringers.
2. " " piece shall cover at least 3 stringers.
3. No more than one joint in any single span.
4. Each joint to be followed by at least 30" length piece.

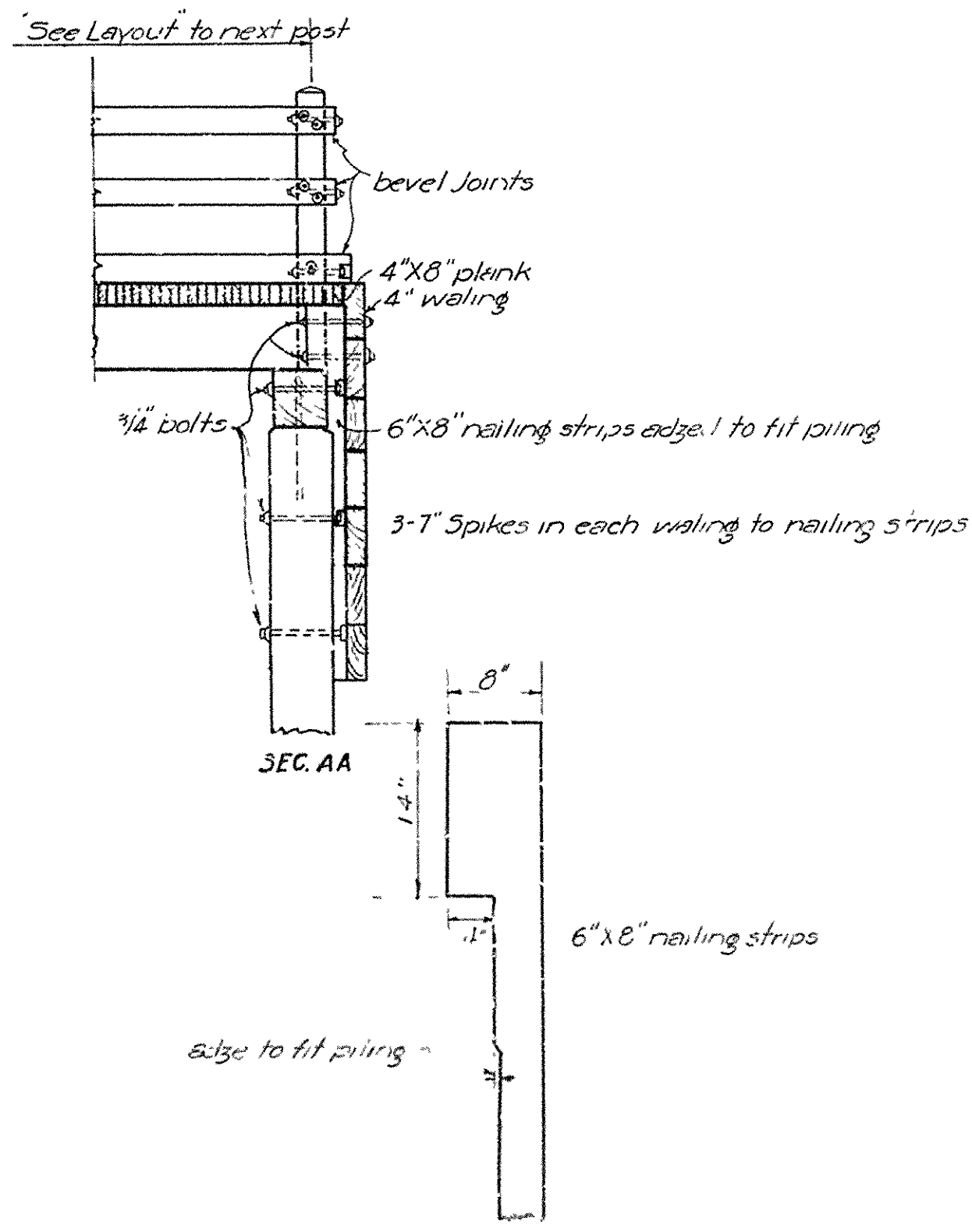
Use Sway bracing on all bolts 5/8" diameter or larger. Use galvanized or cast iron washers on all threaded members unless noted otherwise. All timber and piling except 3" x 6" & 3" x 8" rail members to be treated. Handrails shall be made of untreated seasoned, clear lumber, and shall be painted with 3 coats of paint in accordance with paragraph 58.10 of Arkansas State Standard Specifications. All treated timber and piling to be treated by applying process in accordance with paragraph 58.10 of Arkansas State Standard Specifications. Specifications: Arkansas State Rules and Bridge Specifications, adopted May 30, 1925.



Cross Section Roadway  
1/2" = 1'-0"

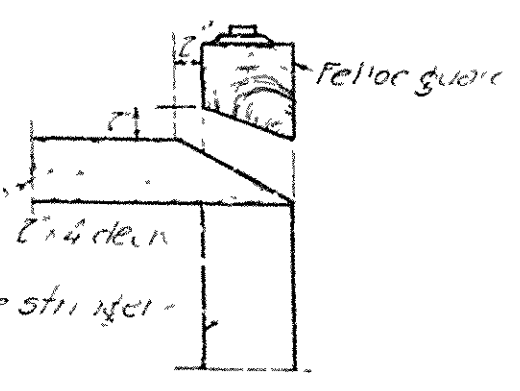


Elevation  
1/2" = 1'-0"

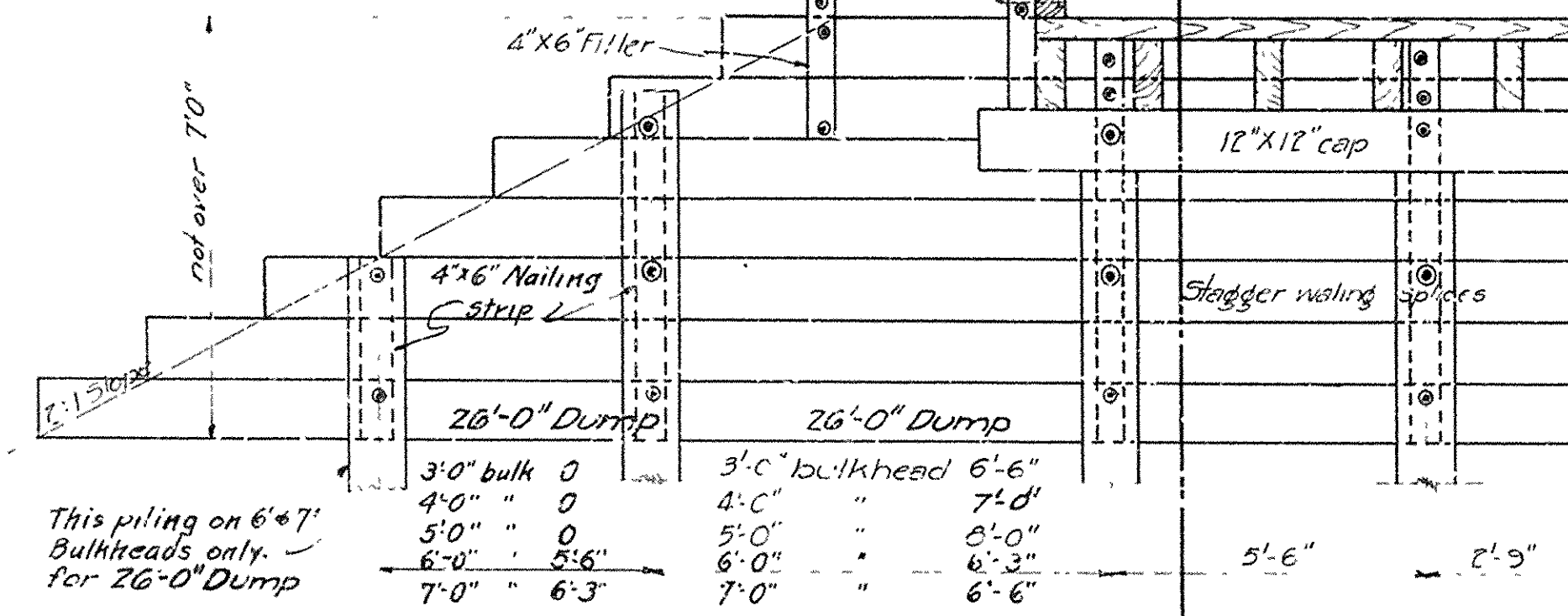


Measurement for payment of the 2" x 4" laminated Decking shall be computed at 76 (Seventy Six) Ft B.M. per lineal ft of Bridge. Ends of Decking to be flush.

5'-0" Bulkhead to 7'-0" (Max)  
2'-13'-29" P.P.S.



Scupper Detail



This piling on 6"x7" Bulkheads only for 26'-0" Dump

3'-0"	0
4'-0"	0
5'-0"	0
6'-0"	5'-6"
7'-0"	6'-3"

This piling on 7" Bulk only for 22'-0" Dump

3'-0"	0
4'-0"	0
5'-0"	0
6'-0"	0
7'-0"	5'-6"

22'-0" Dump	22'-0" Dump A
3'-0" bulk 0	3'-0" bulk 5'-6" (abutment Details)
4'-0" " 0	4'-0" " 5'-6" " 3/8" = 1'-0"
5'-0" " 0	5'-0" " 7'-0" "
6'-0" " 0	6'-0" " 8'-0" "
7'-0" " 5'-6"	7'-0" " 5'-6" "

Details  
19'-0" Standard Timber Trestle  
18'-0" Clear Roadway  
ROUTE SEC.  
**ARKANSAS STATE HIGHWAY DEPARTMENT**  
LITTLE ROCK, ARK.  
Drawn By: *Wilson* Date: 12/1/25  
Traced By: *McCraw* Date: 6/1/26  
Checked By: *Not* Date: ---  
Scale: as noted  
BRIDGE NO. --- DRAWING NO. 20

BRIDGE ENGINEER