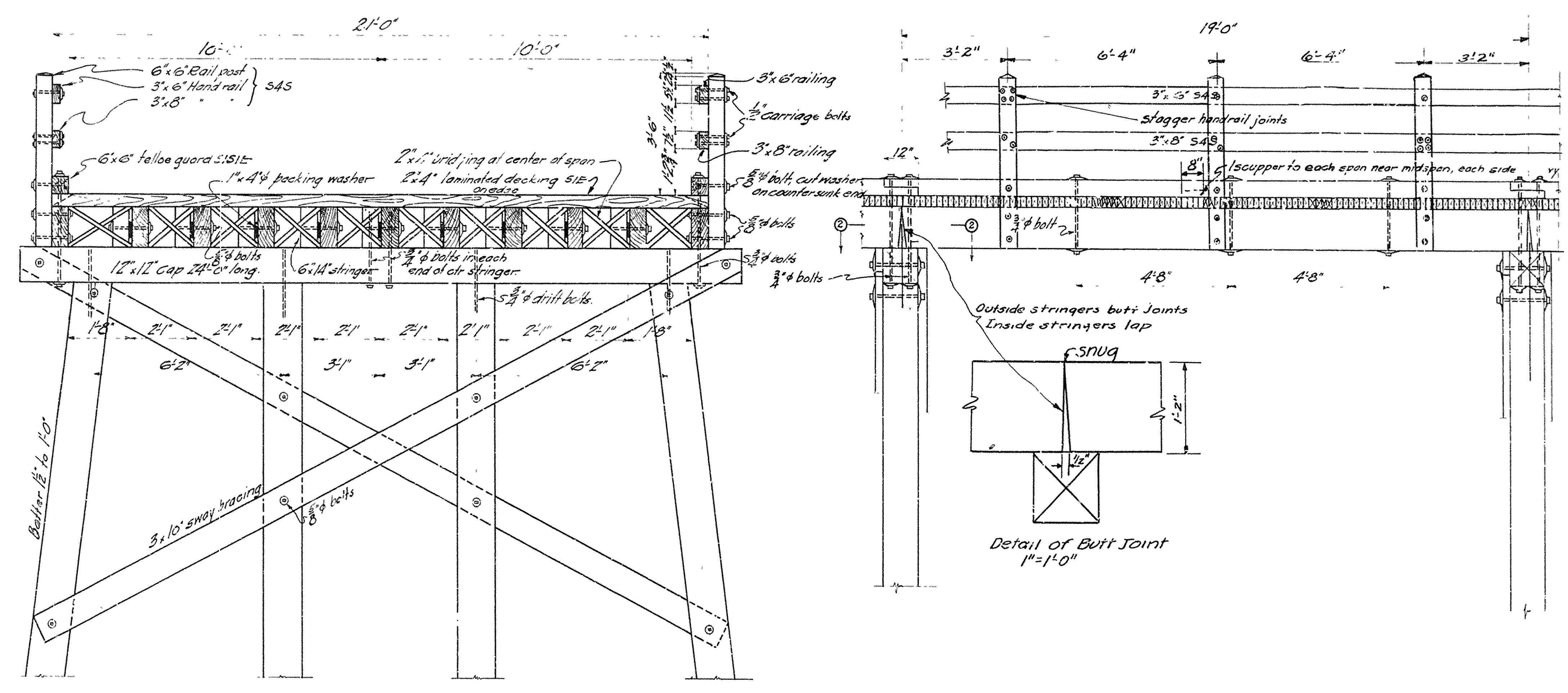


FISCAL YEAR	JOB NUMBER	SHEET NO.	TOTAL SHEETS



Each stringer to be spiked to caps with 4-40d spikes and to be sized at bearing points in field. 2x4 laminated decking S1E. Each piece to be nailed to each adjacent piece, once between each stringer with 30d spikes. Each piece to be nailed to alternate stringers with 30d spikes. Alternate pieces to be nailed to alternate stringers.

Random length pieces of 2x4 decking may be used under the following conditions:-

1. Each joint to be made on stringers
2. Each piece shall cover at least 3 stringers.
3. No more than one joint in any length (lamina)
4. Each joint to be followed by at least 3 full length pieces.

Use snag bracing on all bents 5'0" or over in height. Use malleable or cast iron washers on both ends of machine bolts unless noted otherwise.

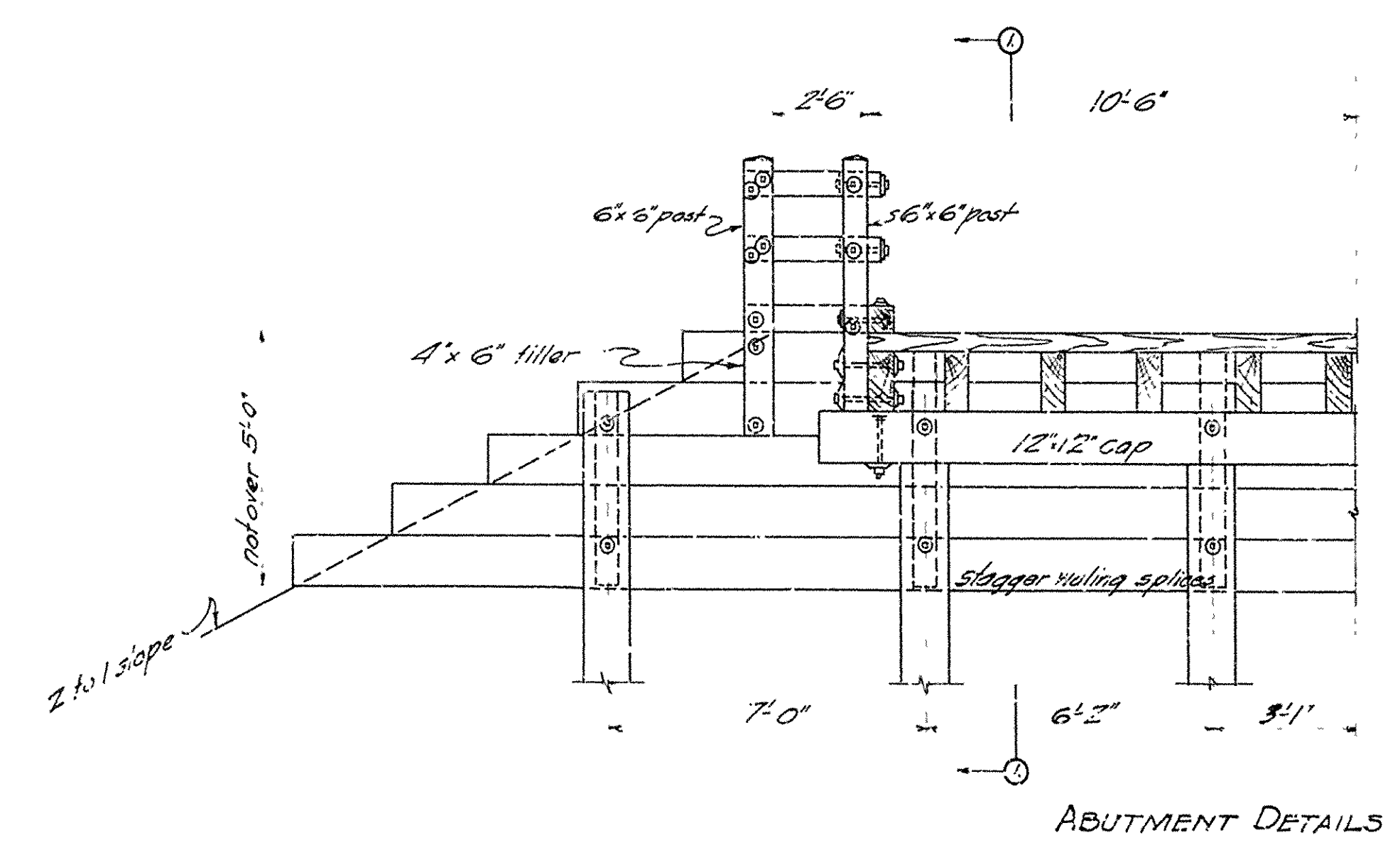
Handrail shall be made of untreated seasoned dressed lumber and shall be painted with 3 coats of paint in accordance with paragraph 52.2(a) of Arkansas State Standard Specifications.

All treated timber and piling to be treated by empty cell process in accordance with paragraph 52.2(a) of Arkansas State Standard Specifications.

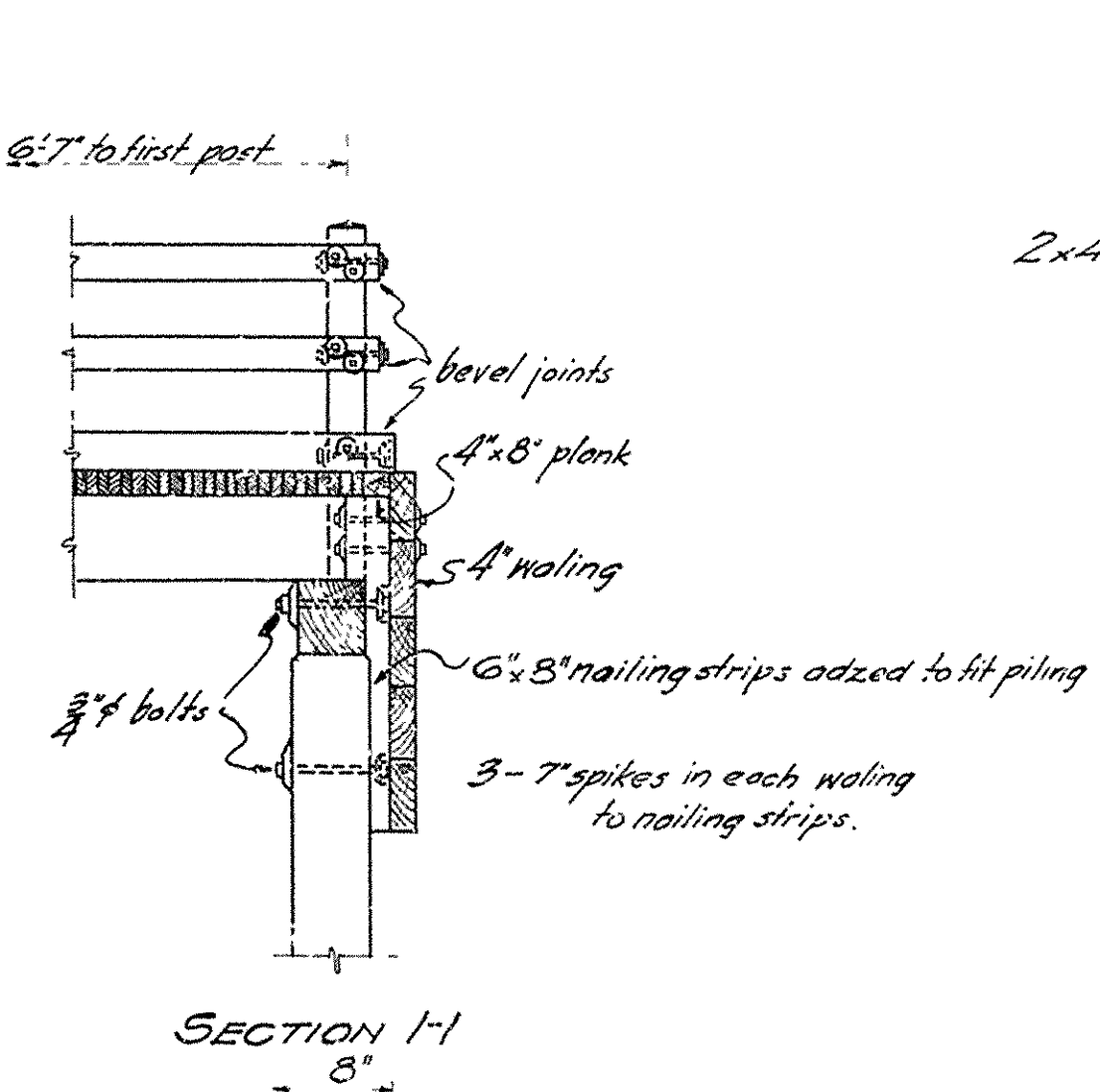
Specific: Arkansas State Road and Bridge Specifications adopted May 30, 1925.

CROSS SECTION ROADWAY

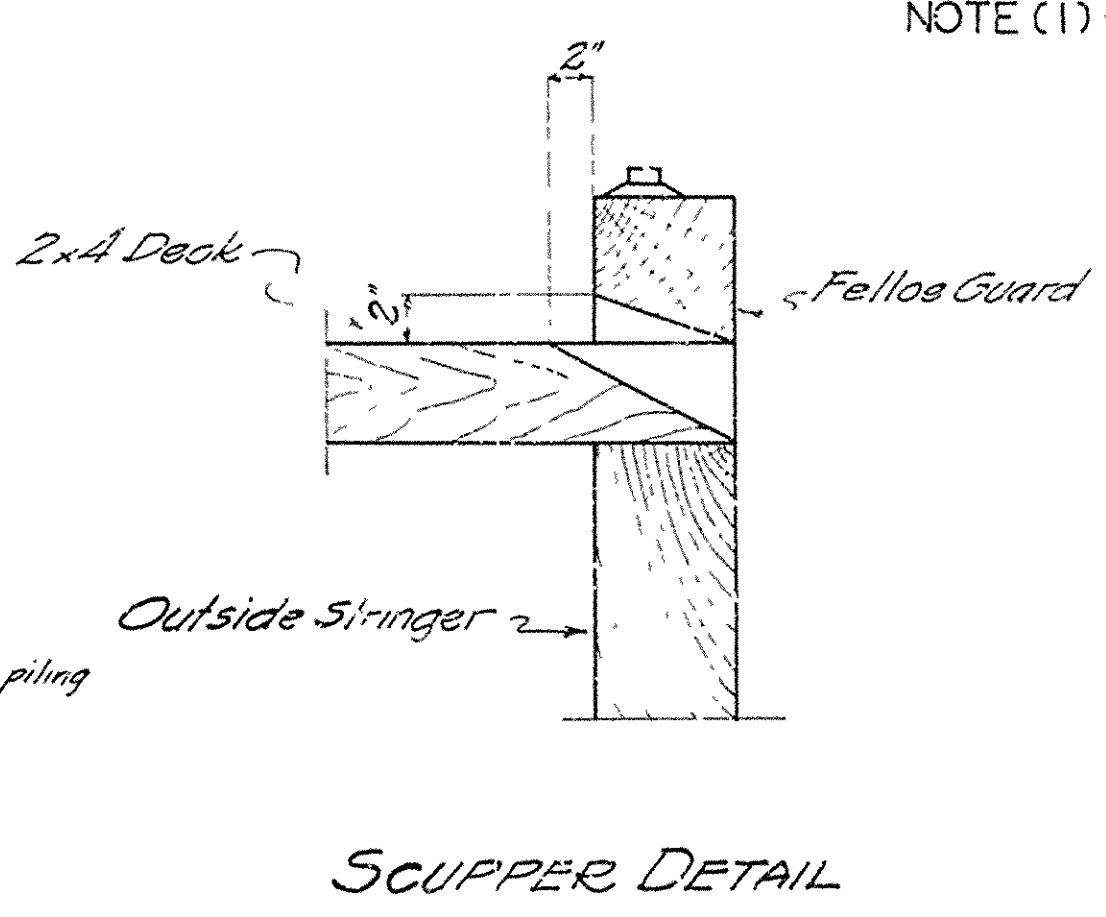
ELEVATION



ABUTMENT DETAILS

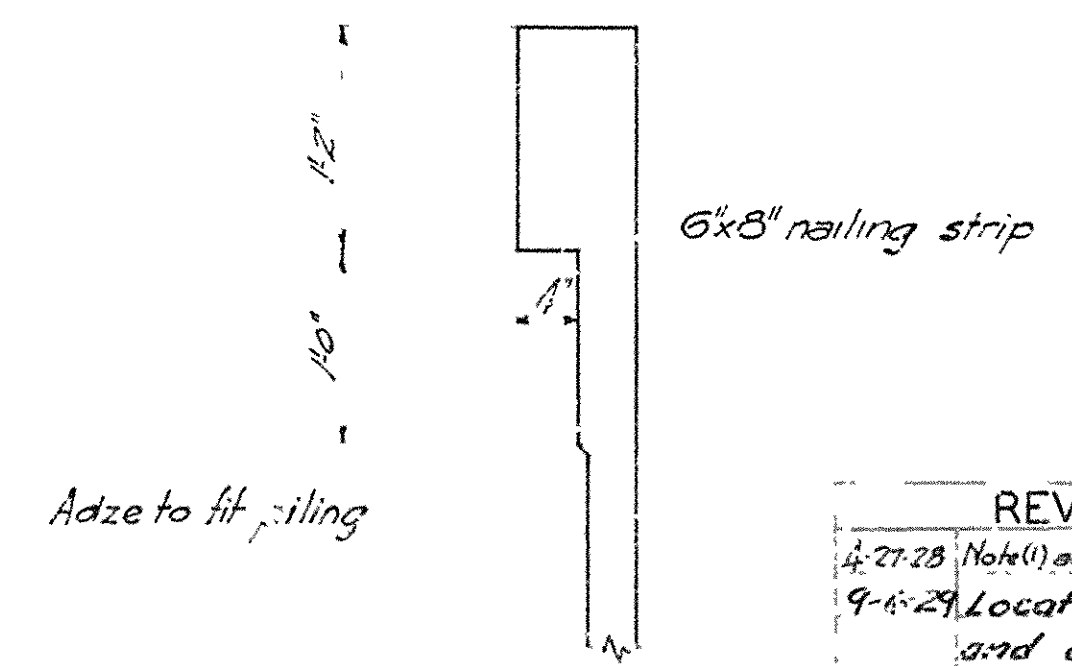


SECTION 1-1



SCUPPER DETAIL

NOTE (1) - MEASUREMENT FOR PAYMENT OF THE 2"x4" LAMINATED DECKING SHALL BE COMPUTED AT 84 (EIGHTY-FOUR) FT. B.M. PER LINEAL FOOT OF BRIDGE. ENDS OF DECKING TO BE FLUSH.



Adze to fit piling

REVISED  
 4-27-28 Note (1) added. 4-6 nailing strip changed to 6x8-111  
 9-4-29 Location Hand Rail Posts and outside stringer joint. 626.

M.B. Gorman  
 BRIDGE ENGINEER

DETAILS OF  
 19'-0" STD. TIMBER TRESTLE  
 20'-0" ROADWAY  
 ARKANSAS STATE HIGHWAY DEPARTMENT  
 LITTLE ROCK, ARK.  
 Drawn By: \_\_\_\_\_ Date: \_\_\_\_\_  
 Traced By: M.B. Gorman Date: 2-1-28  
 Checked by: \_\_\_\_\_ Date: \_\_\_\_\_  
 BRIDGE NO. \_\_\_\_\_ DRAWING NO. 13