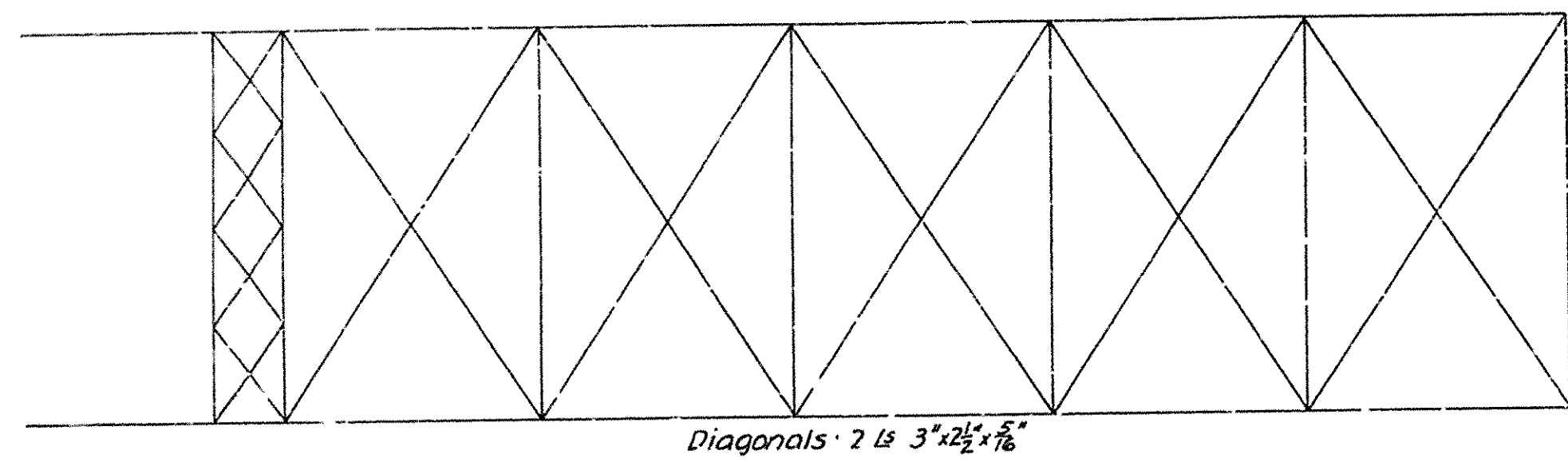
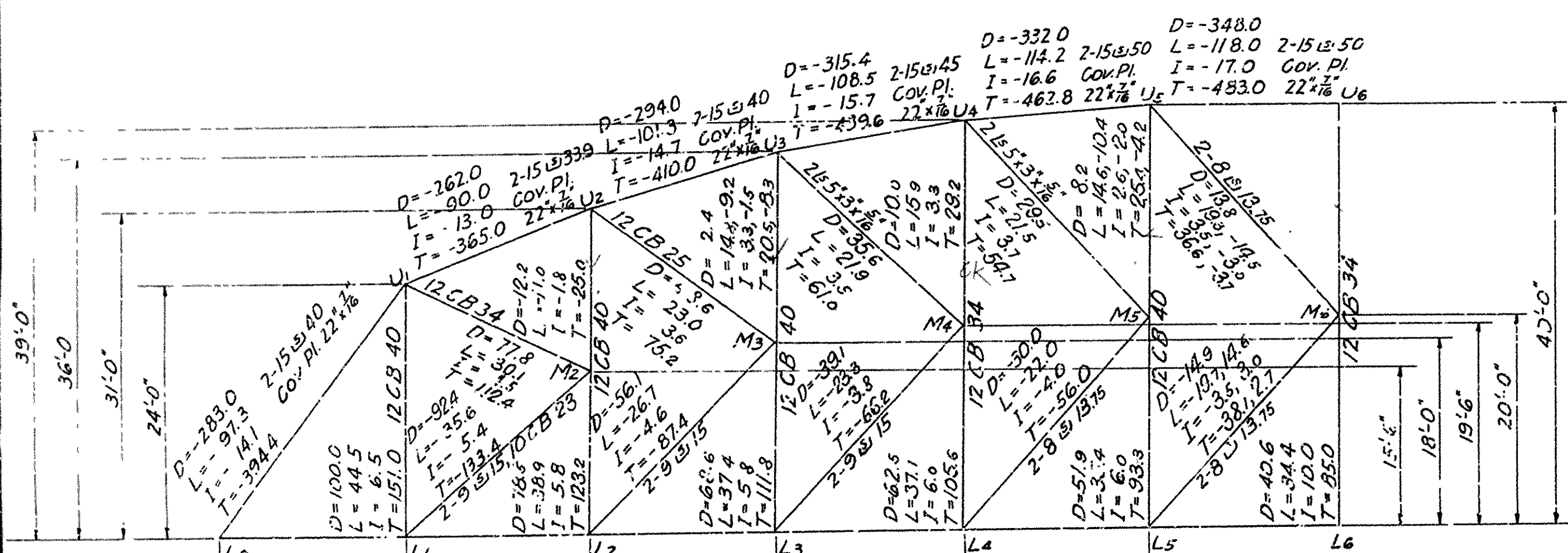


FISCAL YEAR	SHEET No.	TOTAL SHEETS

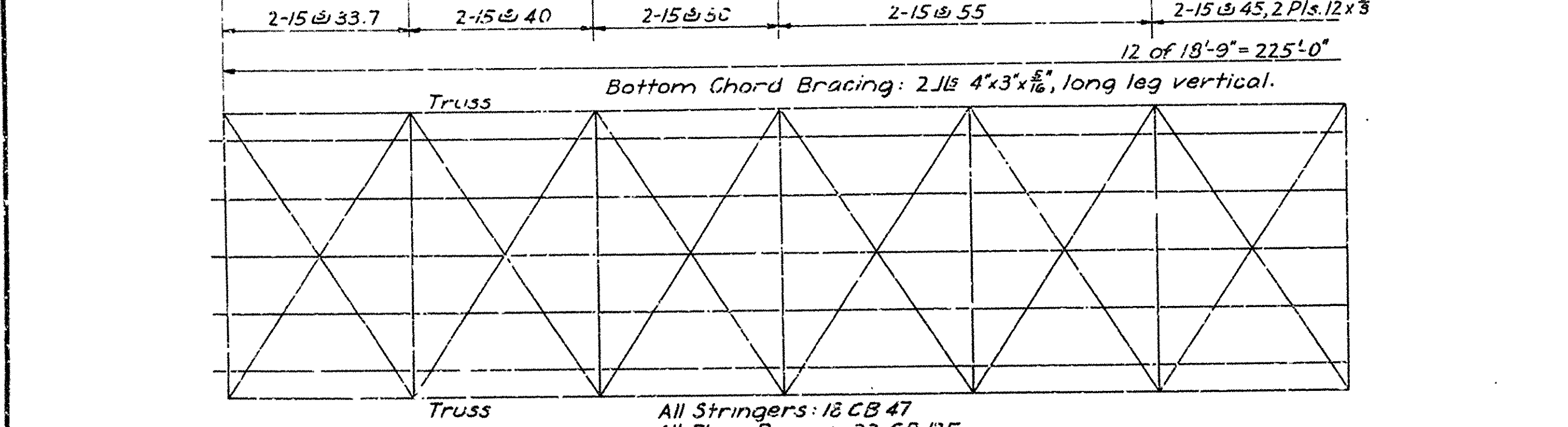


Diagonals - 2 Ls 3x2 1/2 x 7/8"



Reaction D=243.0 L=83.6 I=12.1 T=338.7	L0 D=174.5 L=60.0 I=8.7 T=243.2	L1 D=246.0 L=84.6 I=12.3 T=342.9	L2 D=265.0 L=98.1 I=14.2 T=397.3	L3 D=311.0 L=107.0 I=15.5 T=433.5	L4 D=333.0 L=114.5 I=16.6 T=464.1	L5 D=343.0 L=118.0 I=17.1 T=478.1	L6
---	---	--	--	---	---	---	----

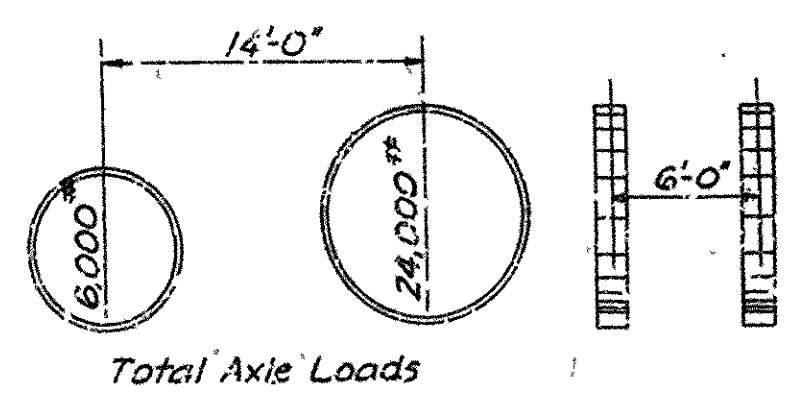
Stresses are given in thousand pounds
+ is tension.
- is compression.



DESIGN STRESSES AND STRUCTURAL MAKE-UP

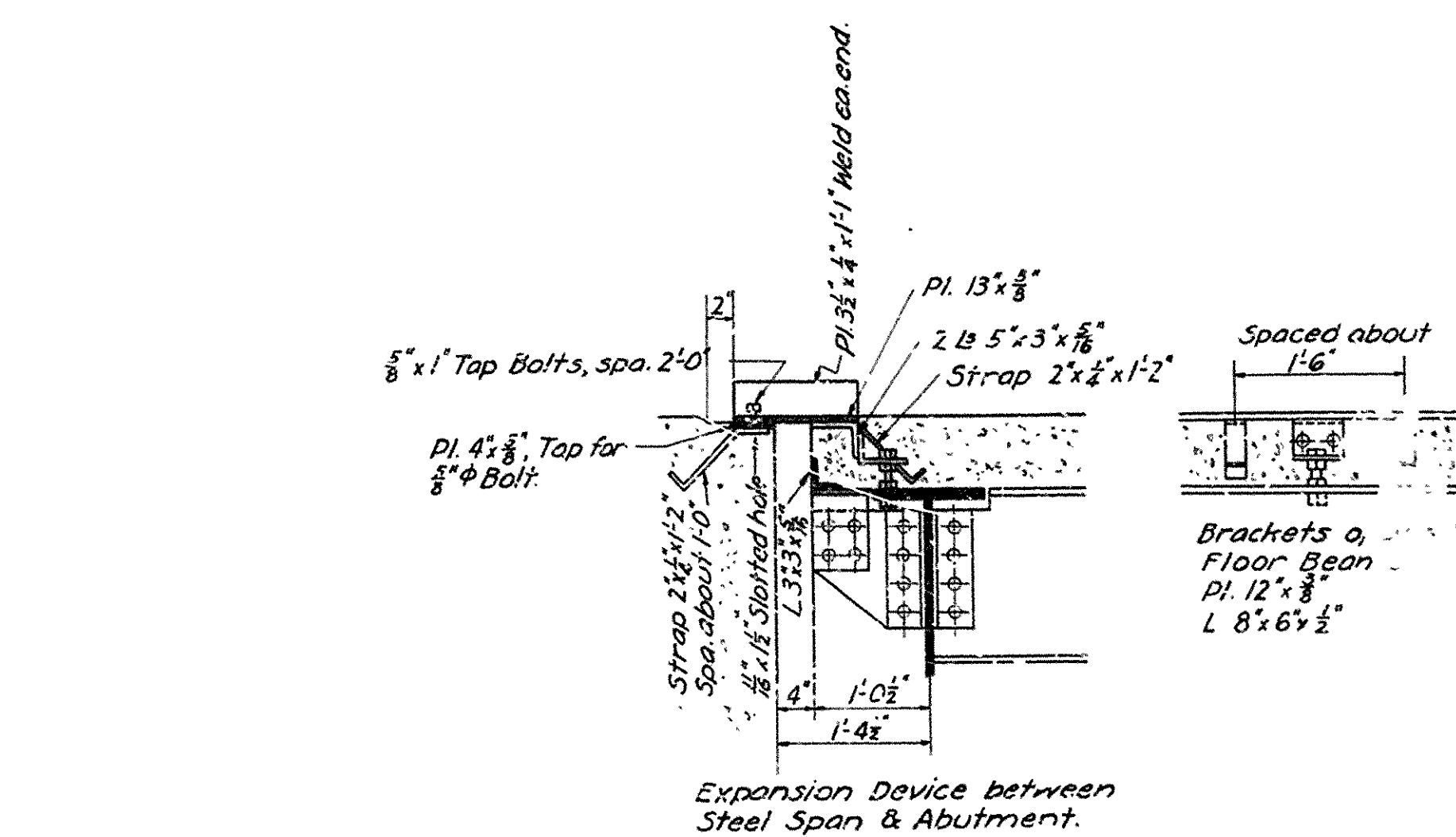
Notes:
7/8 Rivets. 1/2 Holes except in flanges of 9" B.
All holes in truss connections to be punched 1/8" and reamed to size while truss is assembled; this applies to field as well as shop rivets.
Floor Beam and Stringer Connections to be sub-punched and reamed to size through a metal template.
All field connections shall be riveted.
All Floor Beams and Stringers to be milled to exact lengths after framing angles have been riveted.
Shapes of equal or greater strength may be substituted for structural shapes shown; payment, however, will be made in accordance with sizes given on this plan.
Shop paint: After being completely assembled and shop work finished, all pieces shall be given one coat of red lead and raw linseed oil.
Field paint: Apply two coats of different colors as specified by the Engineer.
Floor Slab: Concrete shall be Class "S". One inch has been added for wear.

(notes continued)
This drawing shows general features of design only. Shop drawings shall be made in compliance with specifications, submitted and approved before fabrication is begun.
Specifications: Ark. Standard Road and Bridge Specifications, adopted May 30th, 1925 & Revised.

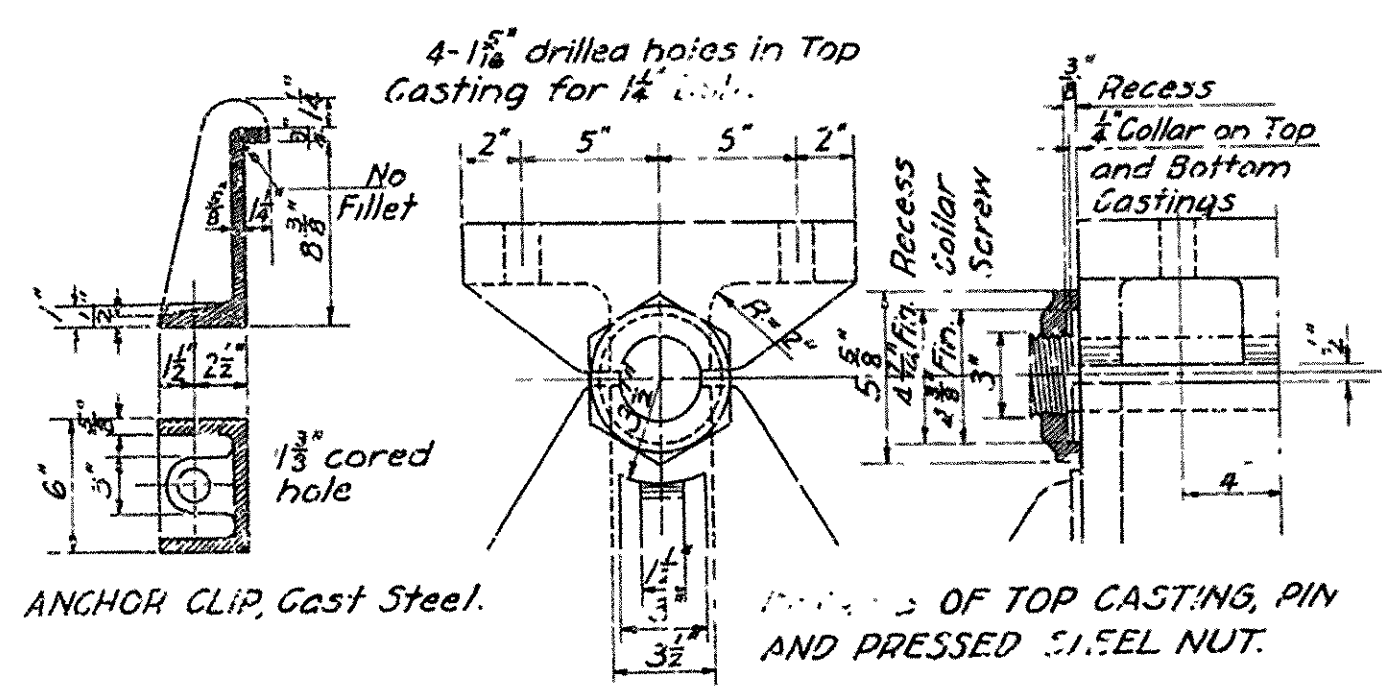


Unit Stresses 750# per sq. in.

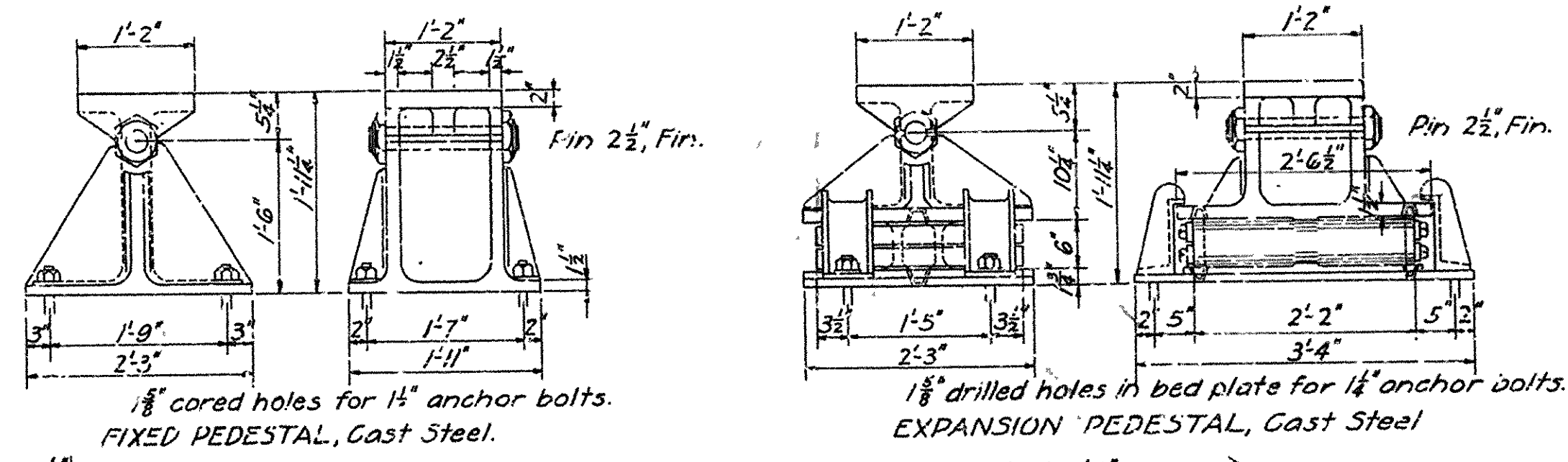
Concrete	750# per sq. in.
Reinforcing Steel	16,000#
Structural Steel	16,000#
Live Load	H 15 Loading



Expansion Device between Steel Span & Abutment.

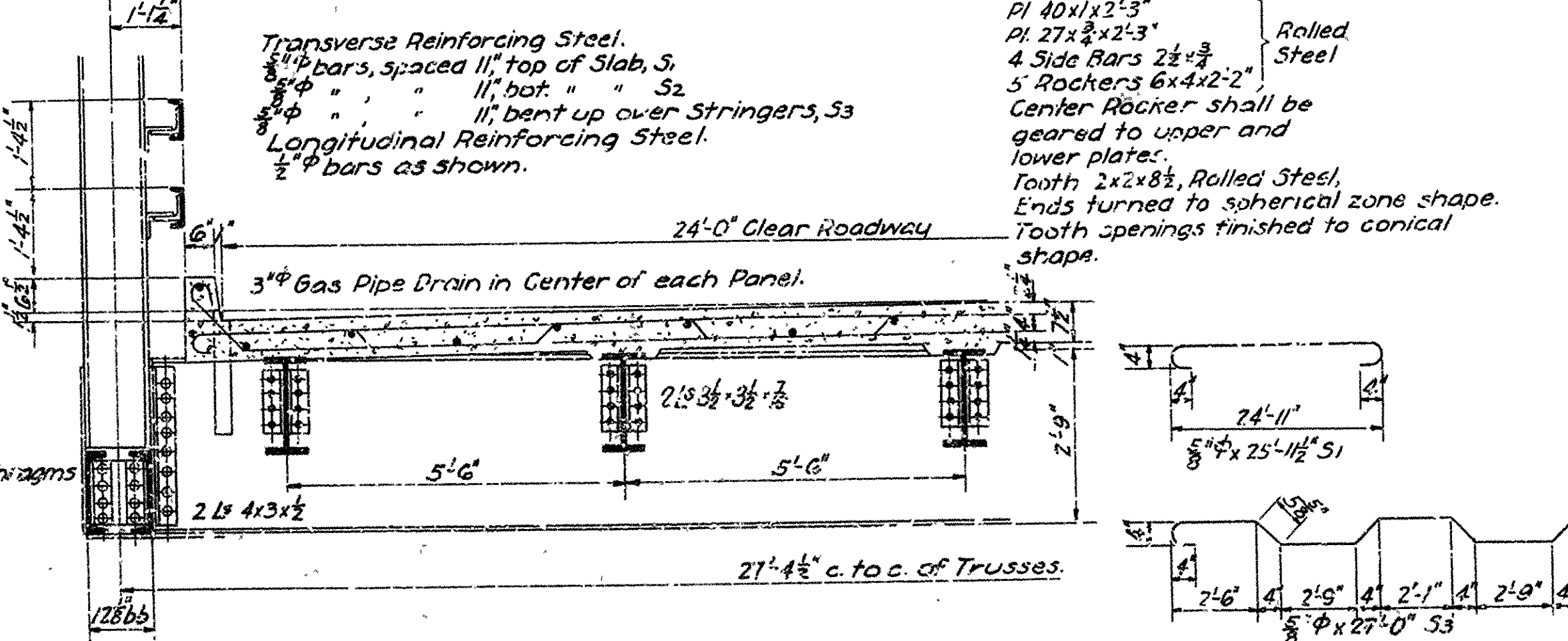


ANCHOR CLIP, Cast Steel.



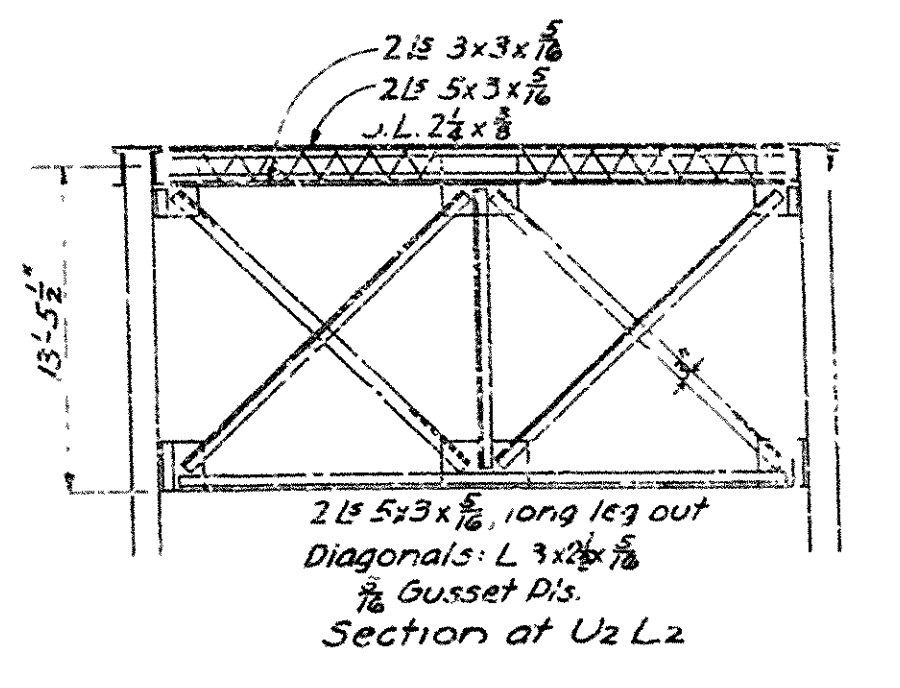
FIXED PEDESTAL, Cast Steel.

EXPANSION PEDESTAL, Cast Steel.

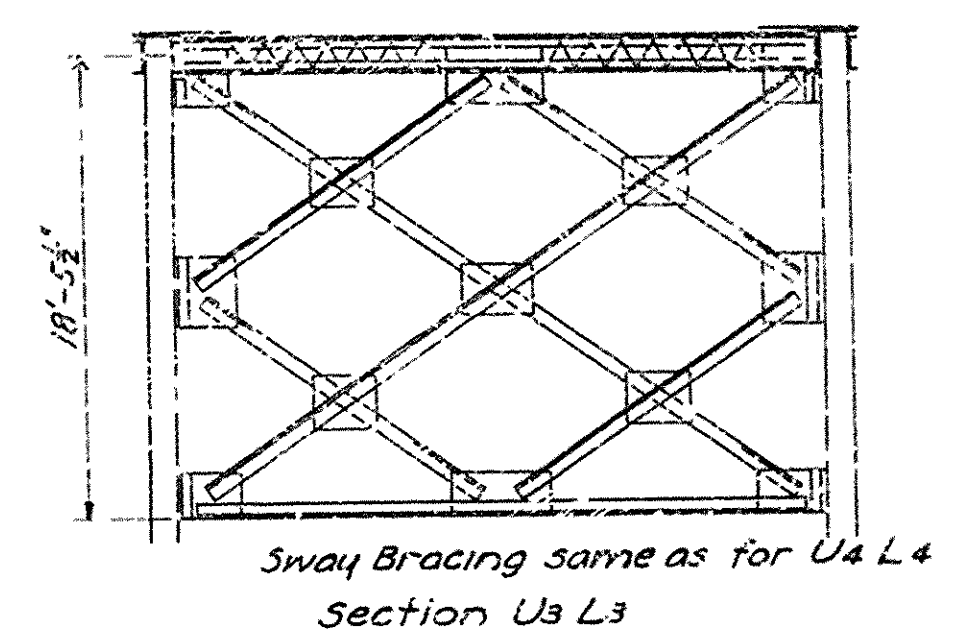


Transverse Reinforcing Steel.
5/8" bars, spaced 11" top of Slab, 5.
5/8" " " " 11" bot " " S2
3/4" " " " 11" bent up over Stringers, S3
Longitudinal Reinforcing Steel.
1/2" bars as shown.

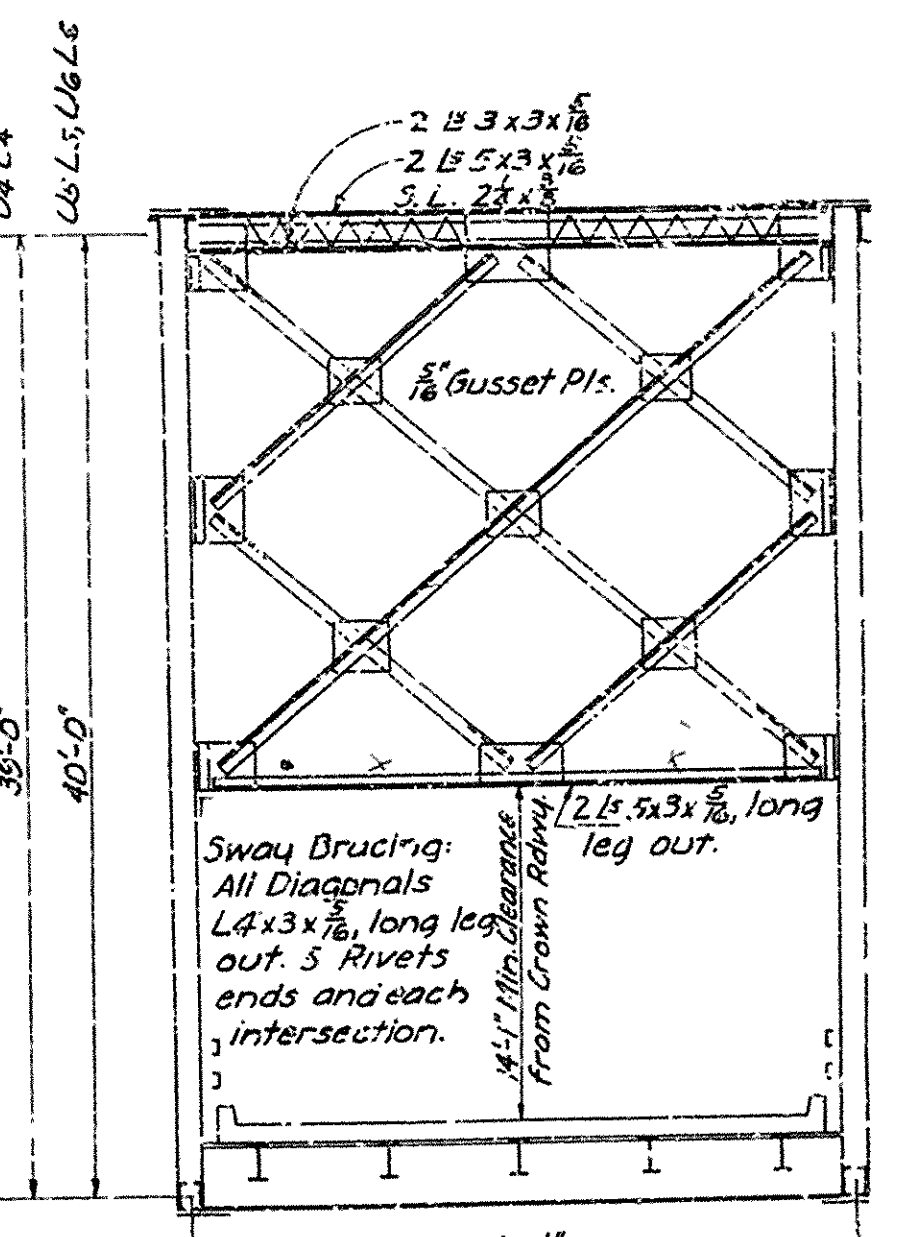
PI 40x12-3"
PI 27x3x2-3"
4 Side Bars 2 1/2 x 3"
5 Rockers 6x4x2-2"
Center Rocker shall be geared to upper and lower plates.
Tooth 2x2x8", Rolled Steel, Ends turned to spherical zone shape. Tooth openings finished to conical shape.



Section at U2 L2



Section at Ua L3



Section at U4 L4, U5 L5, U6 L6

STANDARD PLAN
225'-0" THROUGH TRUSS SPAN
24'-0" CLEAR ROADWAY
ROUTE 660
ARKANSAS STATE HIGHWAY COMMISSION
LITTLE ROCK, ARK.
Drawn By: A Date: 5-9-30
Traced By: SLL Date: 5-13-30
Checked By: [Signature] Date: 2-12-30
BRIDGE No. [Blank] DRAWING No. 2459

ESTIMATED QUANTITIES

Concrete, Class "S"	138.4	Cu. Yds.
Reinforcing Steel	23,100	Lbs.
Structural Steel	368,260	"
Cast Steel	1,500	"

W.B. [Signature]
BRIDGE ENGINEER