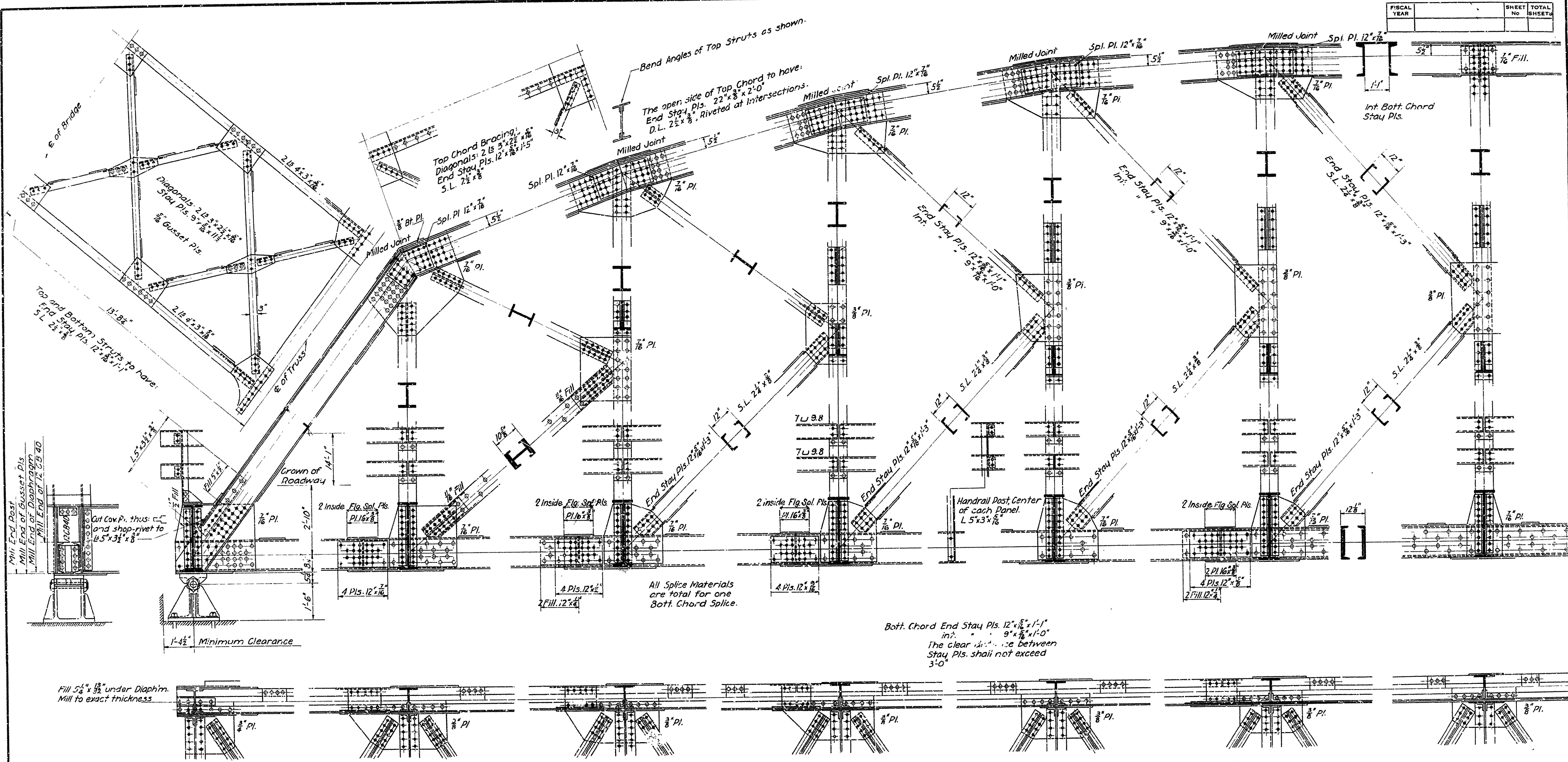


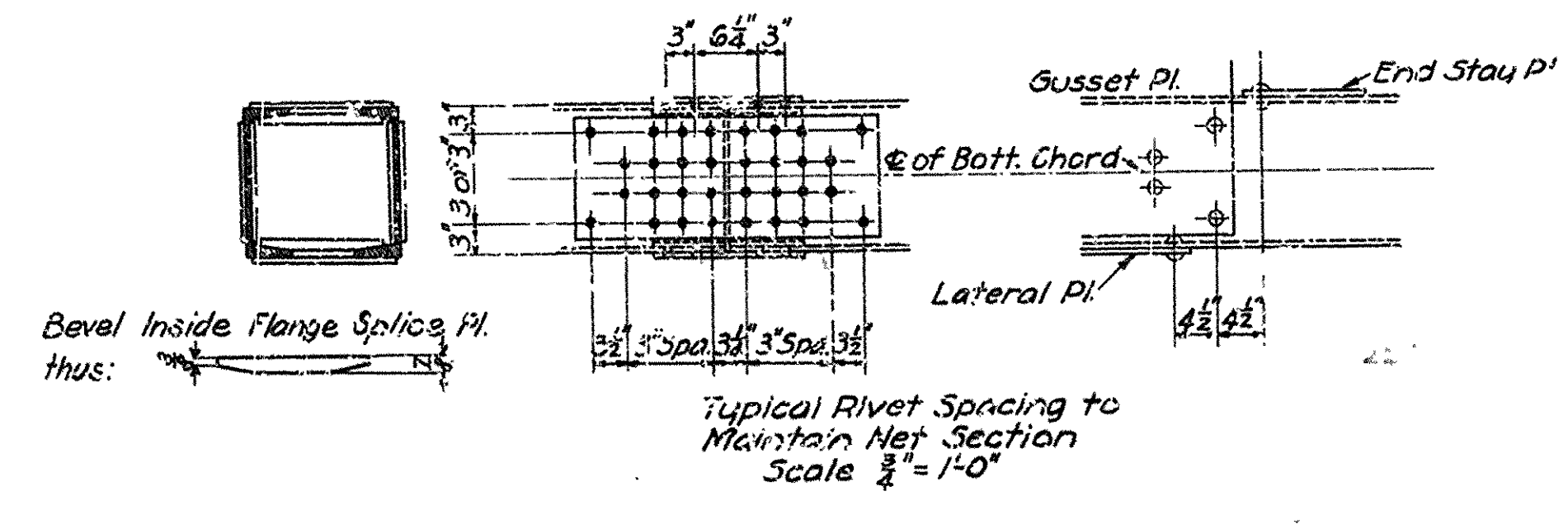
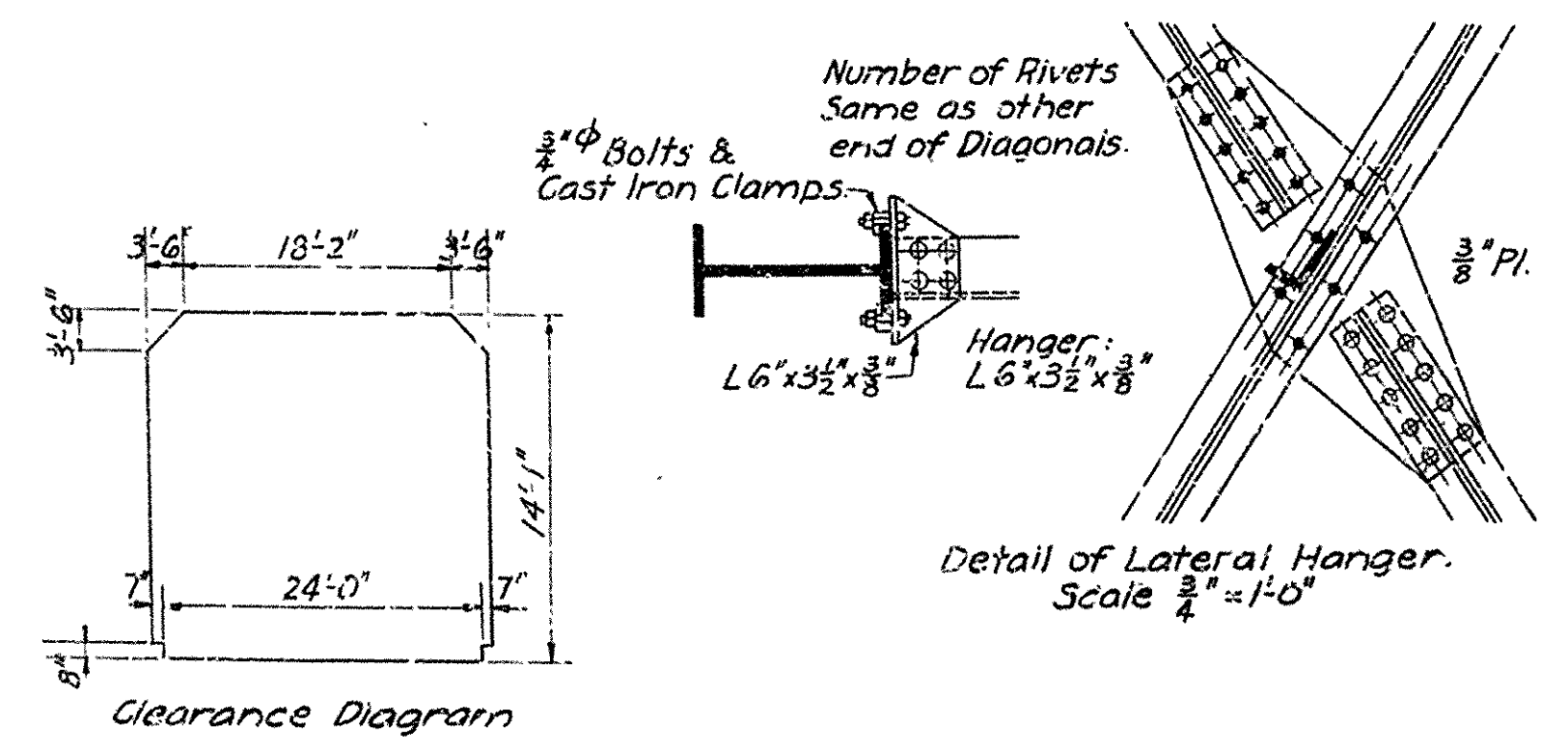
FISCAL YEAR	SHEET NO	TOTAL SHEETS



Fill 5/8"x3/4" under Diaphragm. Mill to exact thickness

Scale for Skeleton Lines, 1/2" = 1'-0"
" " Details, 1/4" = 1'-0"

For Notes See Drwg No. 2459



**DETAILS
225'-0" THROUGH TRUSS SPAN
24'-0" CLEAR ROADWAY**

**ARKANSAS STATE HIGHWAY COMMISSION
LITTLE ROCK, ARK.**

Drawn By: [Signature] Date: 5-12-30
Traced By: [Signature] Date: 5-12-30
Checked By: [Signature] Date: 4-12-30

Scale: as noted.

BRIDGE ENGINEER

BRIDGE NO. 2458 DRAWING NO. 2458