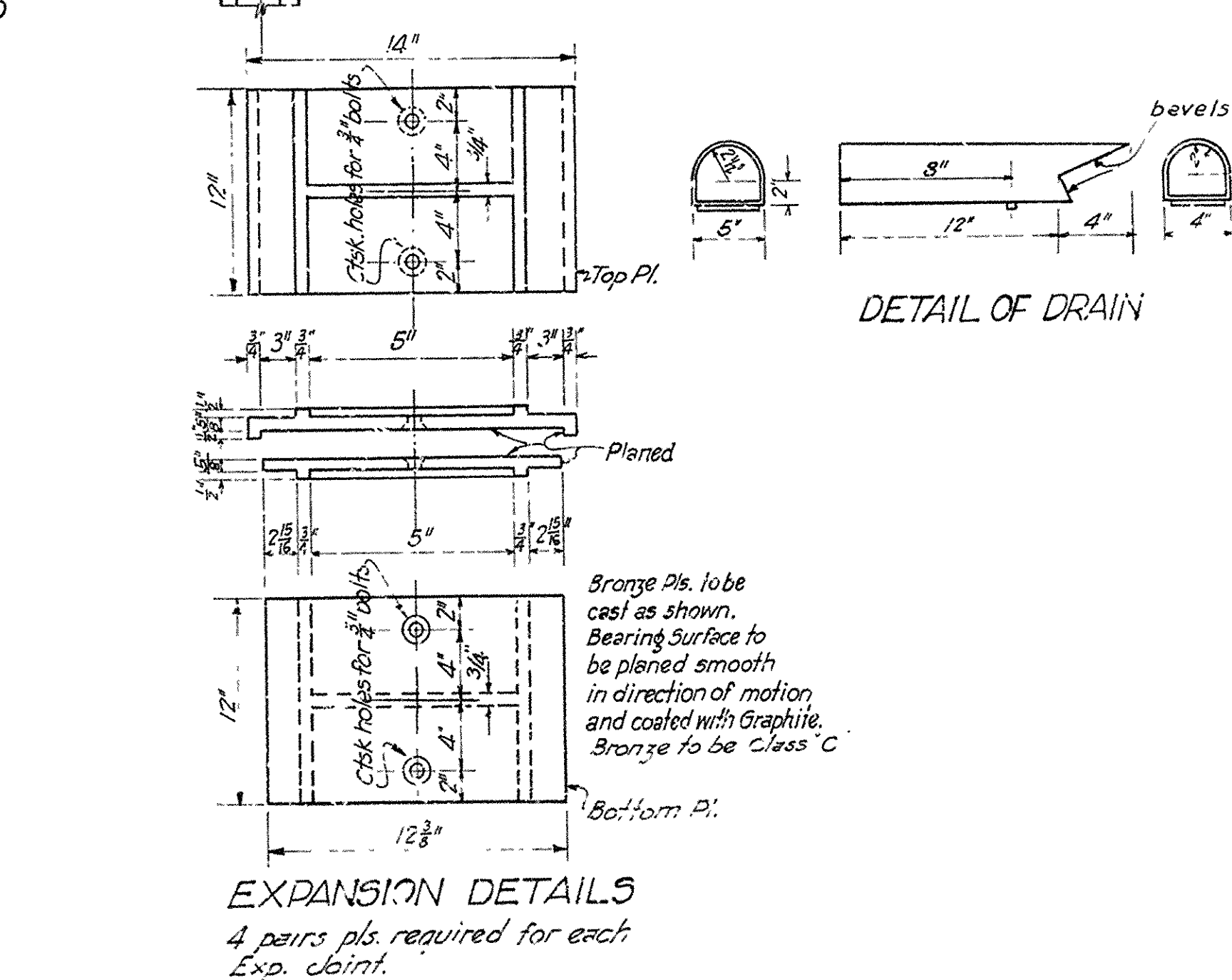
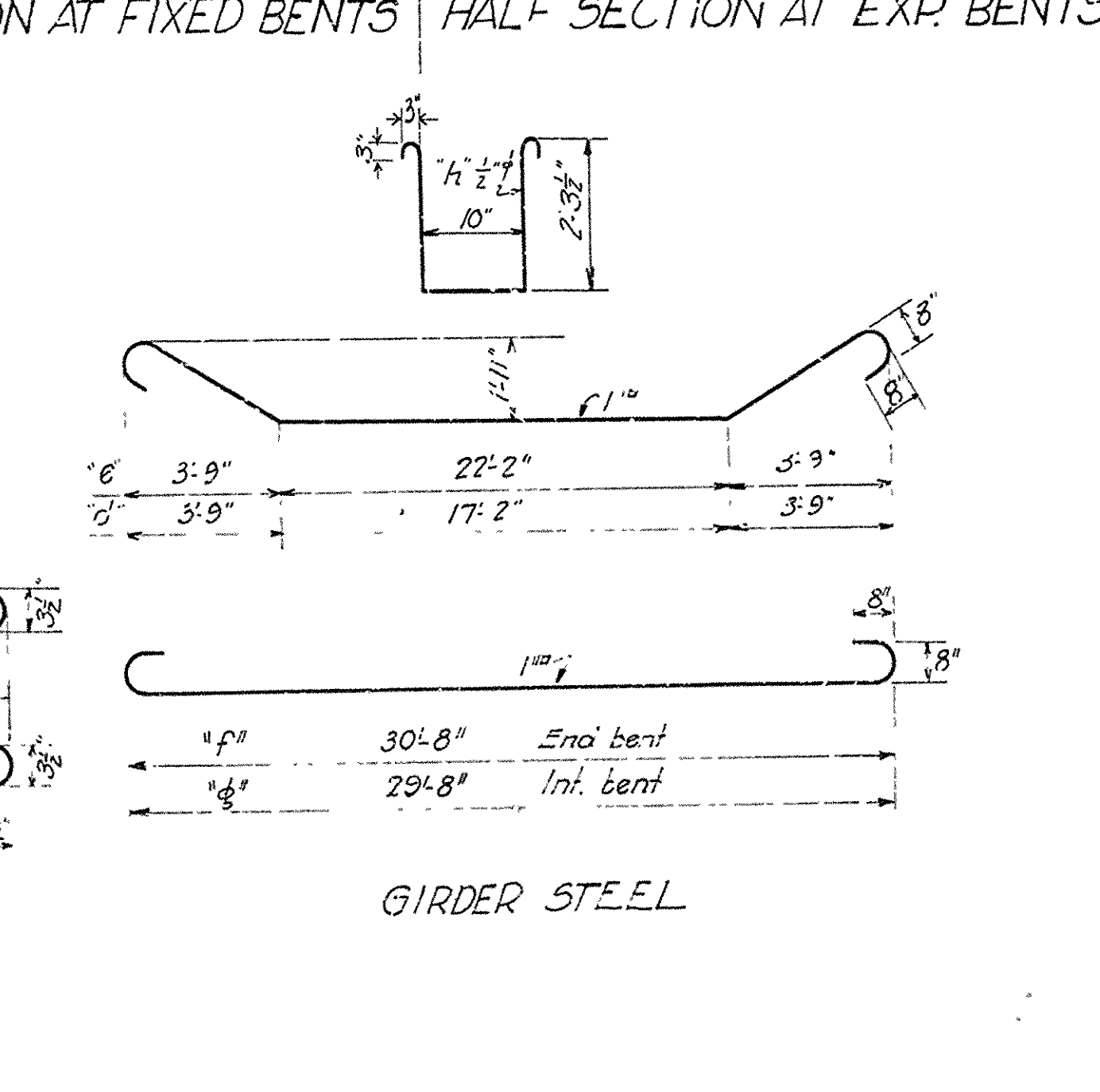
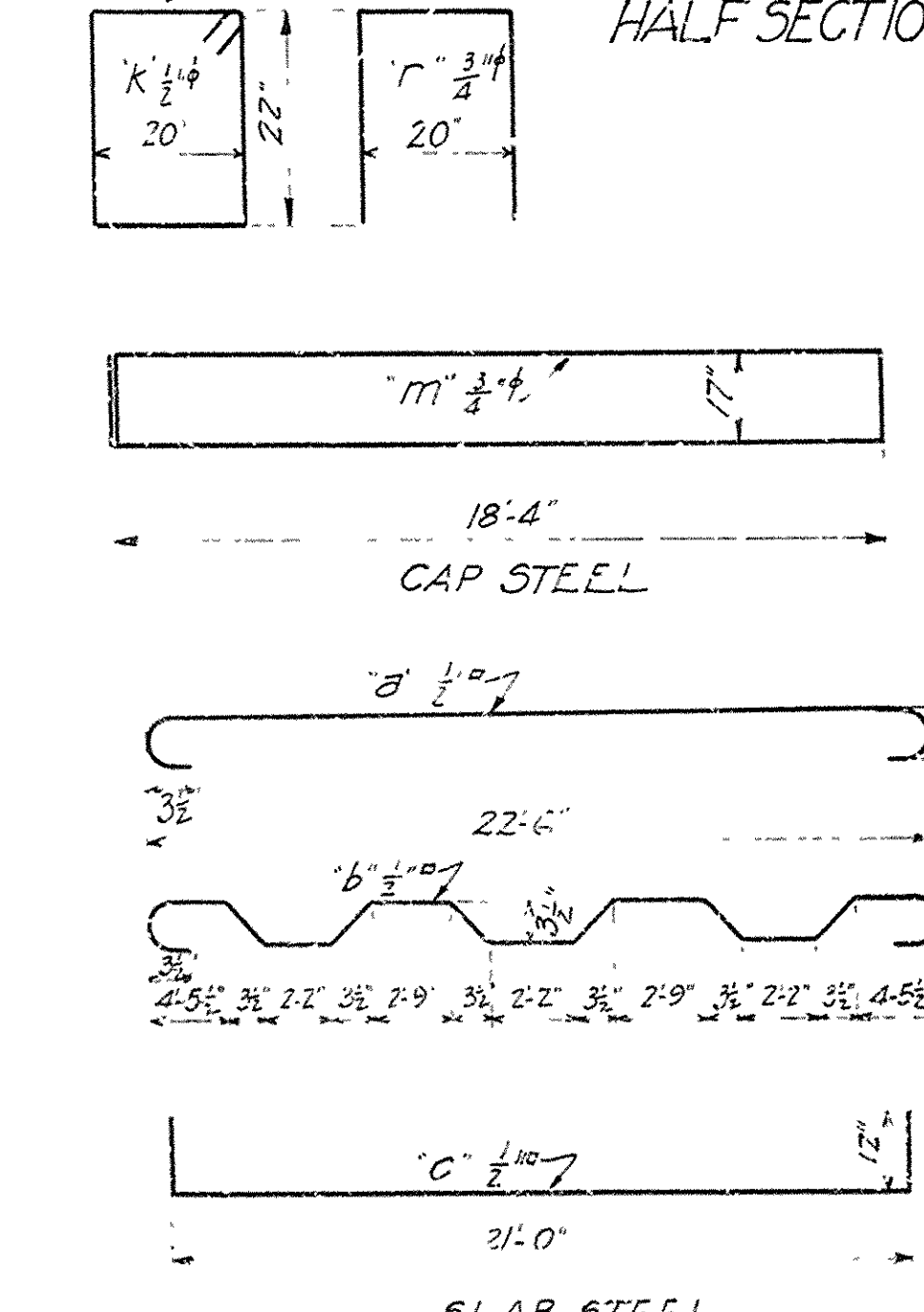
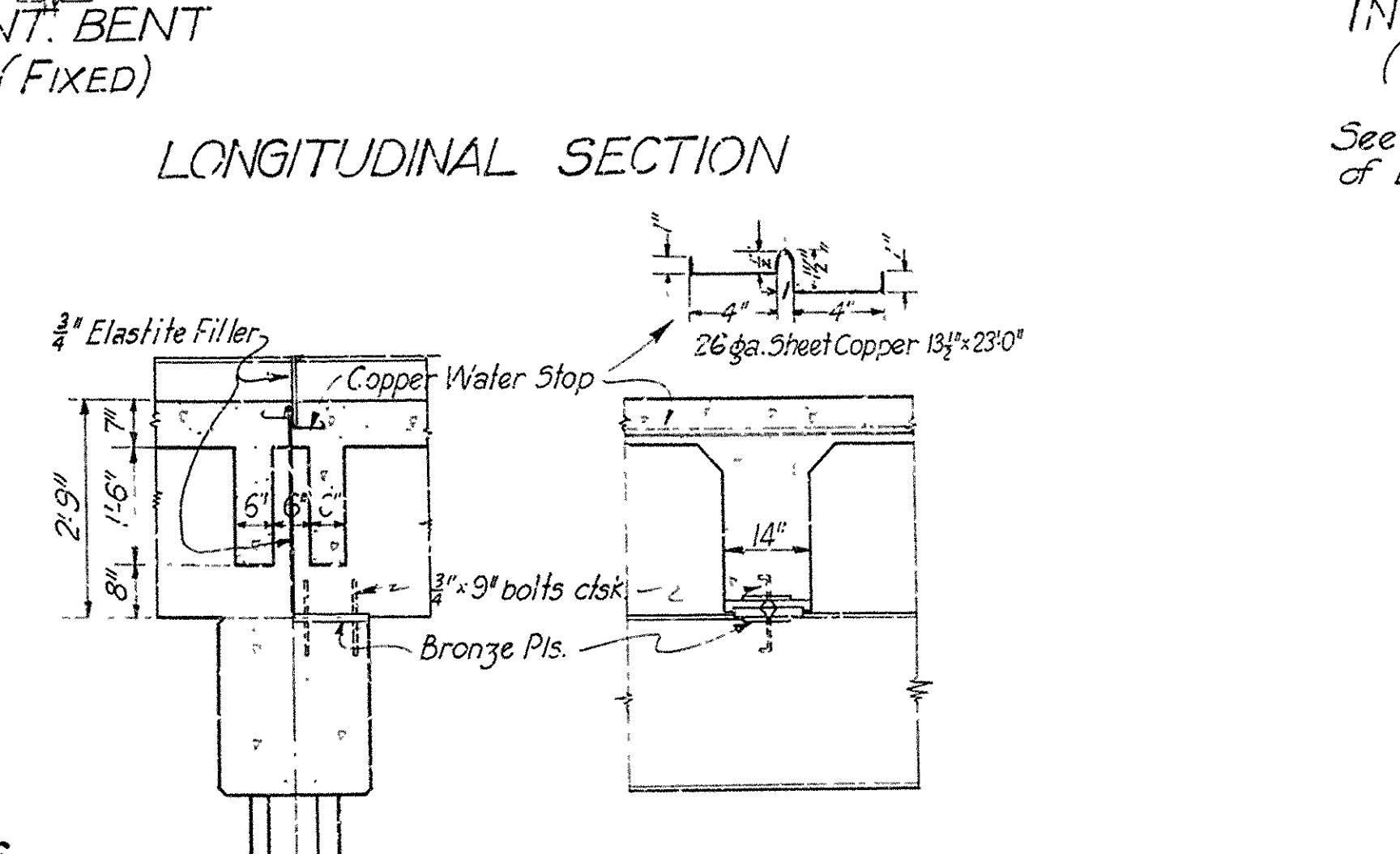
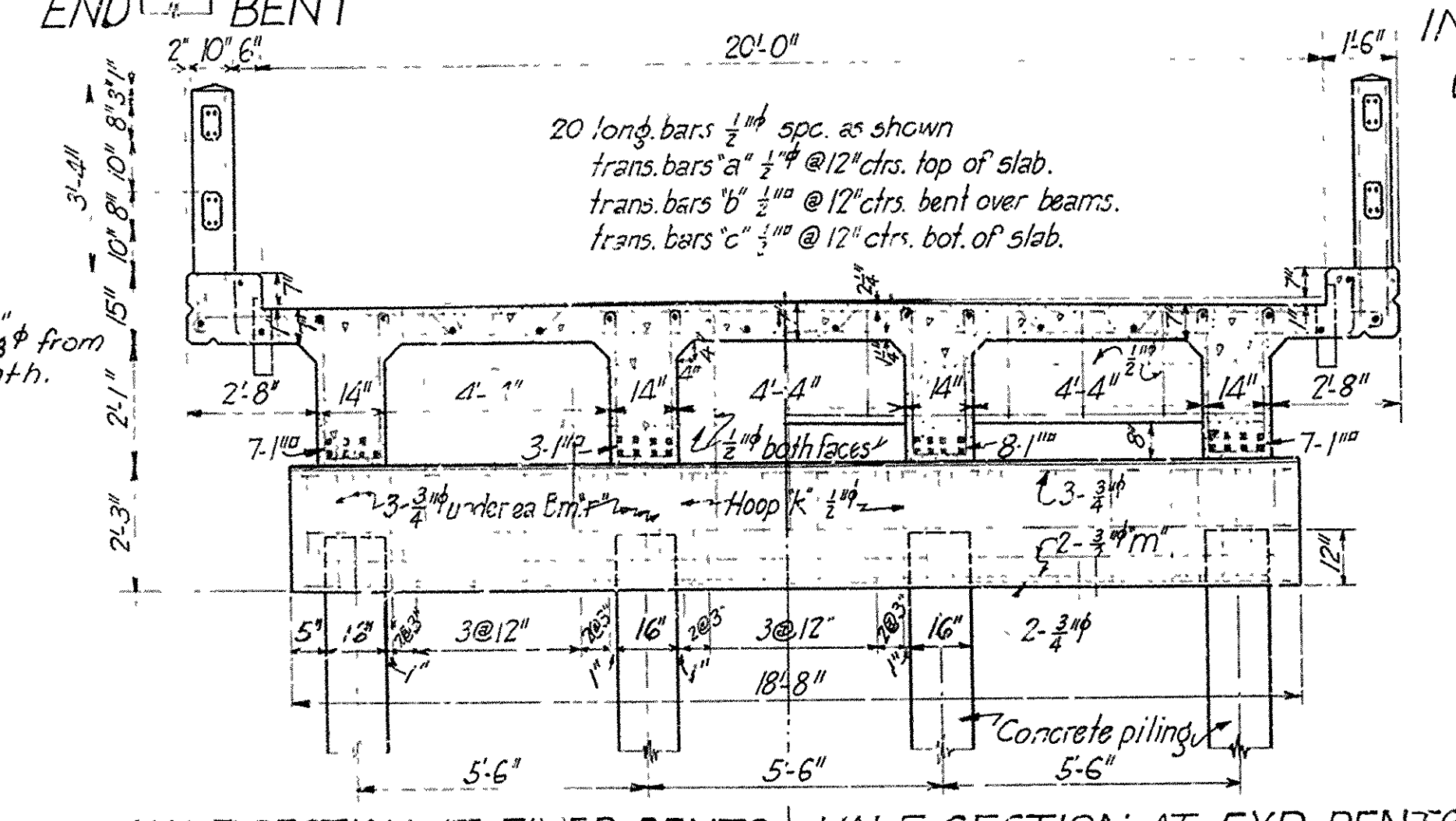
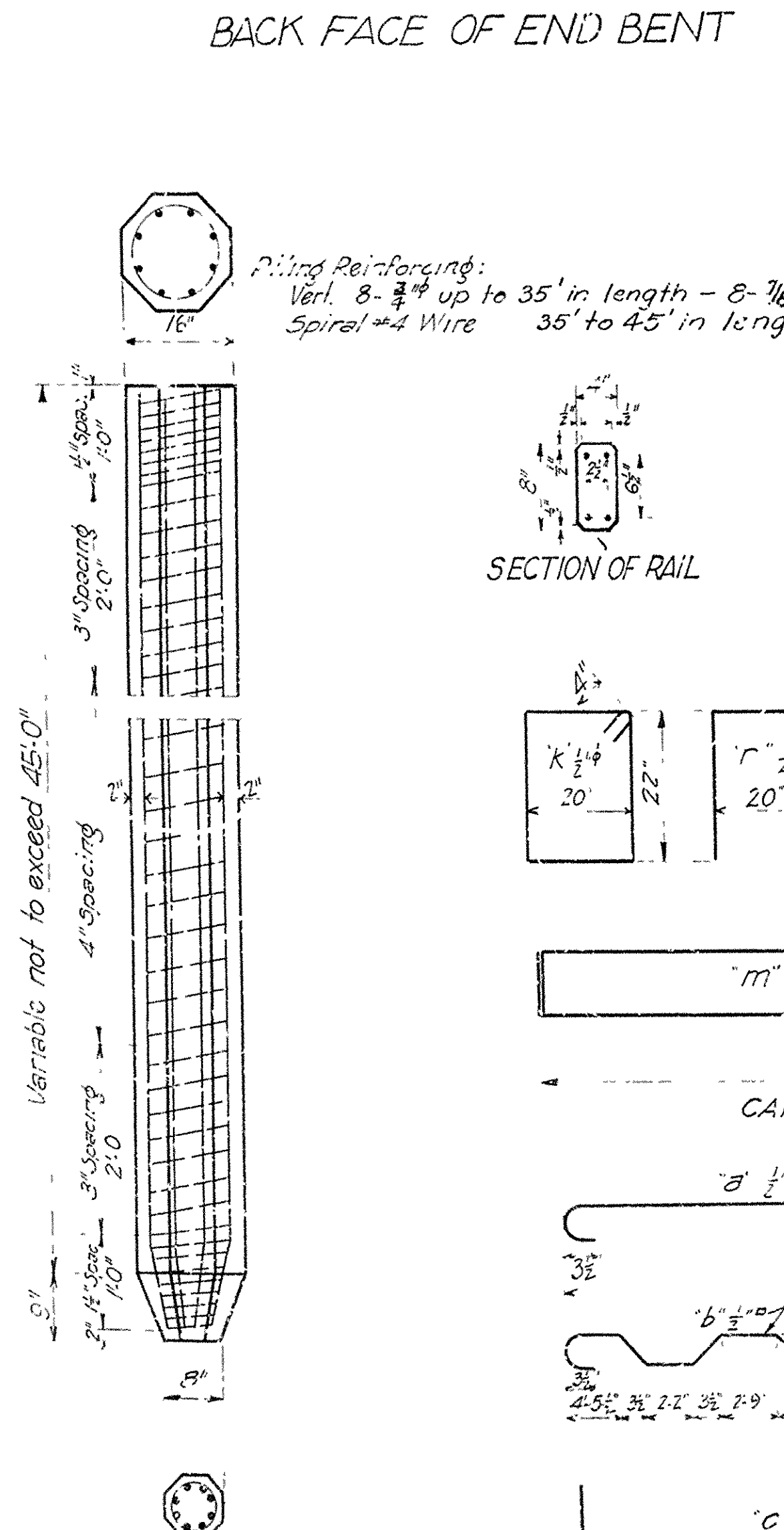
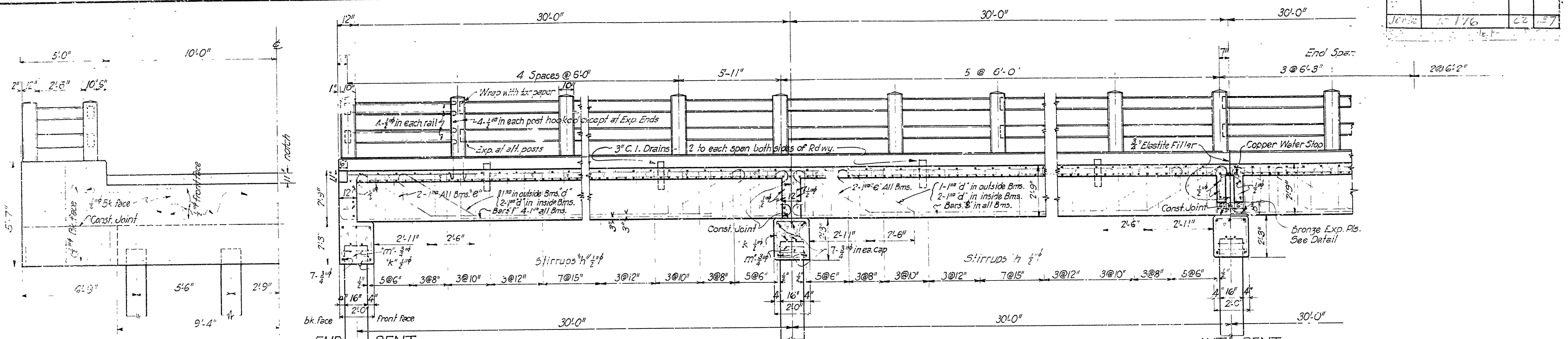


Job No.	176	22	37
---------	-----	----	----



Notes:-
 All exposed corners to have 3/8" chamfer unless otherwise noted.
 Precast concrete Handrails to be 1:3 Mix. Max. Agg. 1".
 Concrete Piling to be Class "S" concrete and to have a minimum capacity of 30 tons each.
 * All Concrete except Handrail to be Class "S".
 Reinforcing Steel to be deformed bars of Structural or Intermediate grade.
 Shop List and Bending Diagrams of Reinforcing Steel must be submitted by Contractor before fabrication is begun.
 Roadway and Expansion Devices to be paid for as Reinforcing Steel.
 Specifications: Arkansas Standard Road and Bridge Specifications adopted May 30th, 1925.

DETAILS OF
 30'-0" CONC. GIRDER & CONC. PILE BENTS
 BRIDGE OVER RAMSEY BOTTOM
 GRANITE RIVER BRIDGE AT SATESVILLE, INDEPENDENCE CO., ARK.
 ROUTE ONE SECTION
 ARKANSAS STATE HIGHWAY DEPARTMENT
 LITTLE ROCK, ARK.
 Drawn By: [Signature] Date: 11-1-27
 Traced By: [Signature] Date: 11-2-27
 Checked By: [Signature] Date: [Blank]
 Bridge No. 404
 Scale: 3/8" = 1'-0" except as noted.
 Drawing No. 173

M. B. [Signature]
 Bridge Engineer