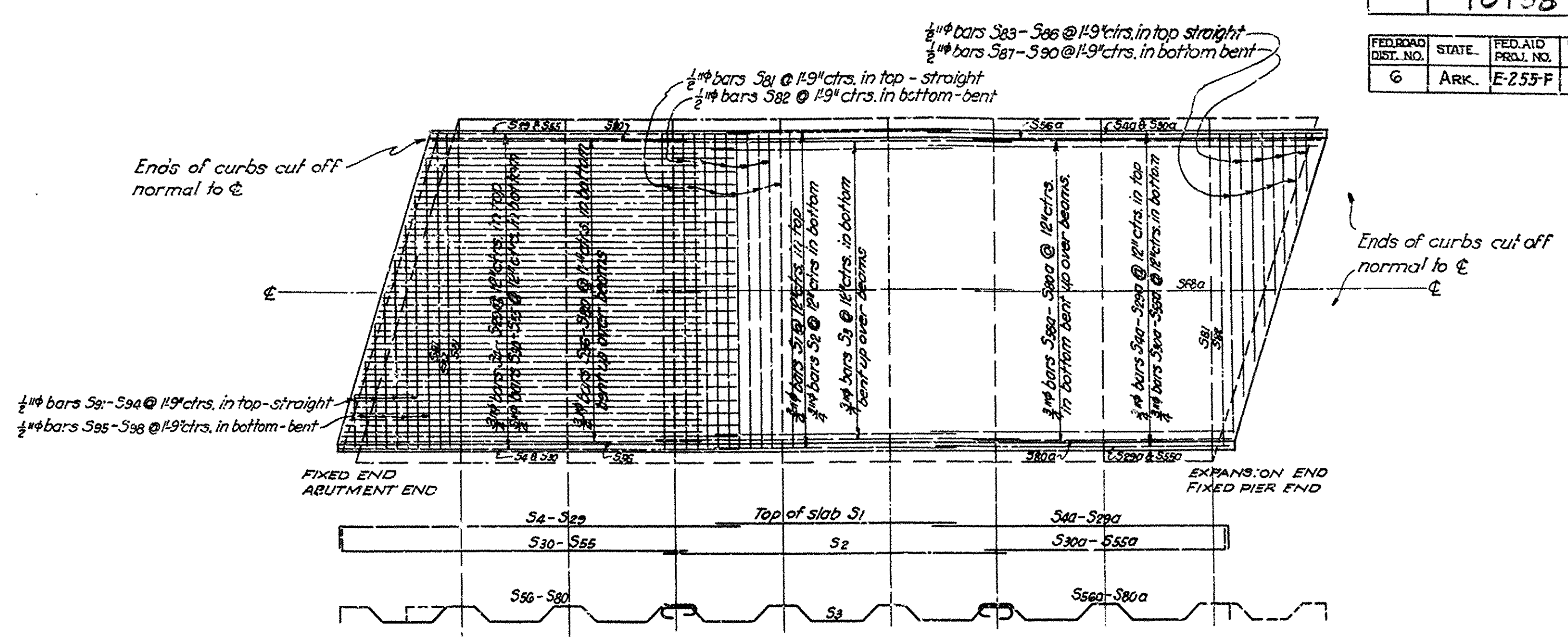
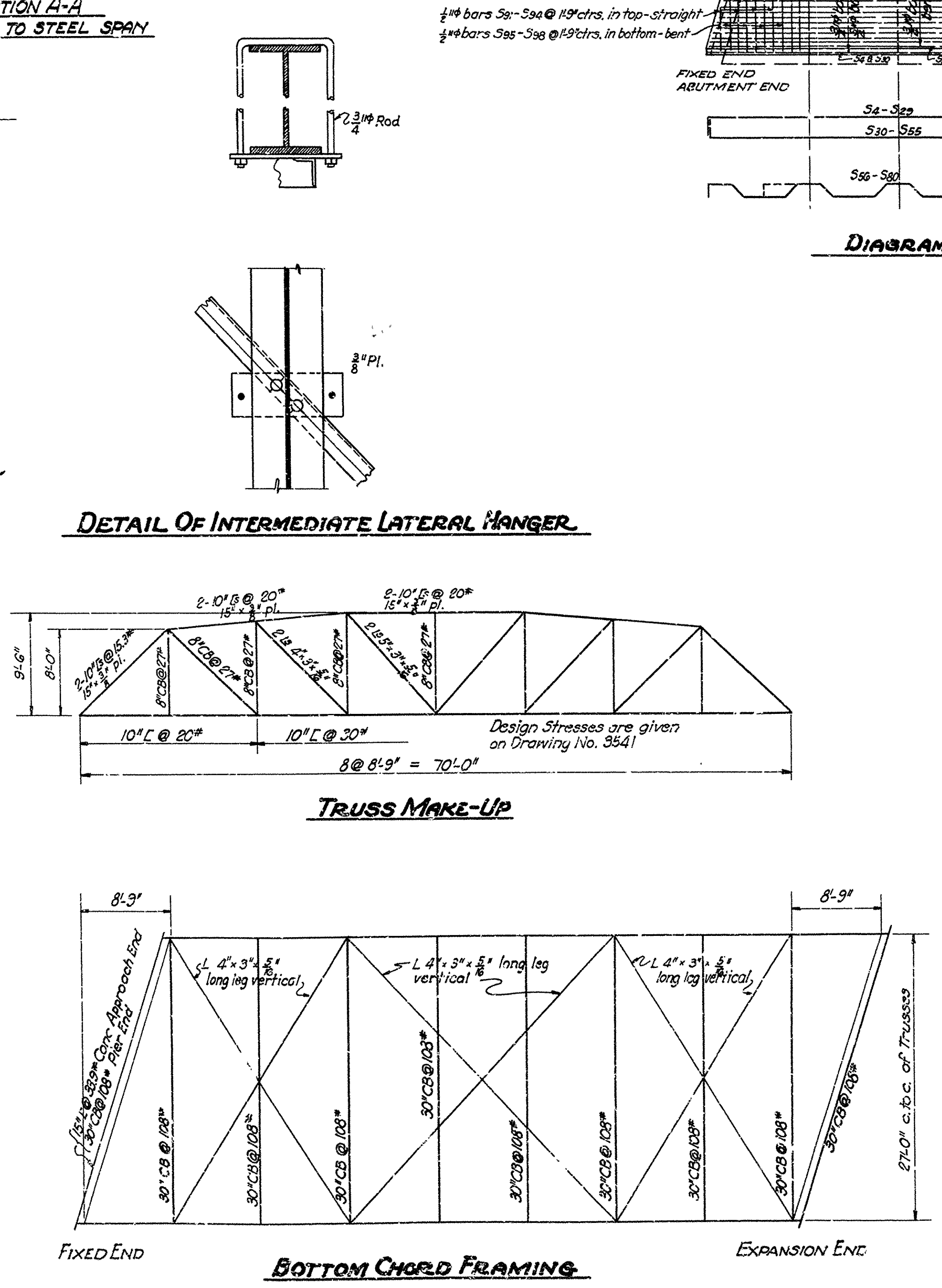
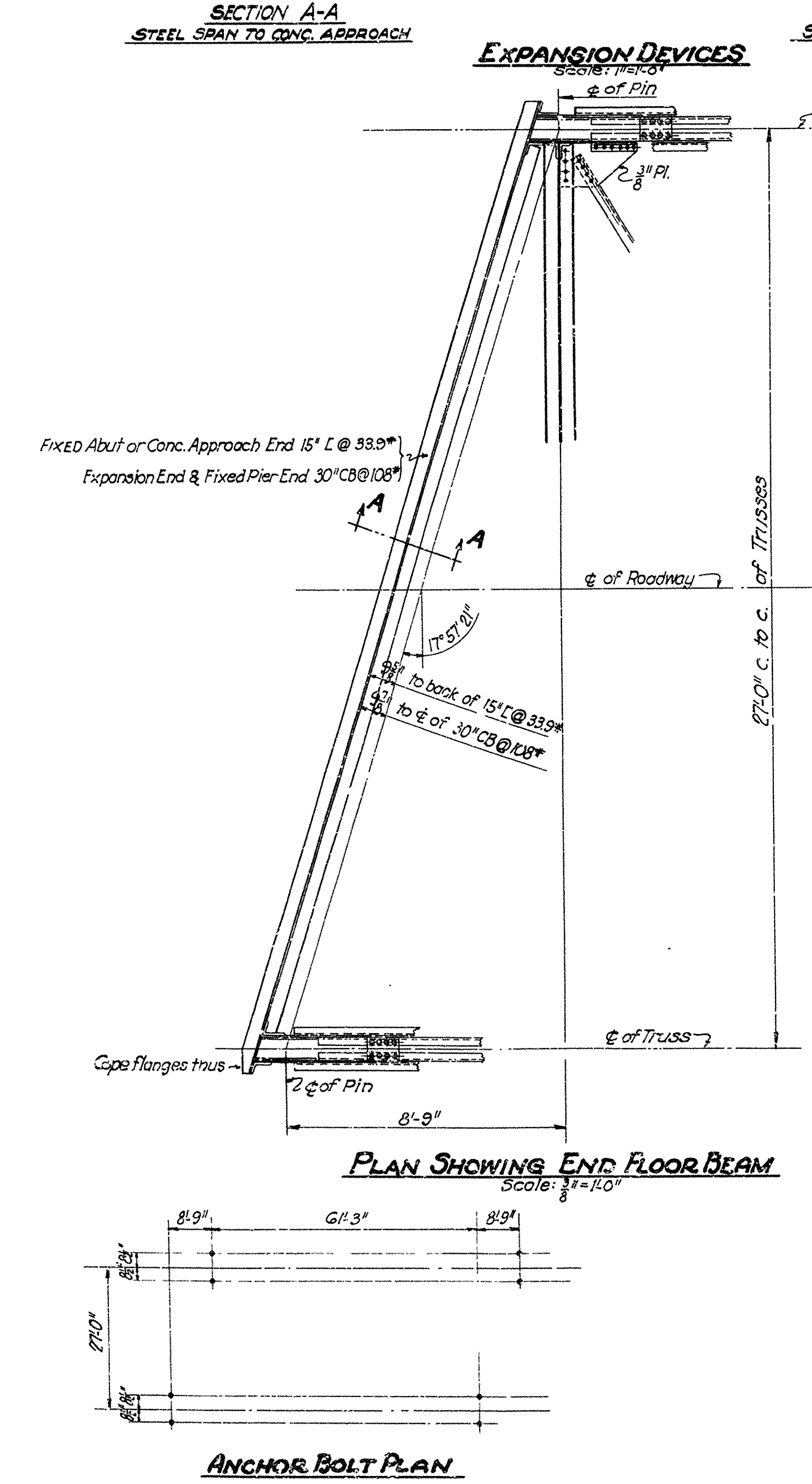
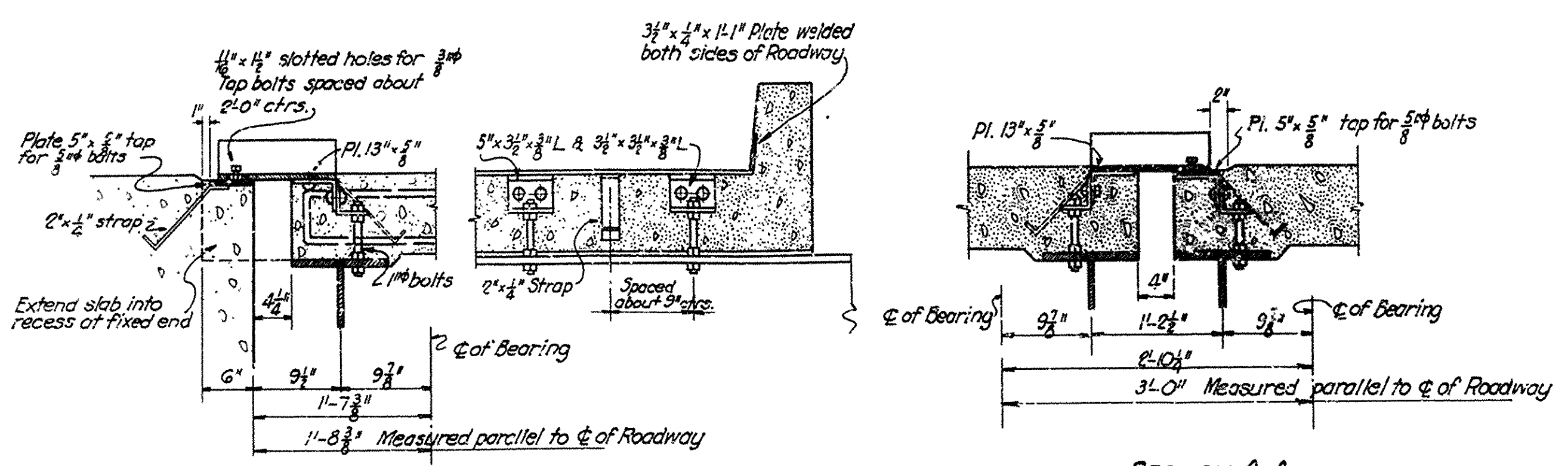


FISCAL YEAR	State Job No.	SHEET TOTAL
	10158	23 39
FED. ROAD DIST. NO.	STATE	FED. AID PROJ. NO.
G	ARK.	E-255-F
FISCAL YEAR	SHEET NO.	TOTAL SHEETS
	23	59



MARK	SIZE	LENGTH	'A'	'B'
S4-S29	3/8"	Varies 25'-8" to 33'-9"	Varies 25'-3" to 33'-4"	
S40-S79a	3/8"	Varies 21'-9" to 27'-10"	Varies 21'-4" to 27'-5"	
S30-S55	1/2"	Varies 21'-4" to 29'-5"	Varies 20'-11" to 29'-0"	
S30a-S55a	3/8"	Varies 20'-5" to 28'-6"	Varies 20'-0" to 28'-1"	
S82	1/2"	27'-4"		
S71-S90	1/2"	Varies 22'-0" to 27'-10"	Varies 21'-5" to 27'-5"	
S55-S98	1/2"	Varies 25'-5" to 31'-2"	Varies 25'-0" to 31'-1"	
S80-S80a	3/8"	Varies 27'-3" to 23'-6"	Varies 27'-1" to 23'-4"	
S60a-S80a	3/8"	Varies 26'-2" to 22'-9"	Varies 26'-0" to 22'-5"	
S75-S	3/8"	Varies 31'-0" to 27'-11"	3'-0"	Varies 4'-9" to 0'-10"
S80a-S80a	3/8"	Varies 30'-11" to 27'-0"	2'-1"	Varies 4'-9" to 0'-10"
S3	3/8"	32'-4"		
S1	3/8"	19'-6"		
S2	3/8"	28'-3"		
S81	1/2"	24'-11"		
S83-S86	1/2"	Varies 28'-2" to 7'-11"		
S91-S94	1/2"	Varies 25'-3" to 3'-3"		

SPECIAL DETAILS
70'-0" LOW TRUSS SPAN
24'-0" CLEAR ROADWAY, ONE PANEL SKEW RT.

ARKANSAS STATE HIGHWAY COMMISSION
 LITTLE ROCK, ARK.

Drawn By: H.B. Date: 2-9-33
 Traced By: E.A.M. Date: 2-19-33
 Checked By: _____ Date: _____

BRIDGE NO. _____ DRAWING NO. 3542

Scale: As shown

FOR DETAILS NOT SHOWN HERE, SEE DRAWING NO. 3541

M.B. Larver
 BRIDGE ENGINEER

St. No. 1758