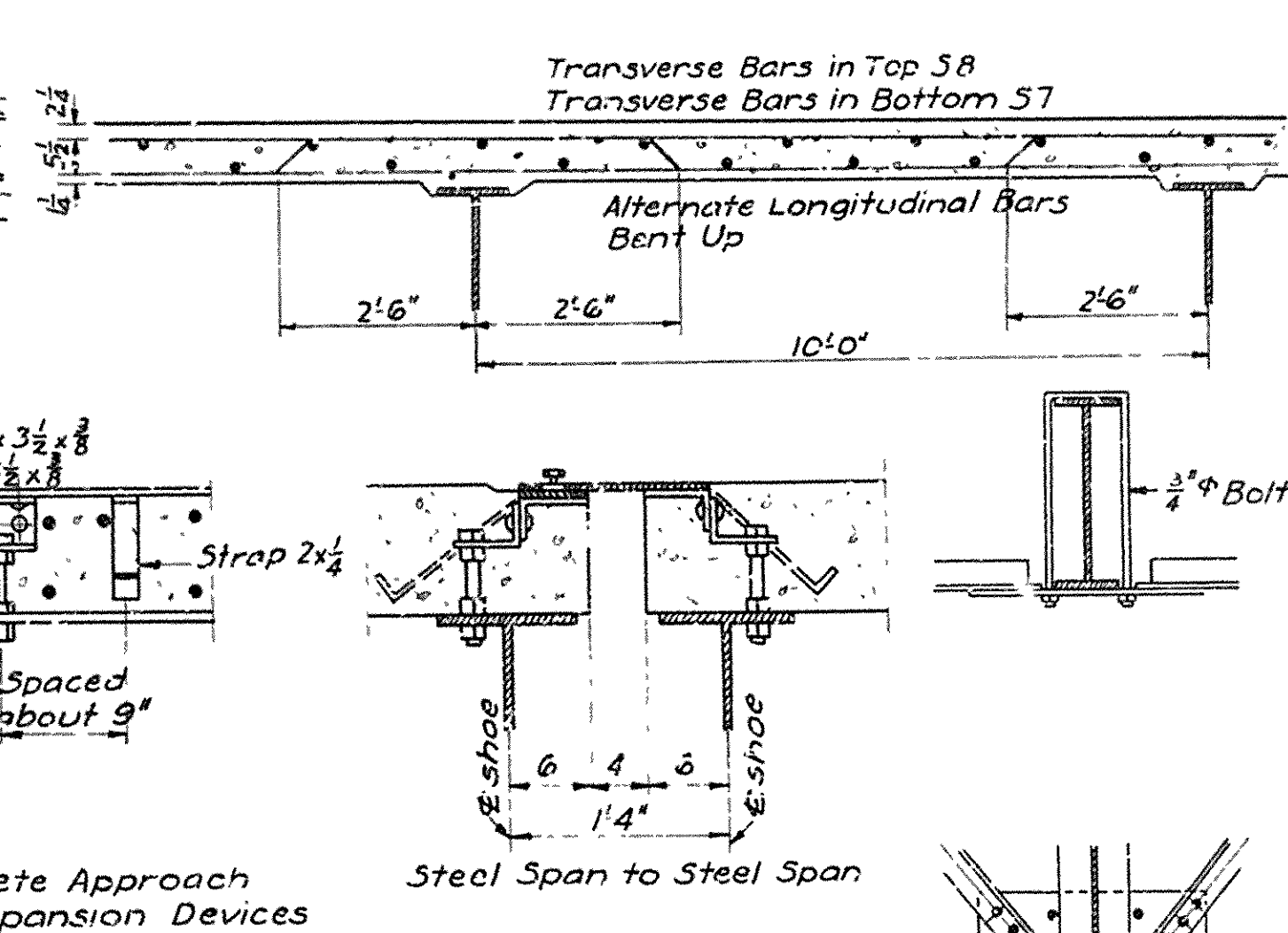
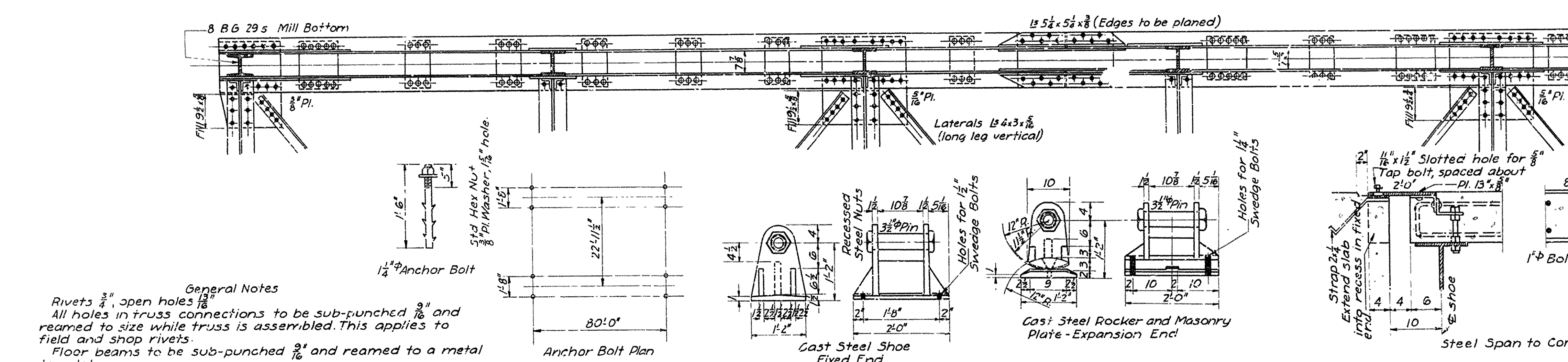
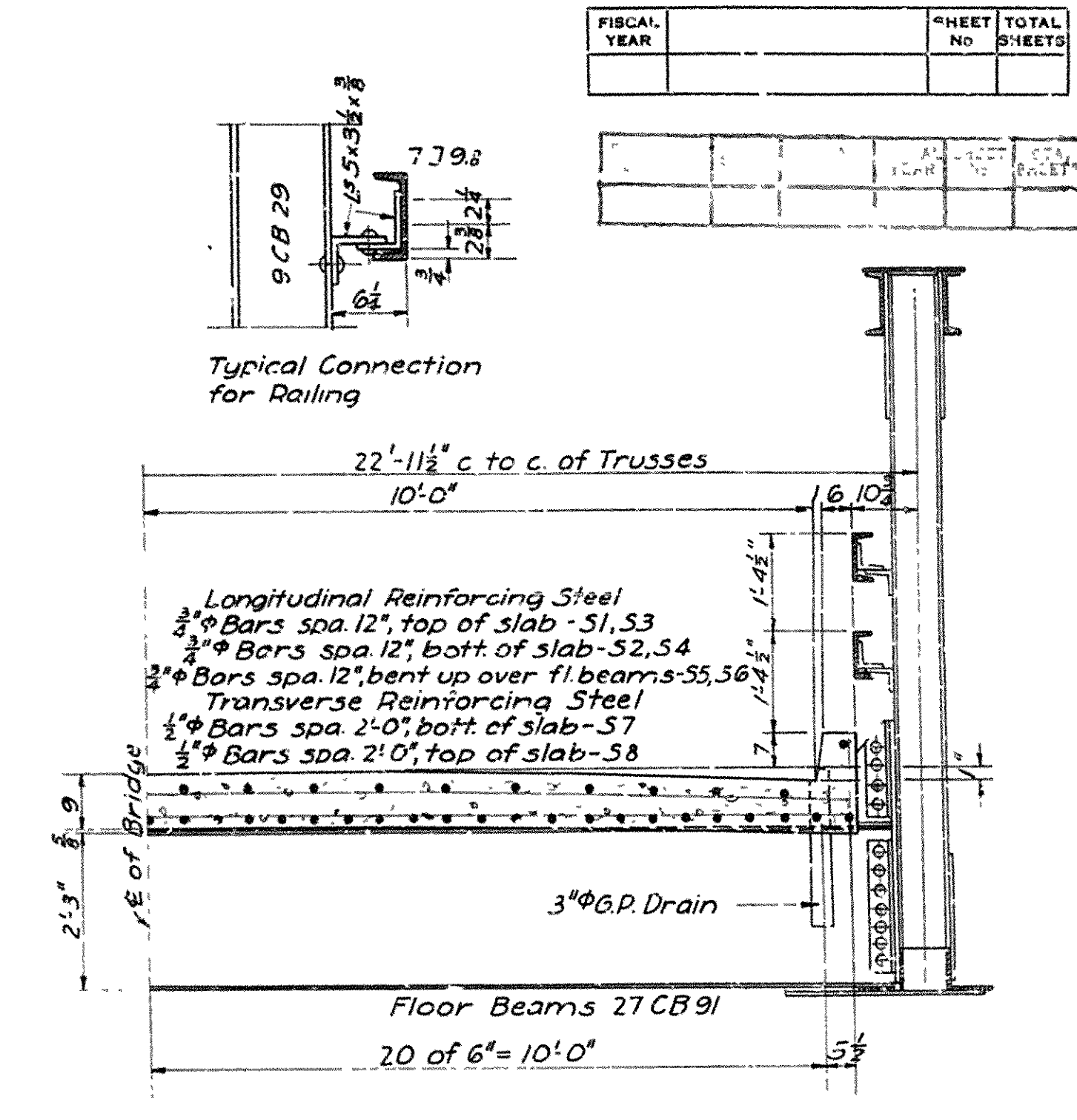
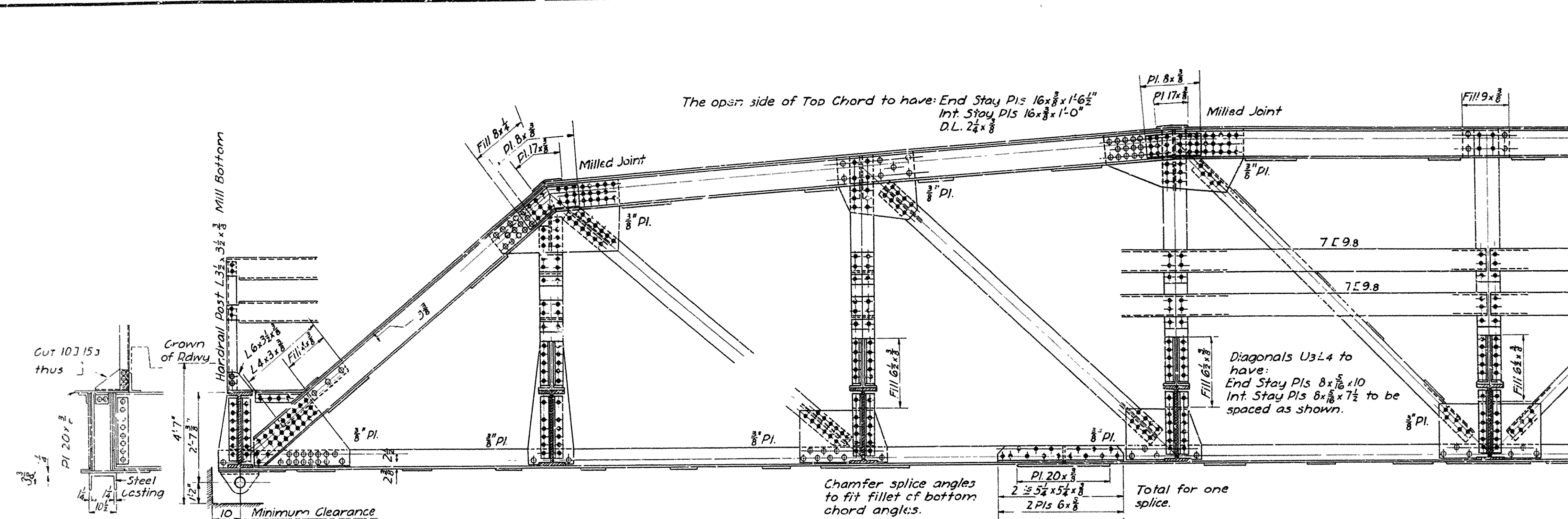


FISCAL YEAR	SHEET NO.	TOTAL SHEETS



**General Notes**

Rivets 3/4", open holes 1 1/8"

All holes in truss connections to be sub-punched 3/16" and reamed to size while truss is assembled. This applies to field and shop rivets.

Floor beams to be sub-punched 3/16" and reamed to a metal template.

All field connections shall be riveted.

Shop paint: After being completely assembled and all shop work finished, all pieces shall be given one coat of red lead and raw linseed oil before shipment.

Field paint: Apply two coats as specified on layout sheet.

Floor slab concrete to be Class "3". One inch has been added for wear.

All floor beams to be milled to exact length after framing angles have been riveted.

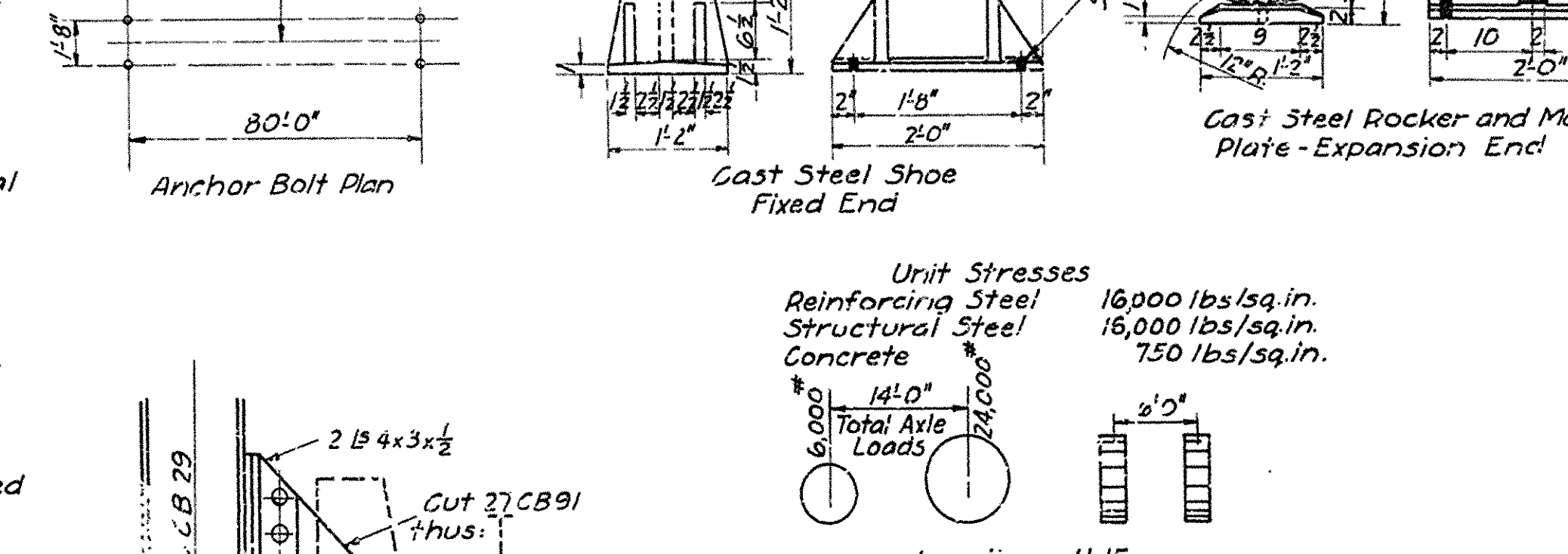
Shapes of equal or greater strength may be substituted for structural shapes shown; payment, however, will be made in accordance with sizes given on plans.

Roadway drains and expansion devices to be paid for as structural steel.

This drawing shows general features of design only. Shop drawings shall be made in compliance with specifications and be approved before fabrication is begun.

All field rivet heads and marred places of shop are to be spot painted with red lead raw linseed oil before first field coat is applied.

Specifications: Arkansas Standard Road and Bridge Specifications, adopted May 30th, 1925 and as revised.



Bar Size	Length	No.	Bending Diagram	Bar Size	Length	No.	Bending Diagram
S7	23'-5 1/2"	40		S5	24'-5"	42	
S1	26'-10"	44		S6	26'-4 1/2"	42	
S2	31'-10"	44					

**Estimated Quantities**

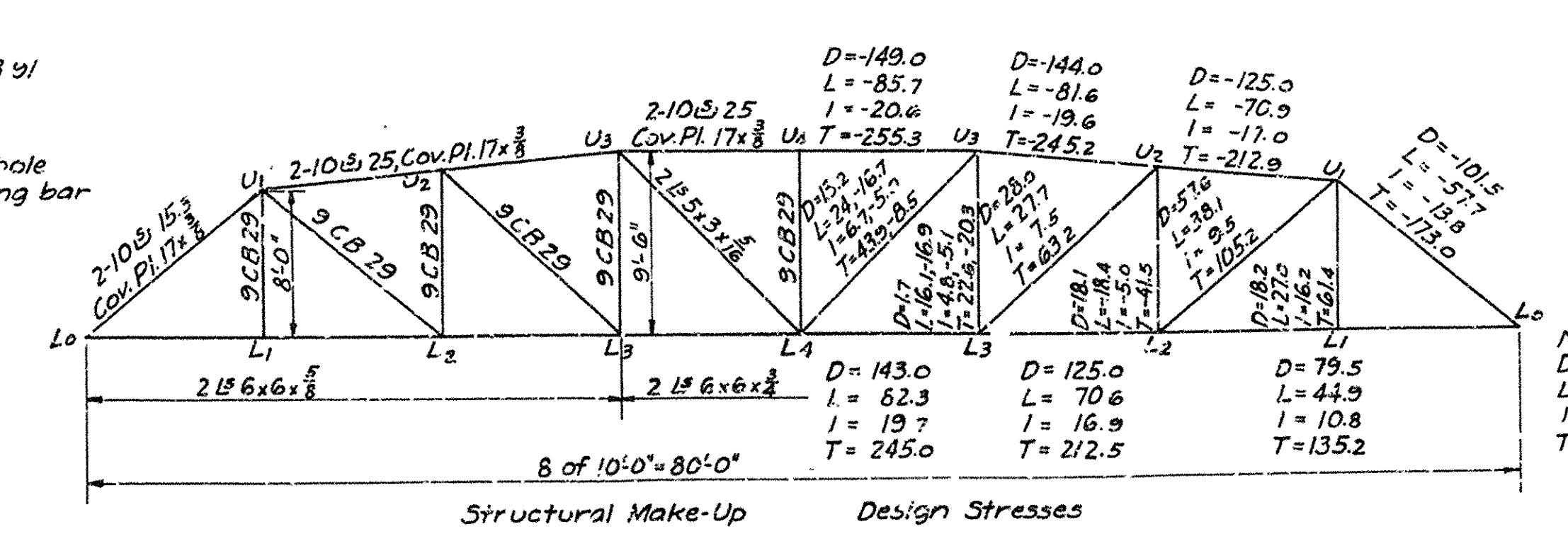
Concrete, Class "3" 49.8 Cu. Yds.

Reinforcing Steel 10,100 Lbs

Structural Steel 63,700 Lbs

Cast Steel and Bronze 1,000 Lbs

Weight of Expansion Devices not included in the above figures.



**STANDARD PLAN**  
**"SPECIAL CLEARANCE"**  
**80'-0" LOW TRUSS SPAN**  
**20'-0" CLEAR ROADWAY**  
**ARKANSAS STATE HIGHWAY COMMISSION**  
LITTLE ROCK, ARK.

Drawn By: A Date: 4-22-31  
Traced By: J Date: 4-27-31  
Checked By: Date: \_\_\_\_\_

Scale: 1/2" = 1'

BRIDGE ENGINEER

BRIDGE NO. \_\_\_\_\_ DRAWING NO. 2413-A