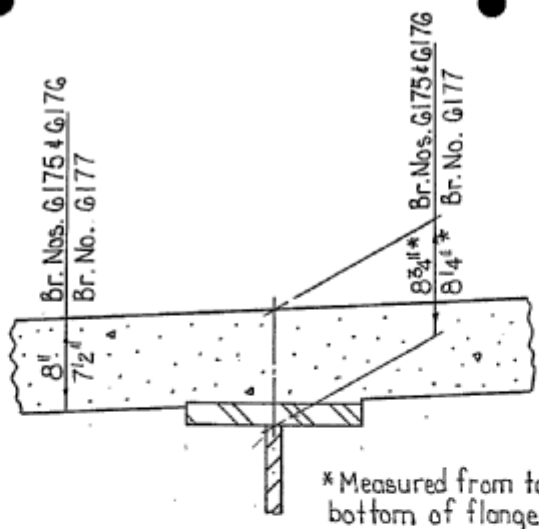


NOTE
gal
FB
D
LHM
KMG
KDL
CEL
CES

12-20-85



* Measured from top of slab to bottom of flange at Bearing

NOTE: IF AFTER ERECTION THE BEAMS ARE NOT WITHIN THE ACCEPTABLE TOLERANCE OF $\pm 1/4"$, THE CONTRACTOR SHALL VARY THE HAUNCH THICKNESS ALONG THE BEAM TO OBTAIN THE SPECIFIED SLAB THICKNESS AND PROFILE GRADELINE. NO ADDITIONAL PAYMENT WILL BE MADE FOR MATERIALS OR WORK REQUIRED TO VARY THE HAUNCH OR FOR THICKENING SLAB $1/4"$.

HAUNCH DETAIL
No Scale