

ARDOT and e-Construction Strategy



Keli Wylie, P.E.

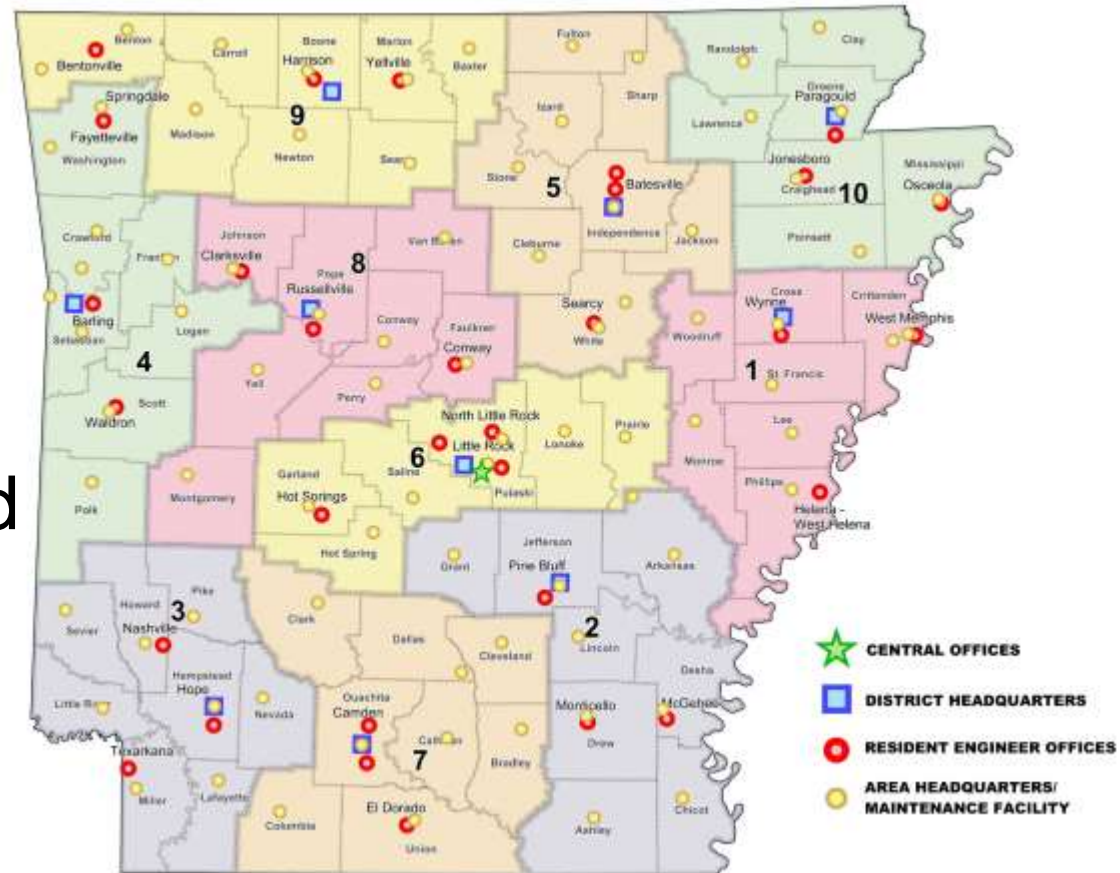
Alternative Project Delivery Administrator

Arkansas Department of Transportation



Arkansas Department of Transportation

- 3rd Largest State Agency (approx. 3,700 employees)
- Maintains 16,465 miles of highway and 7,338 bridges
- 10 District Offices and 31 Resident Engineer Offices



State of Practice (SOP)

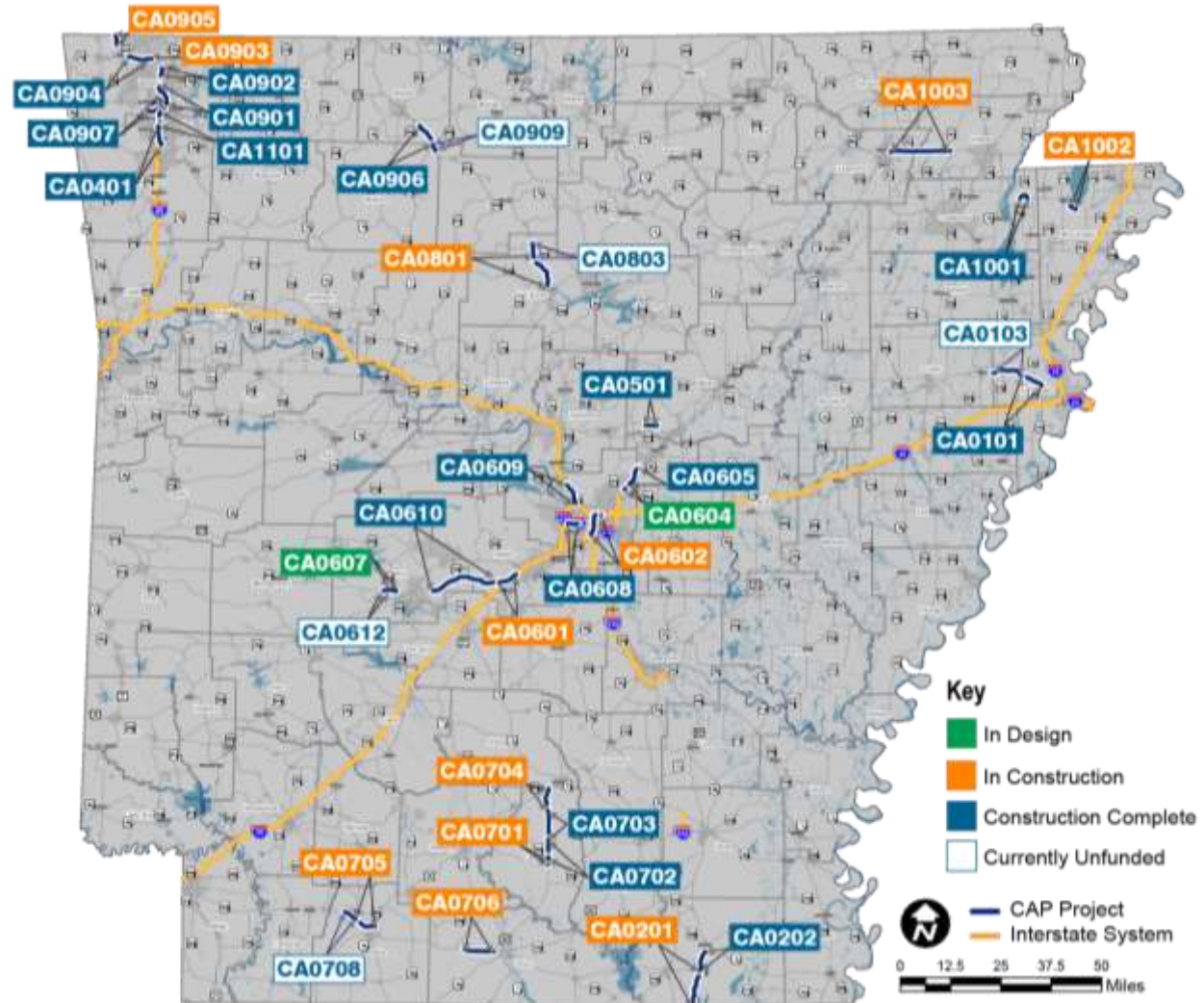
- e-Bidding
 - AASHTOWare Project Bids
 - InfoTech BidX
- Electronic Signatures
 - Doc Express
 - Contract Execution (2015)
 - Supplemental Agreement Execution (2019)
 - Change Order Execution (2020)
- Document Management System
 - **e-Builder (2013)**
 - “Automated” Document Management System for CAP and Alternative Delivery Program
 - Doc Express (2016)
- Construction Management System
 - AASHTOWare Project SiteManager
 - AASHTOWare Project Construction & Materials to replace SiteManager in **2021**

State of Art (SOA)

- e-Ticketing
 - COVID-19
 - “Connex” and “FleetWatcher”
- 3D Models
 - 3D digital terrain models (DTM) provided to potential bidders
 - Not used for wholesale quantity verification purposes

ARDOT Connecting Arkansas Program

- Voter approved in 2012
- Half-Cent Sales Tax expires in June 2023
- More than 30 projects in the program
- Approx. 170 miles of improvements



Graphic Source: ARDOT

e-Builder

- “Automated” Document Management System
 - Filing Cabinet
 - Roles
 - Automated Work Flow
- Web-based platform
- Mobile capability
 - Mobile application/browser
 - VPN
- Electronic signature capability
- Cost/Budget functionality
 - Project budget vs. Work to date
 - Change Orders
- Forms
 - customizable
- Software Cost
 - Implementation Cost - ~\$250,000
 - Annual Cost (unlimited users) - ~\$130,000

e-Builder

“If it’s not in e-Builder – it didn’t happen”

- Communication
 - Email
 - Calendar
- Forms
 - Action Items
- Processes
 - Submittals/Shop Drawings
 - Requests for Information (RFIs)
 - Change Orders
 - Invoices

Documents

Documents for CA0608 Baptist Hospital-University Ave. (Widening) (S); I-630 0 Files Checked Out For Editing

Folders

Expand All | Collapse All | Refresh All

- Documents[9234]
 - 01 Meetings[8]
 - 02 Program Management[538]
 - 03 Preconstruction[3463]
 - 04 Utility Construction[7]
 - 05 Construction[5154]
 - Approvals-Permits[0]
 - Change Orders[108]
 - Communication[3]
 - Construction Documents[80]
 - Correspondence[241]
 - EEO and Labor[1203]
 - Estimates[64]
 - Materials[1254]
 - Meeting Minutes[45]
 - NPDES[115]
 - Photographs[145]
 - Reports[154]
 - Requests for Information[75]
 - Safety[0]
 - Schedules[360]
 - Special Studies[0]
 - Submittals[1249]
 - Testing Reports[54]
 - 10 e-Builder Admin[16]

Documents \ 05 Construction \ Reports \ Traffic Control Inspections Show File Descriptions Show Thumbnails

Upload | Properties | Subscriptions | Copy To Clipboard: Private URL - Email Address

	Name	Date Uploaded	Uploaded By	Company
	2020-06-24_CA0608_TCD_InspectionsWE2020-06-20.msg (version 1) Download (4.0MB) Send Properties Submitted By Christopher Moore (Christopher.Moore@manhattanrb.com) Reviewed by Tate Williams of ARDOT	06.24.20 07:14AM	Emailed In	N/A
	2020-06-16_CA0608_TCD_InspectionsWE2020-06-06, 2020-06-13.msg (version 1) Download (8.2MB) Send Properties Submitted By Christopher Moore (Christopher.Moore@manhattanrb.com) Reviewed by Tate Williams of ARDOT	06.16.20 08:43AM	Emailed In	N/A
	2020-05-29_CA0608_TCD_InspectionsWE2020-03-14 through WE2020-05-23.msg (version 1) Download (46.0MB) Send Properties Submitted By Christopher Moore (Christopher.Moore@manhattanrb.com) Reviewed by Tate Williams of ARDOT	05.29.20 08:27AM	Emailed In	N/A
	2020-05-18_CA0608_TCD_InspectionWE2020-02-15, WE2020-02-22, WE2020-02-29, WE2020-03-07, WE2020-03-11, MarchWeekly, AprilWeekly .msg (version 1) Download (23.5MB) Send Properties Submitted By Christopher Moore (Christopher.Moore@manhattanrb.com) Reviewed by Tate Williams of ARDOT	05.18.20 07:37AM	Emailed In	N/A
	2020-03-01_CA0608_TCD InspectionWE2020-02-15, WE2020-02-22.msg (version 1) Download (19.5MB) Send Properties Submitted By Kelly D. Moore (kdm@kossconstruction.com) Reviewed by Tate Williams of ARDOT	03.01.20 09:58AM	Emailed In	N/A
	2020-02-12_CA0608_TCD InspectionsWE2020-02-08.pdf (version 1) Download (5.4MB) Stamp Send Properties Reviewed by Tate Williams of ARDOT	02.13.20 08:05AM	Tate Williams	ARDOT
	2020-02-12_CA0608_TCD InspectionsWE2020-02-01.pdf (version 1) Download (5.5MB) Stamp Send Properties Reviewed by Tate Williams of ARDOT	02.13.20 08:04AM	Tate Williams	ARDOT
	2020-01-27_CA0608_TCD InspectionsWE2020-01-25.msg (version 1) Download (3.1MB) Send Properties Submitted By Kelly D. Moore (kdm@kossconstruction.com) Reviewed by Tate Williams of ARDOT	01.27.20 10:05AM	Emailed In	N/A

1 - 84 of 84 documents

Image Source: e-Builder Screenshot

Email

Messages

Show All 364 items in 1 pages

Subject	Date Sent	To	CC	Sent By	Delivery Address	Status	# Times Opened*
RE Review - (CA0903) Lane Closures at Bella Vista Bypass beginning Nov. 30	11.19.2020 10:04 AM	Josh King	Multiple..	Lindi Miller	josh.king@ardot.gov	Successful [Resend]	Multiple..
Failed Aggregate Base Course Test (Lot 128)	11.18.2020 4:31 PM	Multiple..	Multiple..	Paul Tierney		Multiple...	Multiple..
CA0903 Signal Certs	11.18.2020 1:07 PM	Multiple..		Brian Powell		Multiple...	Multiple...
CA0903 Signal Submittals	11.18.2020 1:03 PM	Multiple..		Brian Powell		Multiple...	Multiple...
CA0903 - Observation of Holiday	11.18.2020 9:30 AM	Multiple..	Multiple..	Josh King		Multiple...	Multiple..
PIO Draft - (CA0903) Nov. 20,23,24 lane closures for BVB - NR 20-353	11.17.2020 4:30 PM	news@ardot.gov	Multiple..	Lindi Miller	news@ardot.gov	Successful [Resend]	Multiple..
CA0903 - Response to RFI 67 - Revised Deck Pour Sequence	11.17.2020 3:27 PM	Multiple..	Multiple..	Josh King		Multiple...	Multiple..
RE Review - (CA0903) Lane Closures at Bella Vista Bypass beginning Nov. 20	11.17.2020 9:08 AM	Josh King	Multiple..	Lindi Miller	josh.king@ardot.gov	Successful [Resend]	Multiple..
CA0903 - Signed Copy of SWPPP Report #55	11.12.2020 11:43 AM	Paul Tierney	Multiple..	Josh King	paul.tierney@emerysapp.com	Successful [Resend]	Multiple..
CA0903 - Summary of time charges	11.09.2020 4:51 PM	Multiple..	Bashar Qedan	Josh King		Multiple...	Multiple..

Image Source: e-Builder Screenshot

Calendar

Calendar

All Calendar Events Edit | Add View All Projects

Month Week **Work Week** Day Upcoming Events Add Event

< > Today **November 23 - November 27**

	Mon, Nov 23	Tue, Nov 24	Wed, Nov 25	Thu, Nov 26	Fri, Nov 27
all day					
8 am				8:30 AM Progress Meeting - 3401 West 65th Street, Little Rock, AR 72209	
9 am				9:30 AM CA0903 Progress Meeting -	10:00 AM CA1003 Bi-Weekly
10 am					
11 am	11:00 AM Project Updates Meeting - CAP Conference Room				
12 pm					
1 pm			1:00 PM CA0903 Schedule Update Meeting - ESS CA0903 Field Office, 4 McKissic Creek Rd,		
2 pm					
3 pm					
4 pm					
5 pm					

Show 24 hours...

Image Source: e-Builder Screenshot

Action Items

Workflow and Static Forms

Page 1 of 2 Show 25

Subject					
Prefix	#	Author	Held By	Due Date	Status
ACTION ITEM : PREMIER CONCRETE MIX DESIGN TRANSFE					
	36	Brian McMillian McGeorge Contracting	William Hockaday ARDOT	11.13.2020	4.4d late
ACTION ITEM : NOTICE OF POTENTIAL IMPACT - PREBORING PILING					
	35	Anthony Jones McGeorge Contracting	William Hockaday ARDOT	11.20.2020	0.6d early
ACTION ITEM : NOTICE OF POTENTIAL IMPACT - UNDERGROUND UTILITIES					
	34	Anthony Jones McGeorge Contracting	William Hockaday ARDOT	11.20.2020	0.6d early
ACTION ITEM : PILE HAMMER SUBMITTAL NO. 2					
	33	Brian McMillian McGeorge Contracting	William Hockaday ARDOT	11.03.2020	12.4d late
ACTION ITEM : CA0704 B3 TEST PILE 3 CERTIFICATION					
	32	Anthony Jones McGeorge Contracting	William Hockaday ARDOT	11.13.2020	4.4d late

Image Source: e-Builder Screenshot

Submittals

Processes Reports (0)

Print Log

<input type="checkbox"/>	Process	Subject	Step	Responsible Actors	Process Age ▲	In Step Since	Status
<input type="checkbox"/>	SUBMT - 311	Concrete Mix Design_Request to Transfer	S2 - RE Review	Mark Asher, Aaron Peck	6	11.13.2020	Submitted
<input type="checkbox"/>	SUBMT - 310	Trackless Tack	S6 - RE Forward	Mark Asher, Aaron Peck	10	11.17.2020	Pending
<input type="checkbox"/>	SUBMT - 309	Temp Wire Walls	S4 - Review Team	Azad Shahriar	13	11.10.2020	Pending
<input type="checkbox"/>	SUBMT - 305	Shop Drawings - Permanent Metal Decking	S7 - Contractor Feedback Review	Suzanne Wissel	44	10.19.2020	Completed
<input type="checkbox"/>	SUBMT - 302	CSL Test Report and Drilled Shaft Log Record	S4 - Review Team	John Ruddell, Stephen Smiley, Kyle Yeary	56	10.30.2020	Pending
<input type="checkbox"/>	SUBMT - 299	CSL Test Report and Drilled Shaft Log Record	S2 - RE Review	Mark Asher, Aaron Peck	59	11.18.2020	Submitted
<input type="checkbox"/>	SUBMT - 298	Profile Grades - Bridge B7424	S2 - RE Review	Mark Asher, Aaron Peck	64	09.16.2020	Submitted
<input type="checkbox"/>	SUBMT - 296	Drilled Shaft Installation Plan	S2 - RE Review	Mark Asher, Aaron Peck	79	10.07.2020	Submitted
<input type="checkbox"/>	SUBMT - 284	CSL Test Report and Drilled Shaft Log Record	S2 - RE Review	Mark Asher, Aaron Peck	99	11.18.2020	Submitted

Image Source: e-Builder Screenshot

RFIs

Processes Reports (0)

Print Log

1 Show 25

<input type="checkbox"/>	Process	Subject	Step	Responsible Actors	Process Age ▲	In Step Since	Status
<input type="checkbox"/>	RFI - 123	NOI - Differing Site Conditions - Asphalt	S2-RE Review	Mark Asher, Aaron Peck	9	11.10.2020	Submitted
<input type="checkbox"/>	RFI - 122	PCCP Patching repair	S4-Review Team	Dwayne Cale	10	11.16.2020	Pending
<input type="checkbox"/>	RFI - 121	Temporary ACHM Widening	S4-Review Team	Dwayne Cale	14	11.19.2020	Pending
<input type="checkbox"/>	RFI - 119	Notice of Impact - Asphalt Removal 274+39-268+29	S2-RE Review	Mark Asher, Aaron Peck	15	11.04.2020	Submitted
<input type="checkbox"/>	RFI - 117	Detour HWY 67 Box Culvert STA 399+78	S7-GC Acknowledge2	Isaac Martinez	20	11.10.2020	Pending
<input type="checkbox"/>	RFI - 116	Replacement of damaged Variable Message Sign	S6-RE Review & Respond	Mark Asher, Aaron Peck	23	11.02.2020	Pending
<input type="checkbox"/>	RFI - 113	Notice of Impact Letter - V Line J&B Sta. 202+99	S2a-GC Acknowledge	Suzanne Wissel	35	10.19.2020	Pending
<input type="checkbox"/>	RFI - 112	Temp. ACHM Widening.	S2a-GC Acknowledge	Suzanne Wissel	37	10.20.2020	Pending
<input type="checkbox"/>	RFI - 109	Notice of Impact - Unforeseen Site Conditions - Shoulder/Main Lane Removals (Ref NOI from June 2019)	S2-RE Review	Mark Asher, Aaron Peck	51	09.29.2020	Submitted
<input type="checkbox"/>	RFI - 106	Rumble Strip Eradication and Traffic Shift (Reference RFI #80 and #90)	S2a-GC Acknowledge	Suzanne Wissel	77	10.19.2020	Pending
<input type="checkbox"/>	RFI - 91	Line Z11	S6-RE Review & Respond	Mark Asher, Aaron Peck	153	10.01.2020	Pending
<input type="checkbox"/>	RFI - 75	Soil Stabilization Frontage Road "B"	S2a-GC Acknowledge	Suzanne Wissel	216	11.02.2020	Pending

1 Show 25

Image Source: e-Builder Screenshot

RFIs

Request for Information (RFI) - 121

Print Copy Comment Cancel

Project:	CA0601 Hwy.70-Sevier St. Widening) (F)	Overall Due Date:	
Process Document:	RFI - 121 Show History Current Actors	Step Due Date:	
Current Workflow Step:	S4-Review Team Show Workflow Diagram		
Subject:	Temporary ACHM Widening		
Status:	Pending		

Details **Comments (7)** Attached Documents (2) Attached Processes (0) Attached Forms (0) Attached To (0)

Request Comment Comment

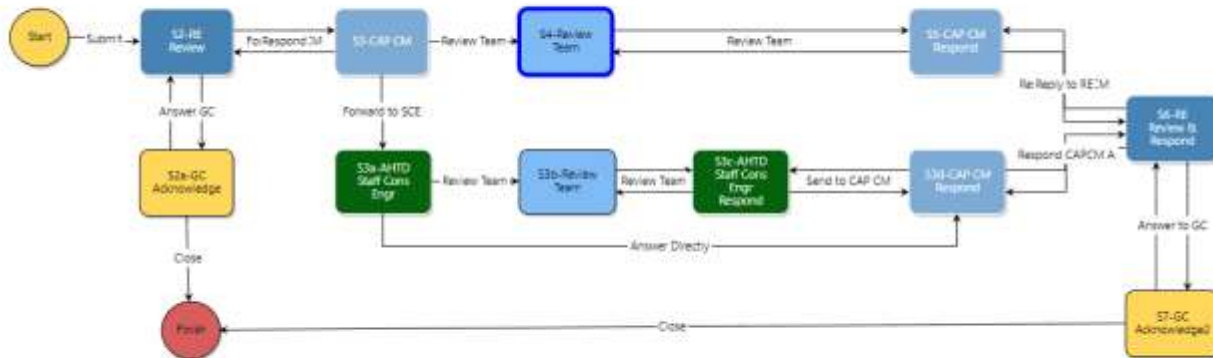
Private Comment

Make Public Dwayne.

RFI - 121

Graphical View

Print Cancel



Dan Burnett, Garver, 11.19.2020 8:04 AM

Temporary pavement on project BB0602. This is required on the project. Our project (item) in lieu of the planned temporary pavement. The contractor is not interested in being involved in the temporary PCCP. Unable to determine the reinforcing requirements. Not address the reinforcing requirements.

Shahriar, Bridgefarmer, 11.16.2020 1:06 PM

Additional temporary pavement section shown on drawing with calculations along I-30 immediately

Image Source: e-Builder Screenshot

Change Orders

Documents \ 05 Construction \ Change Orders \ Executed \ RE Authorized Changes Show File Descriptions Show Thumbnails

Upload | Properties | Subscriptions | Copy To Clipboard: Private URL

Name	Date Uploaded	Uploaded By	Company
Delete Move Copy Download Check Out Send Fill Out Form Compare Page 1 of 1 Show 1000 per page			
CA0601_CO_RE034forRandDPipe Culvert.pdf (version 1) Download (118.2KB) Stamp Send Properties	11.18.20 03:16PM	Catherine Clarida	Jacobs
CA0601_CO_RE033for30INTemporaryCulvert.pdf (version 1) Download (115.2KB) Stamp Send Properties	11.18.20 03:15PM	Catherine Clarida	Jacobs
CA0601_CO_RE030forConsTemp Ramp1Hwy70.pdf (version 1) Download (120.0KB) Stamp Send Properties	11.18.20 03:10PM	Catherine Clarida	Jacobs
CA0601_CO_RE029DrilledShaftsandPileEncasement.pdf (version 1) Download (179.5KB) Stamp Send Properties	11.18.20 03:09PM	Catherine Clarida	Jacobs
CA0601_CO_RE028forAddSignsBarricadesSevierSt.pdf (version 1) Download (124.5KB) Stamp Send Properties	11.18.20 03:07PM	Catherine Clarida	Jacobs
CA0601_CO_RE27RandDofWRSF.pdf (version 1) Download (21.6KB) Stamp Send Properties	11.18.20 03:05PM	Catherine Clarida	Jacobs
CA0601_CO_RE025forDamagedPortableCameraTrailer.pdf (version 1) Download (851.8KB) Stamp Send Properties	12.06.19 08:32AM	Kenneth Shirley	Jacobs
CA0601_CO_RE024for18TempCulvat229FrRdB.pdf (version 1) Download (418.2KB) Stamp Send Properties	11.15.19 10:13AM	Kenneth Shirley	Jacobs
CA0601_CO_RE023for RnDCurbnGutterNo3.pdf (version 1) Download (266.3KB) Stamp Send Properties	11.14.19 04:10PM	Kenneth Shirley	Jacobs
CA0601_CO_RE022forUnclExcav229Ridgeline.pdf (version 2) Download (263.9KB) Stamp Send Properties	11.12.19 03:20PM	Kenneth Shirley	Jacobs
CA0601_CO_RE021forDrilledShaftsatA7413-01.pdf (version 1) Download (253.2KB) Stamp Send Properties	11.12.19 12:26PM	Kenneth Shirley	Jacobs
CA0601_CO_RE020for18TempCulvert70Rp2Sta23347.pdf (version 1) Download (408.3KB) Stamp Send Properties	11.12.19 12:26PM	Kenneth Shirley	Jacobs
CA0601_CO_RE019forRnDConcSlab493RtPart1.pdf (version 1) Download (155.1KB) Stamp Send Properties	11.12.19 12:25PM	Kenneth Shirley	Jacobs
CA0601_CO_RE018forTIABDamagedat29702Left.pdf (version 1) Download (325.5KB) Stamp Send Properties	10.16.19 09:55AM	Kenneth Shirley	Jacobs

1 - 44 of 44 documents

Image Source: e-Builder Screenshot

Invoice Tracking

Data Field	Edit User	Edit Date-	Old Value	New Value
Subject	Chad Thompson	09/24/2020 10:07AM		JAC001 07/25/2020-08/21/2020 - CEI
AWTD Comments on this Invoice?	Chad Thompson	09/24/2020 10:07AM		No
Invoice Period From	Chad Thompson	09/24/2020 10:07AM		07/25/2020
Invoice Period To	Chad Thompson	09/24/2020 10:07AM		08/21/2020
Invoice with Backup Documentation	Chad Thompson	09/24/2020 10:07AM		CA0601_JACOBS_30.pdf
Is this the final invoice for Title ID?	Chad Thompson	09/24/2020 10:07AM		No
Percent CEI Contract Used To-Date	Chad Thompson	09/24/2020 10:07AM		45.77
Percent Contract Time Used To-Date	Chad Thompson	09/24/2020 10:07AM		45.77
Percent Contractor Complete	Chad Thompson	09/24/2020 10:07AM		45.77
Vendor Invoice Number	Chad Thompson	09/24/2020 10:07AM		CA0601_JACOBS_30
Notes	Chad Thompson	09/24/2020 10:07AM		Initial submission of invoice
Contract Closeout Complete	Kevin Stotts	09/28/2020 11:14AM		No
Notes	Kevin Stotts	09/28/2020 11:15AM	Initial submission of invoice	The PM Cost is routing this invoice to you.
Review Team Feedback	Kevin Stotts	09/28/2020 11:18AM		
Notes	Earl Matt	10/07/2020 12:21PM	The PM Cost is routing this invoice to you.	The CMP PM is asking you to revise this CEI Invoice
Contract Manager Revision Comments	Kevin Stotts	10/08/2020 11:06AM		Completed review of the invoice. Couple things - on Jacobs portion, the mileage total for Matthew Horvath is showing 1,216 @ .33 = \$401.28 but after checking the total I am getting is 1,234 @ .33 = \$411.82. Double check the mileage total. Double check the Wage rates for Rabbury Per SA 2 - Survey Act (not person) - max rate being \$12 vs \$13 on the invoice. Clerical - max rate being \$18 vs \$20 on the invoice.
Notes	Kevin Stotts	10/08/2020 11:09AM	The CMP PM is asking you to revise this CEI Invoice	
Notes	Chad Thompson	11/18/2020 03:48PM		Invoice Has Been Resubmitted
Infactor Comments	Chad Thompson	11/18/2020 03:48PM		I have updated mileage for Horvath. Rabbury revised invoice @ Corrected rate for Clerical \$18 @ Corrected job title from Survey Aid to Survey Tech
Invoice with Backup Documentation	Chad Thompson	11/18/2020 03:48PM	CA0601_JACOBS_30.pdf	CA0601_JACOBS_30R.pdf

Image Source: e-Builder Screenshot

Utility Invoicing workflow diagram

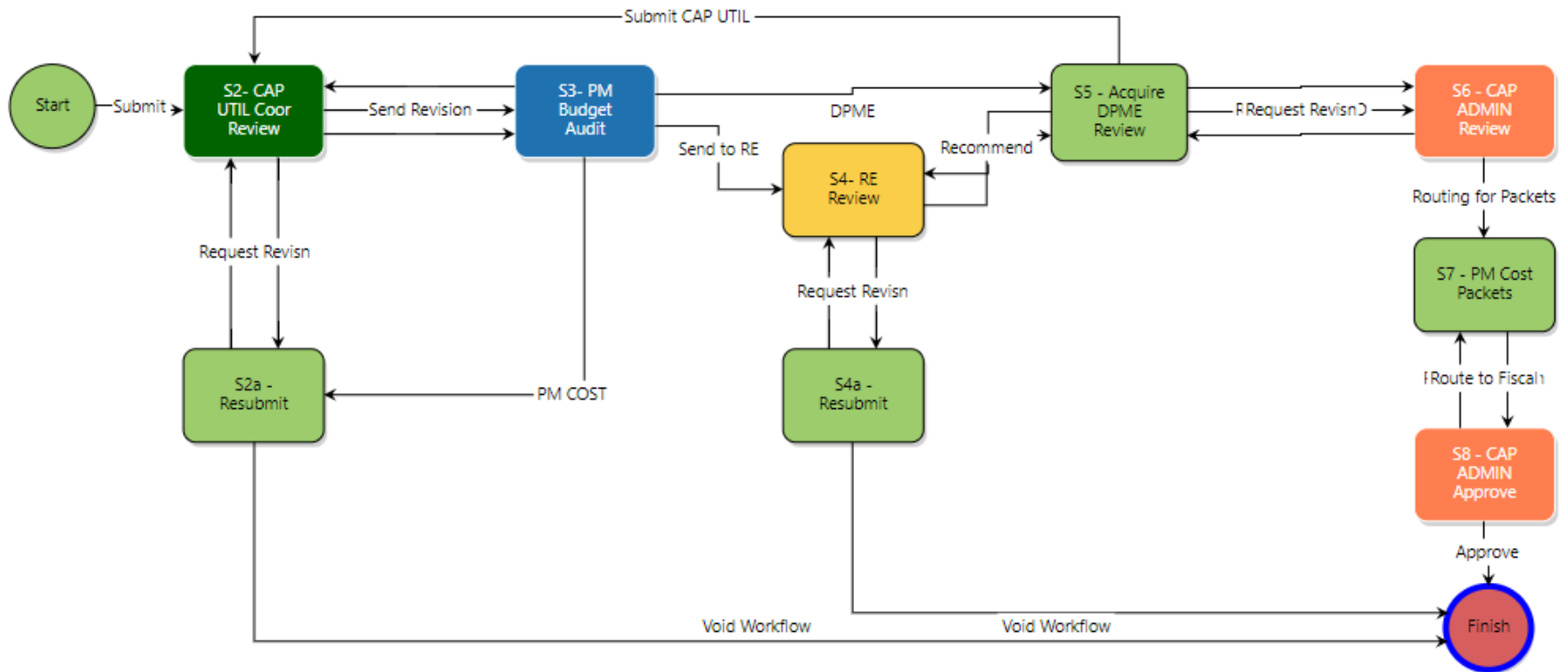


Image Source: e-Builder Screenshot

Questions?

Contact information:

Keli Wylie, P.E.

Alternative Project Delivery Administrator

keli.wylie@ardot.gov

(501) 569-2247